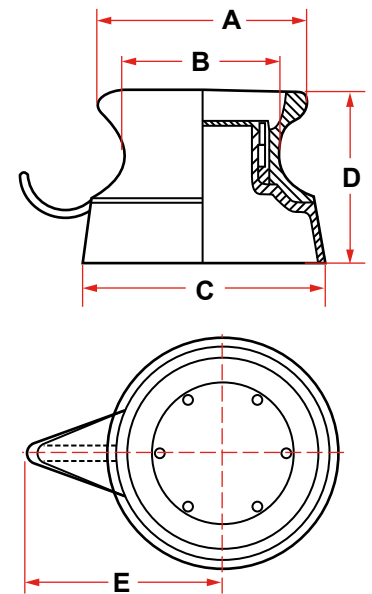
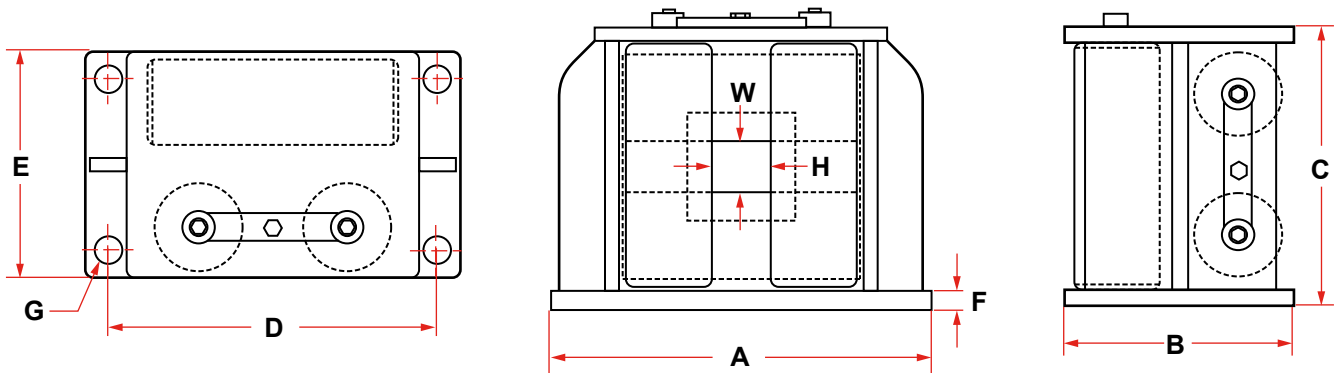


PEDESTAL FAIRLEADERS

MODEL NO.	MAX WIRE SIZE	WIRE BREAKING STRENGTH (LBS)	DIMENSIONS (INCHES)					WEIGHT (LBS)
			A	B	C	D	E	
PFH-10	3/4	58800	14	10	18	16	15	300
PFH-12	1	103400	16	12	20	16	16	350
PFH-14	1-3/8	192000	19	14	23	16-3/4	19-5/16	480
PFH-16	1-3/8	192000	20-1/2	16	24	18-1/4	19-13/16	600
PFH-18	1-1/2	288000	24	18	28	19	21	890
PFH-24	2	396000	30	24	36	27	24-1/2	1700



ROLLER FAIRLEADERS

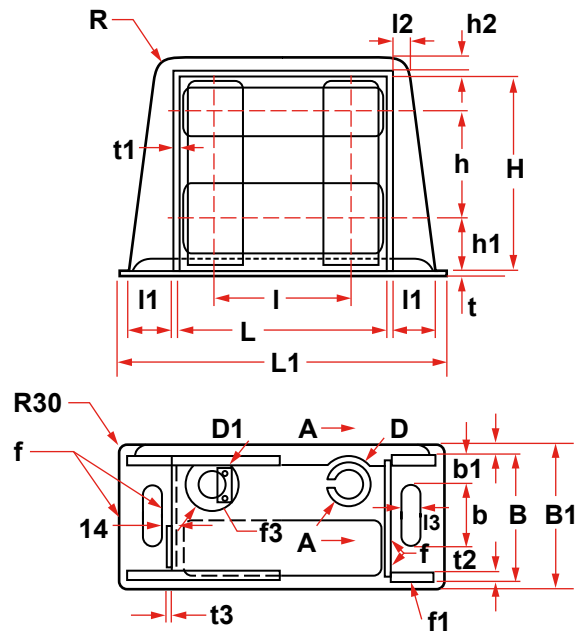


MODEL NO.	DIMENSIONS (INCHES)											NO. BOLT HOLES	LBS.	
	WIRE ROPER SIZE	VERTICAL ROLLER	HORIZONTAL ROLLER	OPENING W X H	A	B	C	D	E	F	G			ROLLER PIN
RF-0	5/16 to 3/8	2.25 x 6.50	2.25 x 6.50	2.25 x 2.25	12.000	5.250	8.188	10.250	3.875	0.500	25/32	1.000	4	52
RF-1	1/2 to 7/8	4 x 11.375	4 x 11.375	2.75 x 2.75	17.500	10.500	13.125	15.000	8.000	0.750	1.063	1.375	4	235
RF-2	1 to 1-1/4	6 x 15.375	5.00 x 11.00	5.00 x 4.00	26.000	17.000	18.500	22.000	12.500	1.125	1.531	1.500	4	700
RF-3	1-3/4	8.00 x 22.50	8 x 22.50	6.5 x 6.5	36.750	23.000	27.125	31.000	8.000	1.500	1.813	3.000	6	2400

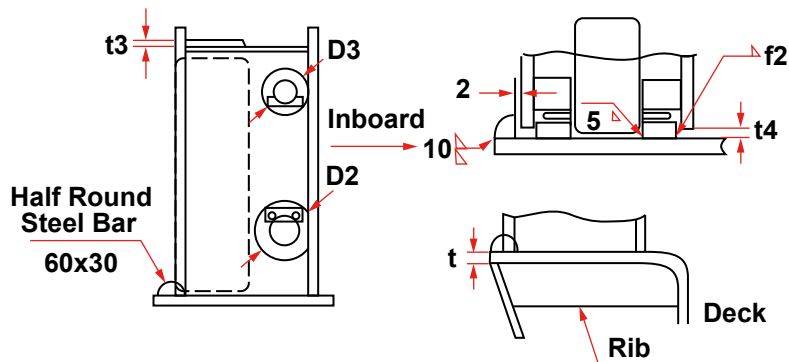
MODEL NO.	DIMENSIONS (MM)											NO. BOLT HOLES	KGS	
	WIRE ROPER SIZE	VERTICAL ROLLER	HORIZONTAL ROLLER	OPENING W X H	A	B	C	D	E	F	G			ROLLER PIN
RF-0	8 to 10	57 x 165	57 x 165	57 x 57	305	133	208	260	98	13	20	25	4	24
RF-1	12 to 22	102 x 289	102 x 289	70 x 70	444	267	333	381	203	19	27	35	4	107
RF-2	25 to 32	152 x 391	127 x 279	127 x 102	660	432	470	559	318	29	39	38	4	318
RF-3	44	203 x 572	203 x 572	165 x 165	933	584	689	787	203	38	46	76	6	1089

Larger sizes available upon request.

4-ROLLER FAIRLEAD IMPORT (JIS F-2026)



NOMINAL DIA.	FRAME																		SWL (TON)
	B	B1	B	B1	B2	D	D1	D2	D3	H	H	H1	H2	L	L1	I	I1	I2	
140	310	355	150	69	20	90	140	120	80	480	275	130	40	515	805	335	120	60	12
160	360	405	175	82	22	110	160	140	90	515	290	145	45	570	890	365	135	65	14
180	410	455	200	95	24	135	180	150	100	560	315	155	50	625	950	390	145	70	16
200	460	505	225	108	26	160	200	150	110	590	330	170	60	675	1049	420	160	80	25
250	565	510	280	133	30	200	250	200	130	715	415	195	75	820	1303	520	210	105	38
315	670	715	330	159	34	240	300	200	150	870	520	220	90	980	1562	520	260	130	45



NOMINAL DIA.	FRAME							LEG OF WELD					WIRE ROPE DIA.	OPENING DIA. LONG X WIDE	REFERENCE MASS (KG)
	I3	I4	R	T	T1	T2	T3	F	F1	F2	F3	F4			
140	50	20	40	12	10	16	6	20	9	6	12	4	18	145 x 195	187
160	50	20	45	14	10	18	9	22	9	7	12	6	22.4	150 x 220	277
180	50	20	50	16	10	20	10	24	9	9	12	8	25	150 x 199	387
200	50	20	60	18	12	22	10	26	10	10	14	8	28	152 x 204	510
250	50	25	75	20	14	26	12	30	10	12	14	10	35.5	199 x 253	900
315	50	25	90	22	16	30	14	34	12	14	16	10	42.5	253 x 302	1232