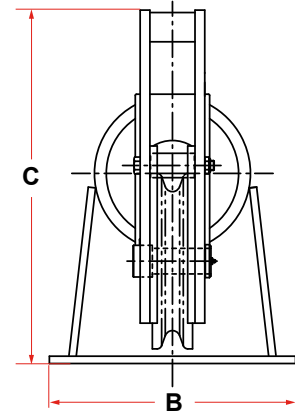
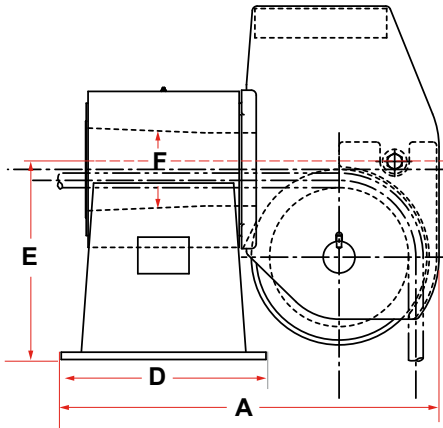


DECK-MOUNTED BALANCED HEAD FAIRLEADERS



600 SERIES



| MODEL NO. | MAX WIRE SIZE | WIRE BREAKING STRENGTH (LBS) | SHEAVE THREAD DIA. | DIMENSIONS (INCHES) | | | | | | WEIGHT (LBS) |
|-----------|---------------|------------------------------|--------------------|---------------------|--------|----------|--------|--------|--------|--------------|
| | | | | A | B | C | D | E | F | |
| MD-610 | 3/4 | 58800 | 8-1/4 | 23-11/16 | 16 | 20-1/8 | 14-3/4 | 11 | 4-1/2 | 270 |
| MD-612 | 1 | 103400 | 9-3/4 | 28-3/16 | 19-1/4 | 24-5/8 | 17-3/4 | 13-1/2 | 5-5/8 | 495 |
| MD-614 | 1-1/4 | 159800 | 11-1/4 | 30-9/16 | 20 | 28-1/8 | 18-1/2 | 15-1/2 | 6-5/16 | 670 |
| MD-618 | 1-1/2 | 228000 | 14-1/4 | 38-1/8 | 25-1/4 | 36-1/4 | 21 | 19-1/2 | 8-1/2 | 1450 |
| MD-622 | 1-3/4 | 266000 | 18-1/2 | 45-1/8 | 28-1/2 | 45-1/2 | 22 | 23-1/2 | 9-1/2 | 2100 |
| MD-624 | 2 | 344000 | 20 | 50-1/8 | 30 | 44-13/16 | 27 | 25-1/2 | 12 | 2650 |
| MD-630 | 2-1/4 | 494000 | 24-7/8 | 56-7/8 | 40-1/4 | 60-3/4 | 27-1/2 | 31-1/2 | 13 | 4800 |
| MD-636 | 2-1/2 | 524000 | 30 | 63 | 40 | 70-1/4 | 27-1/2 | 36-1/4 | 14-1/2 | 6000 |
| MD-652 | 3 | 818000 | 44 | 103-1/2 | 52-3/8 | 104 | 44 | 34-1/2 | 26-1/2 | 16500 |
| MD-665 | 3 | 818000 | 55-1/2 | 115-5/8 | 52-3/8 | 117-1/2 | 44 | 34-1/2 | 26-1/2 | 18800 |

STANDARD FEATURES

- Designed for Breaking Strength of EIPS-IWRC Wire Rope with 90° Wrap on the Sheave and 180° Rotation of Swivelhead
- Cast Steel Sheave with Hardened Rope Groove for Longer Life
- Sealed Grease Lubricated Tapered Roller Bearings in Sheave and Swivelhead
- Weld Down Mounting Base
- Removable Guide Roller
- Epoxy Primer Coating

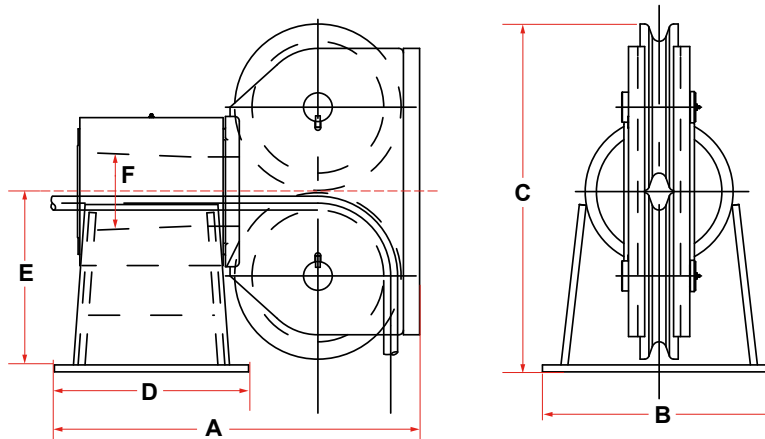
OPTIONAL FEATURES

- Customized Design to Suit Your Application
- Tail Sheaves / Tail Rollers
- Stainless Steel or Nylon Sheaves
- Bolt Down Mounting Base
- Load Monitoring System
- Three Coat Marine Paint System
- Third Party Certification

DECK-MOUNTED DOUBLE SHEAVE FAIRLEADERS



2600 SERIES



| MODEL NO. | MAX WIRE SIZE | WIRE BREAKING STRENGTH (LBS) | SHEAVE THREAD DIA. | DIMENSIONS (INCHES) | | | | | | WEIGHT (LBS) |
|-----------|---------------|------------------------------|--------------------|---------------------|--------|---------|--------|--------|--------|--------------|
| | | | | A | B | C | D | E | F | |
| MD-2610 | 3/4 | 58800 | 8-1/4 | 24-11/16 | 16 | 22 | 14-3/4 | 11 | 4-1/2 | 280 |
| MD-2612 | 1 | 103400 | 9-3/4 | 29-13/16 | 19-1/4 | 25 | 17-3/4 | 13-1/2 | 5-5/8 | 520 |
| MD-2614 | 1-1/4 | 159800 | 11-1/4 | 31-9/16 | 20 | 29 | 18-1/2 | 15-1/2 | 6-5/16 | 700 |
| MD-2618 | 1-1/2 | 228000 | 14-1/4 | 39-1/8 | 25-1/4 | 37-5/8 | 21 | 19-1/2 | 8-1/2 | 1500 |
| MD-2622 | 1-3/4 | 266000 | 18-1/2 | 46-1/8 | 28-1/2 | 48 | 22 | 23-1/2 | 9-1/2 | 2200 |
| MD-2624 | 2 | 344000 | 20 | 51-1/8 | 30 | 49-5/8 | 27 | 25-1/2 | 12 | 2800 |
| MD-2630 | 2-1/4 | 494000 | 24-7/8 | 57-7/8 | 40-1/4 | 61-5/8 | 27-1/2 | 31-1/2 | 13 | 5020 |
| MD-2636 | 2-1/2 | 524000 | 30 | 64 | 40 | 72-5/8 | 27-1/2 | 36-1/4 | 14-1/2 | 6270 |
| MD-2652 | 3 | 818000 | 44 | 104 | 52-3/8 | 105-5/8 | 44 | 34-1/2 | 26-1/2 | 17200 |
| MD-2665 | 3 | 818000 | 55-1/2 | 117 | 52-3/8 | 130-5/8 | 44 | 34-1/2 | 26-1/2 | 19650 |

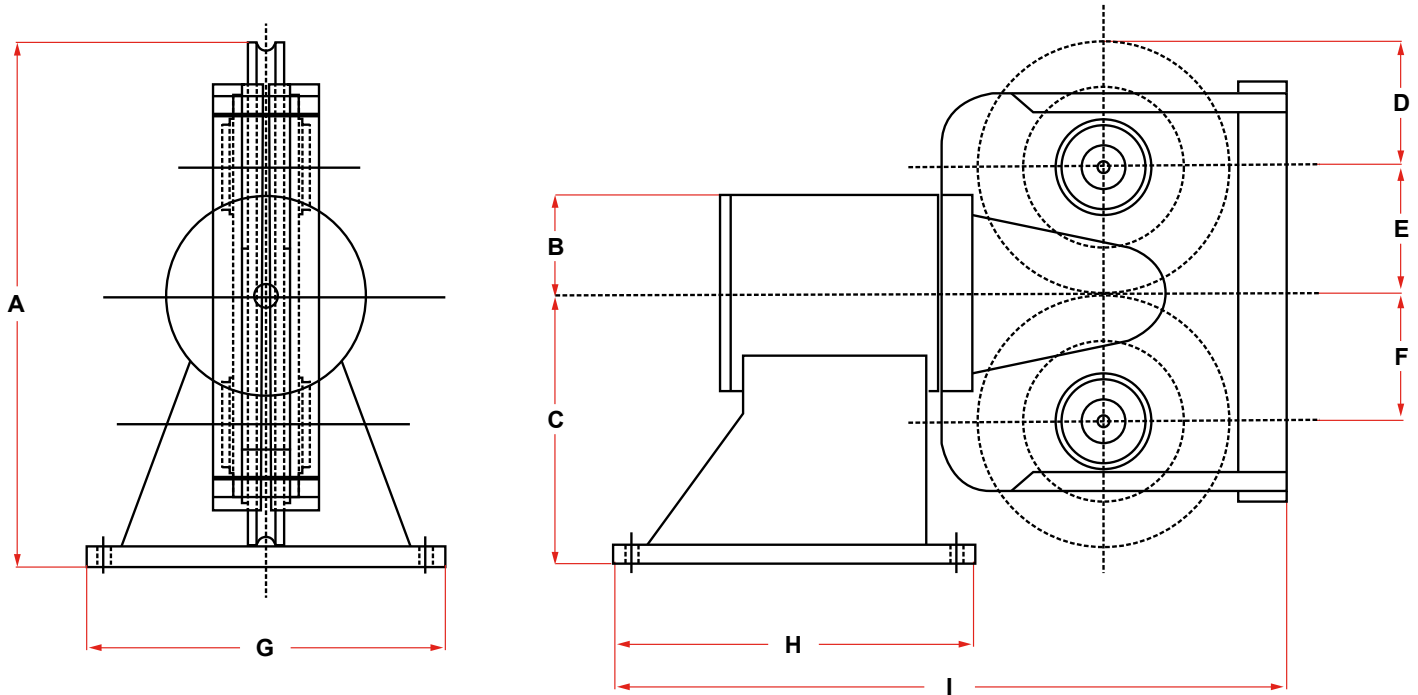
STANDARD FEATURES

- Designed for Breaking Strength of EIPS-IWRC Wire Rope with 90° Wrap on the Sheave and 180° Rotation of Swivelhead
- Cast Steel Sheaves with Hardened Rope Grooves for Longer Life
- Sealed Grease Lubricated Tapered Roller Bearings in Sheaves and Swivelhead
- Weld Down Mounting Base
- Removable Guide Roller
- Epoxy Primer Coating

OPTIONAL FEATURES

- Customized Design to Suit Your Application
- Tail Sheaves / Tail Rollers
- Stainless Steel or Nylon Sheaves
- Bolt Down Mounting Base
- Load Monitoring System
- Three Coat Marine Paint System
- Third Party Certification

IMPORTED DOUBLE SHEAVE BALANCED HEAD FAIRLEAD



| SIZE (IN) | DIMENSIONS (MM) | | | | | | | | | WEIGHT (KG) |
|--------------|-----------------|-----|-----|-----|-------|-------|-----|-----|-------|----------------|
| | A | B | C | D | E | F | G | H | I | |
| 1 | 531 | 100 | 275 | 127 | 129 | 129 | 365 | 365 | 679 | 195 |
| 1-1/4 | 667 | 127 | 365 | 150 | 152.5 | 152.5 | 660 | 508 | 920 | 495 |
| 1-1/2 | 867 | 178 | 459 | 205 | 205 | 205 | 760 | 760 | 1,280 | 1,080 |