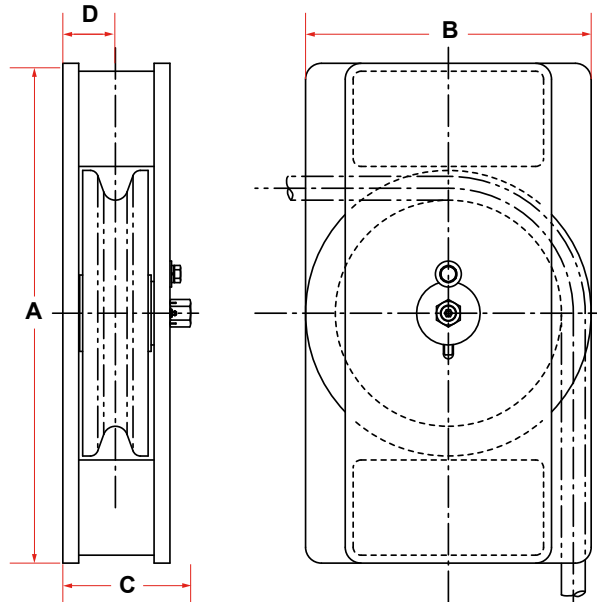


HORIZONTAL GUIDE SHEAVES



1200 SERIES



MODEL NO.	MAX WIRE SIZE	WIRE BREAKING STRENGTH (LBS)	SHEVE THREAD DIA.	DIMENSIONS (INCHES)				WEIGHT (LBS)
				A	B	C	D	
MD-1210	3/4	58800	8-1/2	17	11	5-1/2	2-3/16	85
MD-1212	1	89800	10	19	12	6-1/2	2-3/4	150
MD-1214	1-1/4	159800	11-7/16	21	14	7	2-3/4	200
MD-1218	1-1/2	228000	14-1/4	31-1/2	18	8	3-5/16	450
MD-1222	1-3/4	266000	18-1/2	41	22	8-1/2	3-1/2	880
MD-1224	2	344000	20	43	25	8-1/2	3-5/8	975
MD-1230	2-1/4	494000	24-7/8	45	30-5/8	11-1/2	4-1/8	1500
MD-1236	2-1/2	524000	30	55	37	13	5-3/4	2800
MD-1252	3	818000	44	83-1/2	53	14	6-1/4	6000
MD-1268	3-1/4	1223775	59-1/16	100	70	17	7	8000

STANDARD FEATURES

- Designed for Breaking Strength of EIPS-IWRC Wire Rope with 90° Wrap on the Sheave
- Cast Steel Sheave with Hardened Rope Groove for Longer Life
- Sealed Grease Lubricated Bronze Bearings in Sheave
- Weld Down Mounting Base
- Epoxy Primer Coating

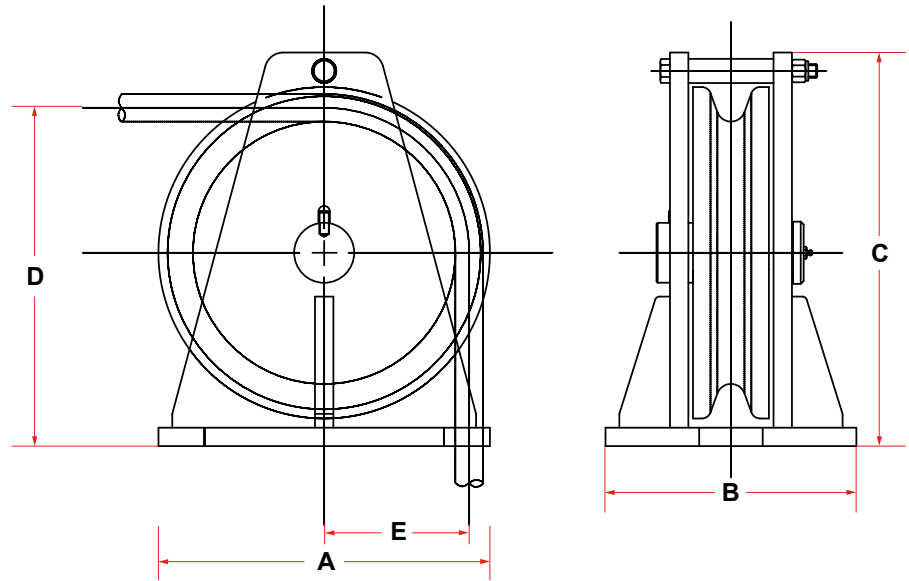
OPTIONAL FEATURES

- Customized Design to Suit Your Application
- Multiple Sheaves
- Stainless Steel or Nylon Sheaves
- Bolt Down Mounting Base
- Load Monitoring System
- Three Coat Marine Paint System
- Third Party Certification

VERTICAL GUIDE SHEAVES



1100 SERIES



MODEL NO.	MAX WIRE SIZE	WIRE BREAKING STRENGTH (LBS)	SHEVE THREAD DIA.	DIMENSIONS (INCHES)					WEIGHT (LBS)
				A	B	C	D	E	
MD-1110	3/4	58800	8-1/4	11	9	20-1/8	10-1/4	4-1/2	65
MD-1112	1	103400	9-3/4	13	11-1/2	14-3/4	12-1/4	5-3/8	105
MD-1114	1-1/4	159800	11-1/4	16	12	17-1/2	14-1/2	6-1/4	185
MD-1118	1-1/2	228000	14-1/4	18	13-5/8	21-3/8	18-3/8	7-7/8	340
MD-1122	1-3/4	266000	18-1/2	22	16	26	22-7/8	10-1/8	550
MD-1124	2	344000	20	24	18	29	25-1/4	11	625
MD-1130	2-1/4	494000	24-7/8	30	23	35-3/8	31-1/16	30-15/16	1250
MD-1136	2-1/2	524000	30	36	27	43-1/2	37-3/4	16-1/4	3100
MD-1152	3	818000	44	52	39	60	53	23-1/2	4900
MD-1168	3-1/4	1223775	59-1/16	78-1/16	46	73-5/8	70-3/8	31-1/16	6020

STANDARD FEATURES

- Designed for Breaking Strength of EIPS-IWRC Wire Rope with 90° Wrap on the Sheave
- Cast Steel Sheave with Hardened Rope Groove for Longer Life
- Sealed Grease Lubricated Tapered Roller Bearings in Sheave
- Weld Down Mounting Base
- Removable Guide Roller
- Epoxy Primer Coating

OPTIONAL FEATURES

- Customized Design to Suit Your Application
- Multiple Sheaves
- Stainless Steel or Nylon Sheaves
- Bolt Down Mounting Base
- Load Monitoring System
- Three Coat Marine Paint System
- Third Party Certification