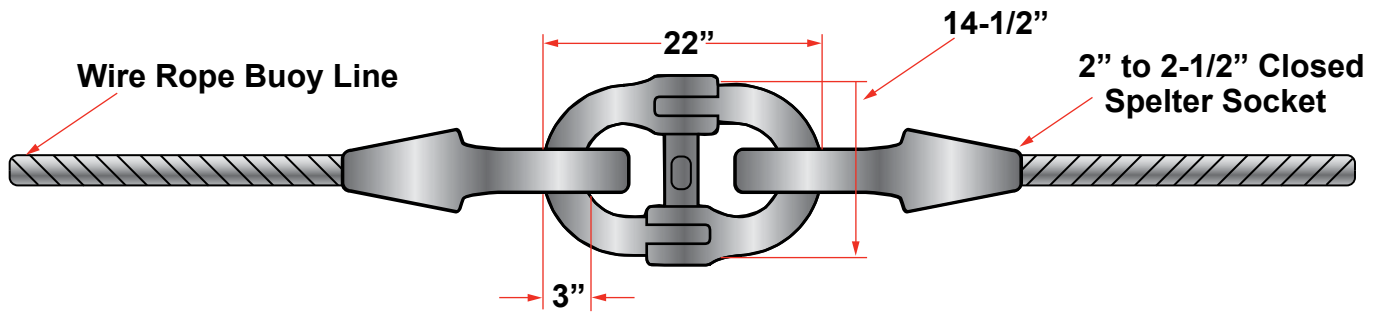
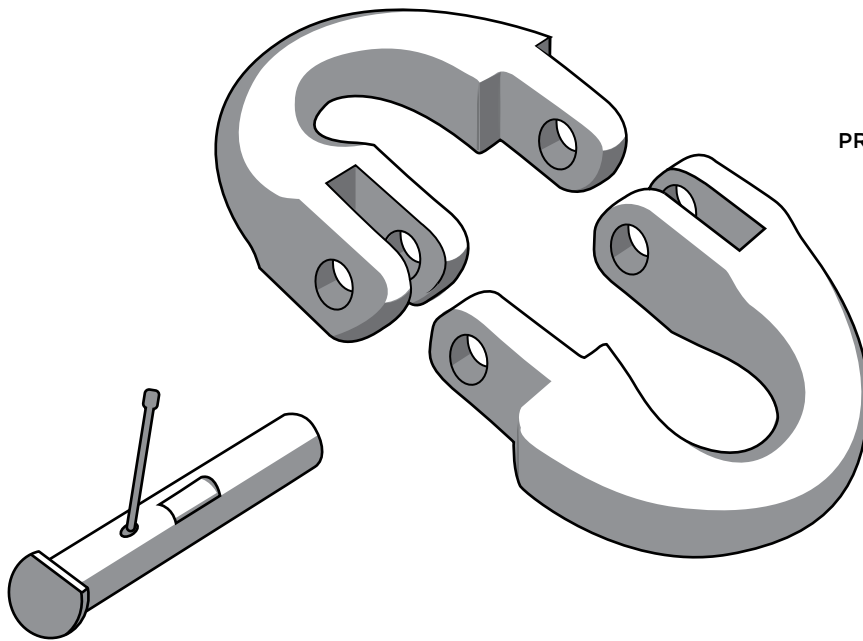


HINGE LINK WITH ABS CERTIFICATION

Recommended above 2-3/16" chain



The 110-ton S.W.L. Hinge Link is specifically designed to provide a single, fast, easy connection to spelter sockets or thimbles that will hinge when passing over a wire rope drum. Hinge Link can be used to connect up to 3" wire rope closed spelter sockets and thimbles on anchor pendant lines.



PROOF LOAD: 440,000 LB.