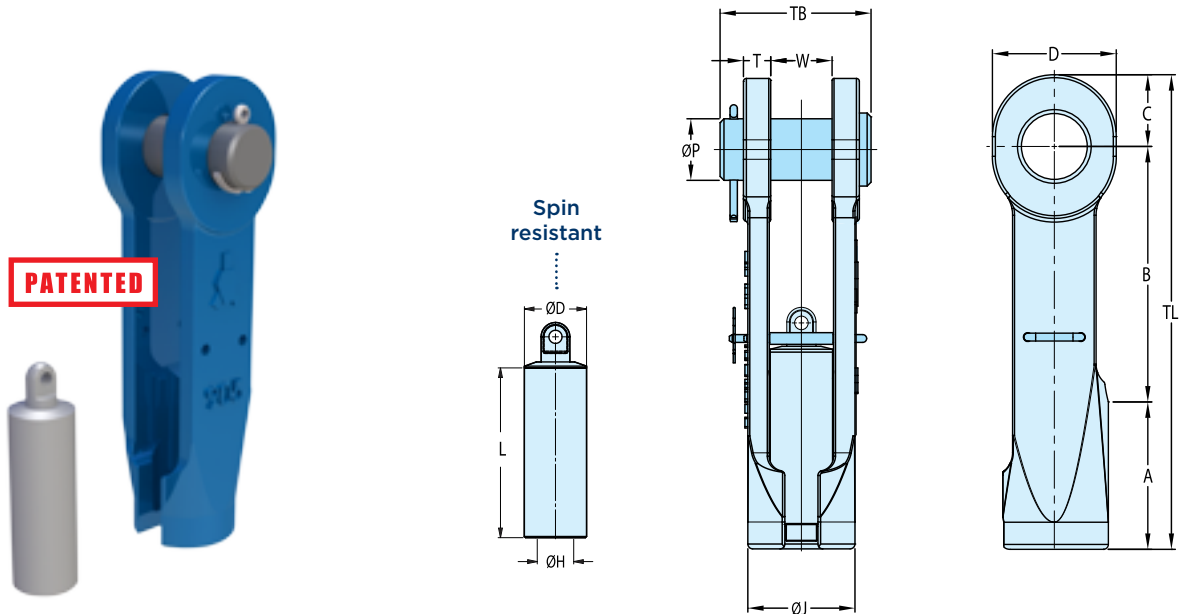


SUPER REEVE CONNECTOR SOCKETS WITH PIN

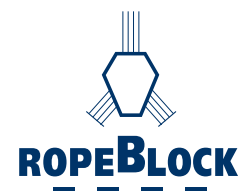
QUENCHED AND TEMPERED CAST STEEL



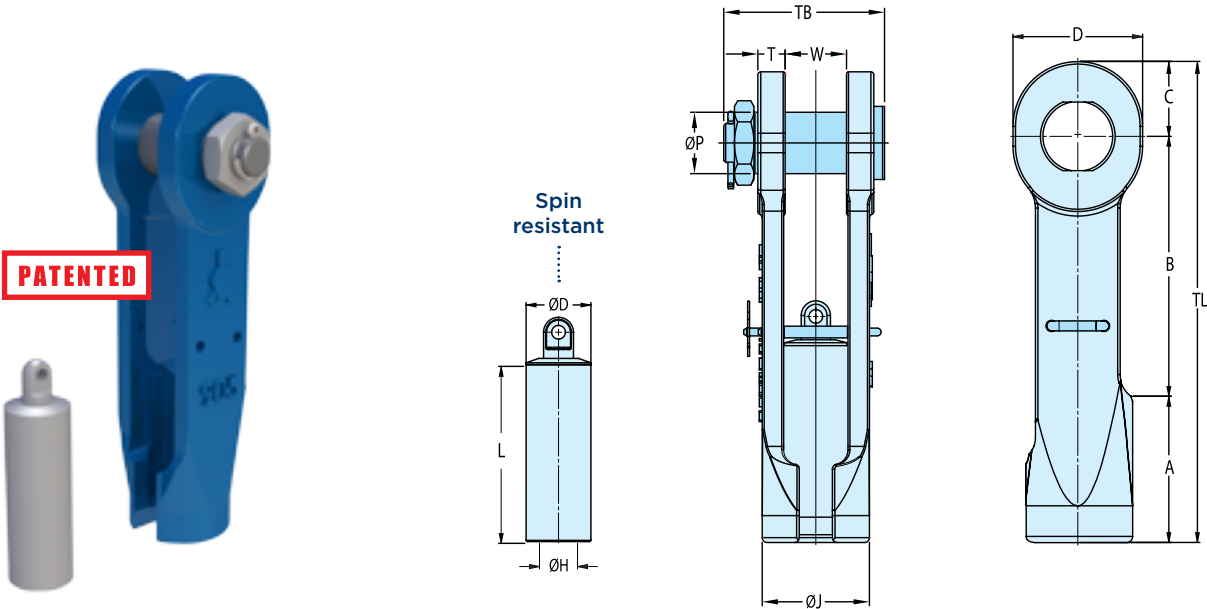
MODEL NR.	MBL (USTONS)	FOR WIRE Ø		DIMENSIONS (INCH)													WEIGHT (LBS)
		MM	INCH	A	B	C	Ø H	Ø P	T	W	D	Ø D	Ø J	L	TB	TL	
SCS 901 P	22	11-13	7/16 - 1/2	-	-	-	-	-	-	-	-	-	-	-	-	-	-
SCS 902 P	28	13-16	1/2 - 5/8	3 3/8	5 1/4	1 1/4	3/4	1 3/16	9/16	1 1/4	2 5/16	1 1/4	2 3/16	3 7/8	3 3/8	9 13/16	7
SCS 903 P	44	16-19	5/8 - 3/4	3 9/16	6 5/16	1 9/16	7/8	1 3/8	5/8	1 1/2	2 3/4	1 9/16	2 9/16	4 1/2	3 3/4	11 7/16	11
SCS 904 P	61	20-22	7/8	4 3/16	7 1/4	1 3/4	1	1 5/8	3/4	1 3/4	3 1/8	1 3/4	3 1/16	5 1/8	4 5/16	13 1/4	17
SCS 905 P	83	23-26	1	4 1/2	8 5/16	2 3/8	1 3/16	1 15/16	7/8	2	4 1/8	2 1/16	3 7/16	5 9/16	5 1/16	15 3/16	26
SCS 906 P	99	27-29	1 1/8	5 1/2	8 7/16	2 9/16	1 5/16	2 1/4	1	2 1/4	4 1/2	2 5/16	3 3/4	6 1/4	5 9/16	16 9/16	35
SCS 907 P	138	30-32	1 1/4	5 7/8	10 1/4	2 7/8	1 7/16	2 1/2	1 1/8	2 1/2	4 15/16	2 1/2	4 5/16	6 15/16	6 1/8	19	51
SCS 908 P	138	33-36	1 3/8	6 11/16	10 1/4	2 7/8	1 9/16	2 1/2	1 1/8	2 11/16	4 15/16	2 11/16	4 1/2	7 3/4	6 5/16	19 13/16	55
SCS 902 P.SR	28	13-16	1/2 - 5/8	3 3/8	5 1/4	1 1/4	3/4	1 3/16	9/16	1 1/4	2 5/16	1 1/4	2 3/16	3 7/8	3 3/8	9 13/16	7
SCS 903 P.SR	44	16-19	5/8 - 3/4	3 9/16	6 5/16	1 9/16	7/8	1 3/8	5/8	1 1/2	2 3/4	1 9/16	2 9/16	4 1/2	3 3/4	11 7/16	11
SCS 904 P.SR	61	20-22	7/8	4 3/16	7 1/4	1 3/4	1	1 5/8	3/4	1 3/4	3 1/8	1 3/4	3 1/16	5 1/8	4 5/16	13 1/4	17
SCS 905 P.SR	83	23-26	1	4 1/2	8 5/16	2 3/8	1 3/16	1 15/16	7/8	2	4 1/8	2 1/16	3 7/16	5 9/16	5 1/16	15 3/16	26
SCS 906 P.SR	99	27-29	1 1/8	5 1/2	8 7/16	2 9/16	1 5/16	2 1/4	1	2 1/4	4 1/2	2 5/16	3 3/4	6 1/4	5 9/16	16 9/16	35
SCS 907 P.SR	138	30-32	1 1/4	5 7/8	10 1/4	2 7/8	1 7/16	2 1/2	1 1/8	2 1/2	4 15/16	2 1/2	4 5/16	6 15/16	6 1/8	19	51
SCS 908 P.SR	138	33-36	1 3/8	6 11/16	10 1/4	2 7/8	1 9/16	2 1/2	1 1/8	2 11/16	4 15/16	2 11/16	4 1/2	7 3/4	6 5/16	19 13/16	55
SCS 909 P.SR	165	37-39	1 1/2	-	-	-	-	-	-	-	-	-	-	-	-	-	-
SCS 910 P.SR	187	40-42	1 5/8	-	-	-	-	-	-	-	-	-	-	-	-	-	-
SCS 911 P.SR	248	43-48	1 3/4 - 1 7/8	-	-	-	-	-	-	-	-	-	-	-	-	-	-
SCS 912 P.SR	309	49-54	2 - 2 1/8	8 7/8	14 11/16	4 1/4	2 3/8	3 3/4	1 3/4	4	7 5/8	4 1/8	7 5/16	11	9 5/8	27 13/16	205

MBL = Minimum Breaking Load

The standard finish of our sockets is blue. Hot dipped galvanized is also available. All sockets are provided with an EN 10204-2.1 declaration of conformity, EN 10204-3.1 material certificate and can be provided with a 2006/42/EC declaration where applicable.



SUPER REEVE CONNECTOR SOCKETS WITH BOLT AND NUT QUENCHED AND TEMPERED CAST STEEL



MODEL NR.	MBL (USTONS)	FOR WIRE Ø		DIMENSIONS (INCH)													WEIGHT (LBS)
		MM	INCH	A	B	C	Ø H	Ø P	T	W	D	Ø D	Ø J	L	TB	TL	
SCS 901 B	22	11-13	7/16 - 1/2	-	-	-	-	-	-	-	-	-	-	-	-	-	
SCS 902 B	28	13-16	1/2 - 5/8	3 3/8	5 1/4	1 1/4	3/4	1 3/16	9/16	1 1/4	2 5/16	1 1/4	2 3/16	3 7/8	3 3/4	9 13/16	7
SCS 903 B	44	16-19	5/8 - 3/4	3 9/16	6 5/16	1 9/16	7/8	1 3/8	5/8	1 1/2	2 3/4	1 9/16	2 9/16	4 1/2	4 3/16	11 7/16	11
SCS 904 B	61	20-22	7/8	4 3/16	7 1/4	1 3/4	1	1 5/8	3/4	1 3/4	3 1/8	1 3/4	3 1/16	5 1/8	4 13/16	13 1/4	17
SCS 905 B	83	23-26	1	4 1/2	8 5/16	2 3/8	1 3/16	1 15/16	7/8	2	4 1/8	2 1/16	3 7/16	5 9/16	5 7/16	15 3/16	26
SCS 906 B	99	27-29	1 1/8	5 1/2	8 7/16	2 9/16	1 5/16	2 1/4	1	2 1/4	4 1/2	2 5/16	3 3/4	6 1/4	6 5/16	16 9/16	35
SCS 907 B	138	30-32	1 1/4	5 7/8	10 1/4	2 7/8	1 7/16	2 1/2	1 1/8	2 1/2	4 15/16	2 1/2	4 5/16	6 15/16	6 1/2	19	51
SCS 908 B	138	33-36	1 3/8	6 11/16	10 1/4	2 7/8	1 9/16	2 1/2	1 1/8	2 11/16	4 15/16	2 11/16	4 1/2	7 3/4	7 5/16	19 13/16	55
SCS 902 B.SR	28	13-16	1/2 - 5/8	3 3/8	5 1/4	1 1/4	3/4	1 3/16	9/16	1 1/4	2 5/16	1 1/4	2 3/16	3 7/8	3 3/4	9 13/16	7
SCS 903 B.SR	44	16-19	5/8 - 3/4	3 9/16	6 5/16	1 9/16	7/8	1 3/8	5/8	1 1/2	2 3/4	1 9/16	2 9/16	4 1/2	4 3/16	11 7/16	11
SCS 904 B.SR	61	20-22	7/8	4 3/16	7 1/4	1 3/4	1	1 5/8	3/4	1 3/4	3 1/8	1 3/4	3 1/16	5 1/8	4 13/16	13 1/4	17
SCS 905 B.SR	83	23-26	1	4 1/2	8 5/16	2 3/8	1 3/16	1 15/16	7/8	2	4 1/8	2 1/16	3 7/16	5 9/16	5 7/16	15 3/16	26
SCS 906 B.SR	99	27-29	1 1/8	5 1/2	8 7/16	2 9/16	1 5/16	2 1/4	1	2 1/4	4 1/2	2 5/16	3 3/4	6 1/4	6 5/16	16 9/16	35
SCS 907 B.SR	138	30-32	1 1/4	5 7/8	10 1/4	2 7/8	1 7/16	2 1/2	1 1/8	2 1/2	4 15/16	2 1/2	4 5/16	6 15/16	6 1/2	19	51
SCS 908 B.SR	138	33-36	1 3/8	6 11/16	10 1/4	2 7/8	1 9/16	2 1/2	1 1/8	2 11/16	4 15/16	2 11/16	4 1/2	7 3/4	7 5/16	19 13/16	55
SCS 909 B.SR	165	37-39	1 1/2	-	-	-	-	-	-	-	-	-	-	-	-	-	-
SCS 910 B.SR	187	40-42	1 5/8	-	-	-	-	-	-	-	-	-	-	-	-	-	-
SCS 911 B.SR	248	43-48	1 3/4 - 1 7/8	-	-	-	-	-	-	-	-	-	-	-	-	-	-
SCS 912 B.SR	309	49-54	2 - 2 1/8	8 7/8	14 11/16	4 1/4	2 3/8	3 3/4	1 3/4	4	7 5/8	4 1/8	7 5/16	11	10 3/8	27 13/16	205

MBL = Minimum Breaking Load

The standard finish of our sockets is blue. Hot dipped galvanized is also available. All sockets are provided with an EN 10204-2.1 declaration of conformity, EN 10204-3.1 material certificate and can be provided with a 2006/42/EC declaration where applicable.

