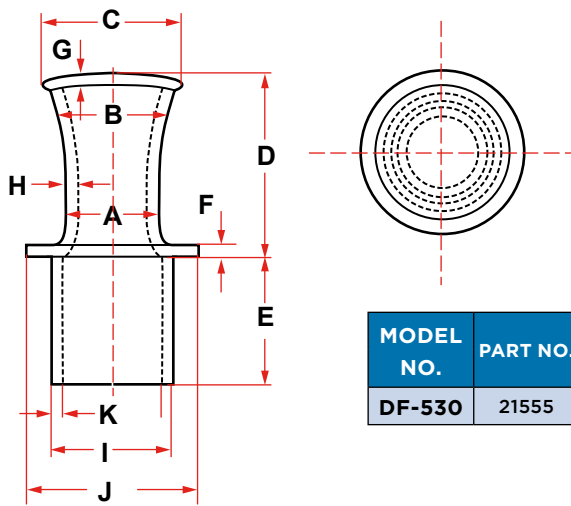


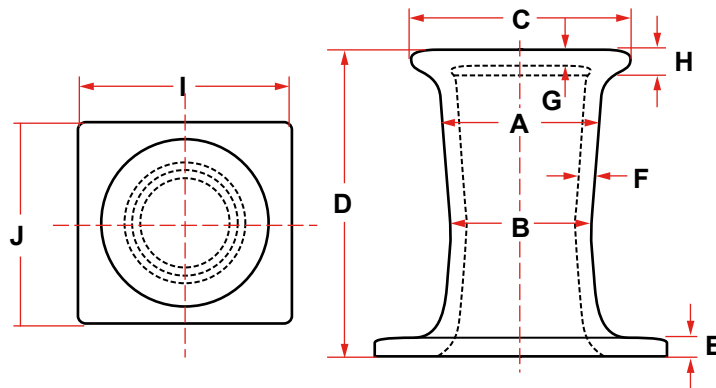
CAST STEEL SINGLE BITT

MODEL NO.	PART NO.	SIZE	DIMENSIONS (INCHES)								WEIGHT (LBS)
			A	B	C	D	E	F	G	H	
DF-SB10	20230	10	10	8	13-1/2	18	1	1	3/4	14	190



CAST STEEL SINGLE BITT THRU DECK

MODEL NO.	PART NO.	SIZE	DIMENSIONS (INCHES)											WEIGHT (LBS)
			A	B	C	D	E	F	G	H	I	J	K	
DF-530	21555	8	8	10-1/2	12	16	11	1	1	1	10-1/4	14	3/4	260

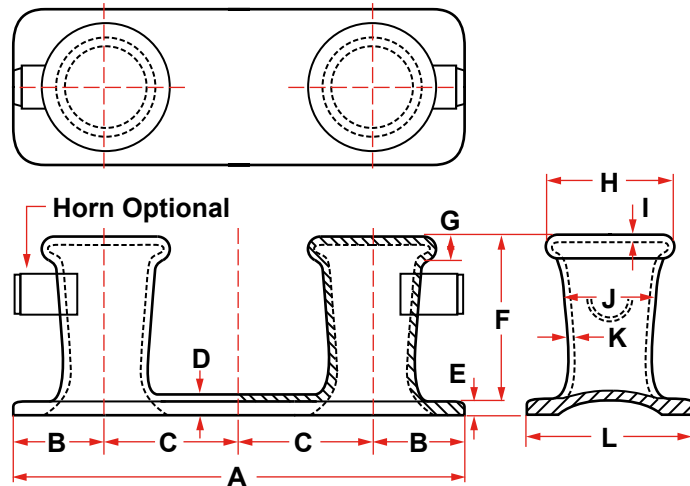


CAST STEEL SINGLE BITT

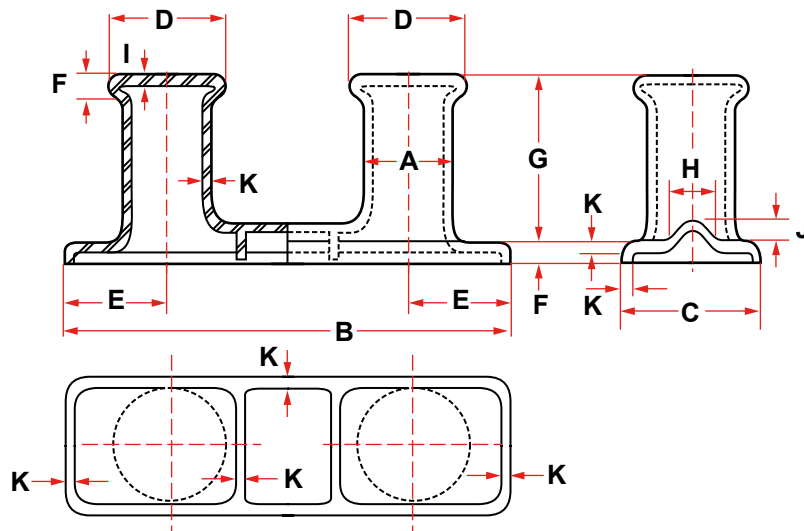
MODEL NO.	PART NO.	SIZE	DIMENSIONS (INCHES)										WEIGHT (LBS)
			A	B	C	D	E	F	G	H	I	J	
DF-588	87971	8	8	7	11	14-3/4	1-1/4	1	3/4	1-1/2	14	14	160

CAST STEEL DOUBLE BITTS

LARGER SIZES
AND TYPES
AVAILABLE
UPON REQUEST

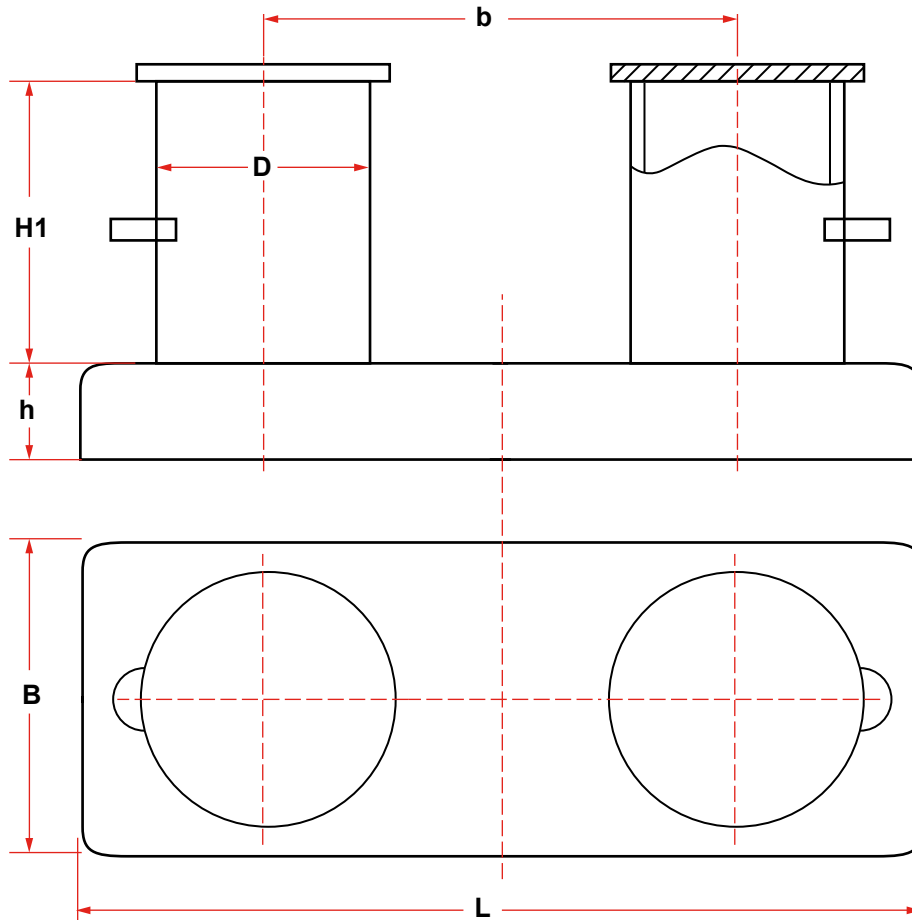


MODEL NO.	SIZE	DIMENSIONS (INCHES)												WEIGHT (LBS)
		A	B	C	D	E	F	G	H	I	J	K	L	
DF-2	8	40	8	12	2	1-1/4	16	2	11	5/8	7	5/8	14	320
DF-2A	w/ Horn													330
DF-40	10	45	9	13-1/2	2-1/4	1-1/4	18	2	13-1/2	3/4	9	1-1/4	15	545
DF-40A	w/ Horn													560



MODEL NO.	SIZE	DIMENSIONS (INCHES)											WEIGHT (LBS)
		A	B	C	D	E	F	G	H	I	J	K	
DF-491	12	12	60	18	15	13-1/2	3	22-1/2	6	1	2	1-1/4	990
DF-498	14	14	66	21	17-1/2	13	3-1/2	26-1/4	7	1	2	1-1/2	1350

DOUBLE BITTS, FABRICATED 8" TO 20" (JIS F-2001)



NOMINAL DIA.	DIMENSIONS (MM)						MAX B.L. OF ROPE (TON)	MASS (KG)
	D	H1	b	B	L	h		
100	114	150	250	165	445	50	3	19
125	139	190	315	195	540	60	4	29
160	165	250	400	225	670	70	5	45
200	216	300	500	290	860	85	8	80
250	267	380	630	360	1065	100	12	139
315	318	480	800	430	1300	125	20	261
355	355	530	890	480	1475	145	26	361
400	406	600	1000	550	1630	160	32	502
450	457	680	1130	620	1840	170	39	685
500	508	750	1250	690	2040	190	46	911
560	558	830	1380	750	2240	210	56	1208
630	609	940	1570	820	2510	225	70	1600
710	711	1050	1750	960	2840	260	82	2252
800	812	1200	2000	1100	3240	295	100	3071