

ANCHORS

GIGANTIC INVENTORY USED AND NEW WITH CERTIFICATES

(A.B.S. - LLOYDS - DNV - ETC.)

**DOMESTIC - IMPORTED
RENT OR SALE**

ANCHORS

L.W.T

WORKBOAT

STOCKLESS TYPE - HALL TYPE

MUSHROOM TYPE - EELLS

KEDGE TYPE

NAVY PATTERN ANCHORS

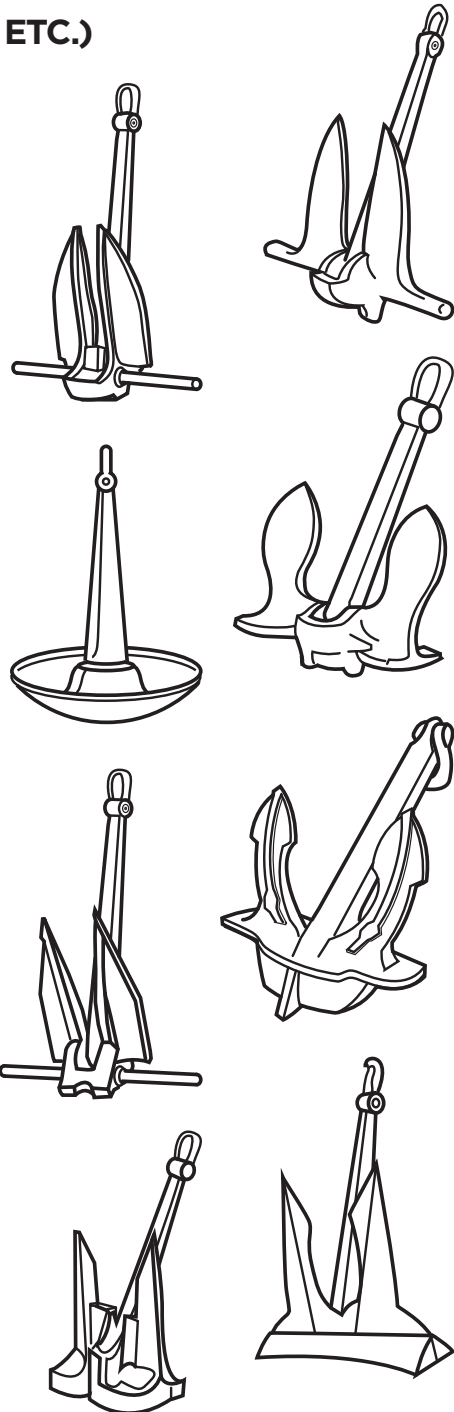
AC-14 - SPEK TYPE

HIGH HOLDING POWER

**STOCKS IN THE
WEST COAST
EAST COAST
GULF COAST**

GIVE US A CALL

310.522.9698



SELECTION

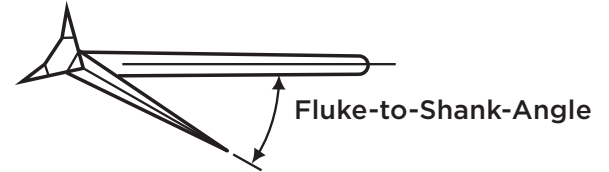
Because the anchor is the key to effective mooring or anchoring it is essential to know what to expect from various types. Any anchor's performance is dependent first upon its ability to bite into the bottom through the ploughing effect of its flukes and secondly upon its ability to maintain a continuous resistance to drag once it is implanted in the bottom.

Therefore, the optimum design of an anchor is influenced primarily by the specific composition of the ocean floor, which is generally categorized into three groups: mud, sand, and rock or marl. Mud varies the most in consistency and offers little resistance to dragging forces. Sand is almost ideally consistent and anchors specifically designed for sand bottoms reach excellent holding efficiency. On the other hand rock or marl is very poor holding ground, where an anchor's dead weight is its only asset.

An anchor's efficiency is expressed in holding-power ratio, that is the holding force per anchor weight. The proof test

involves applying a static load to the assembled anchor to test its structural design and material properties as related to the holding force.

The holding power of an anchor is affected greatly by the angle of its flukes. In order for the flukes to enter the bottom of an angle that will allow the crown or head to penetrate to a depth producing maximum efficiency, the angle of the fluke to the shaft should approximate 50 degrees in the mud bottoms and 30 degrees in sand.



Anchor holding-power is also dependent upon other bottom conditions, the duration of drag and the ratio between the length of the mooring line and the water depth.

Recommended Applications ¹	Stockless	Snug-Stowing®	Lightweight	LWT® Danforth	Stato®	Moorfast®	Boss
Offshore Rig Mooring		X	X	X	X	X	
Supply/Support Vessels		X	X				
Pipelay Barges	X					X	
Fixed Mooring			X	X	X	X	X
Commercial Ships	X	X					
Tugboats	X	X	X				
Supertankers	X						
Minimum Performance Characteristics							

MUD	Holding Power Ratio ²	3:1	5:1	9:1	9:1	9:1	9:1	32:1
	Depth of Penetration (ft)	9-10	17-20	17-20	17-20	17-20	17-20	35-40
	Breakout Force Ratio	2:1	3:1	5:1	5:1	5:1	5:1	6:1
	Fluke-to-Shank Angle (degrees)	45°	43°	30°	30°	23°	34°	34°
SAND	Holding Power Ratio ²	7:1	14:1	20:1	20:1	20:1	20:1	25:1
	Depth of Penetration (ft)	3	6-8	6-8	6-8	6-8	6-8	10-15
	Breakout Force Ratio	2:5:1	6:1	8:1	8:1	8:1	8:1	12:1
	Fluke-to-Shank Angle (degrees)	45°	43°	30°	30°	34°	34°	34°
Optional Swivel Shackle ³				X	X	X	X	
Padeye for Pendant Buoy Line				X	X	X	X	X

¹ These recommendations are based upon usage practice. Deviations are acceptable.

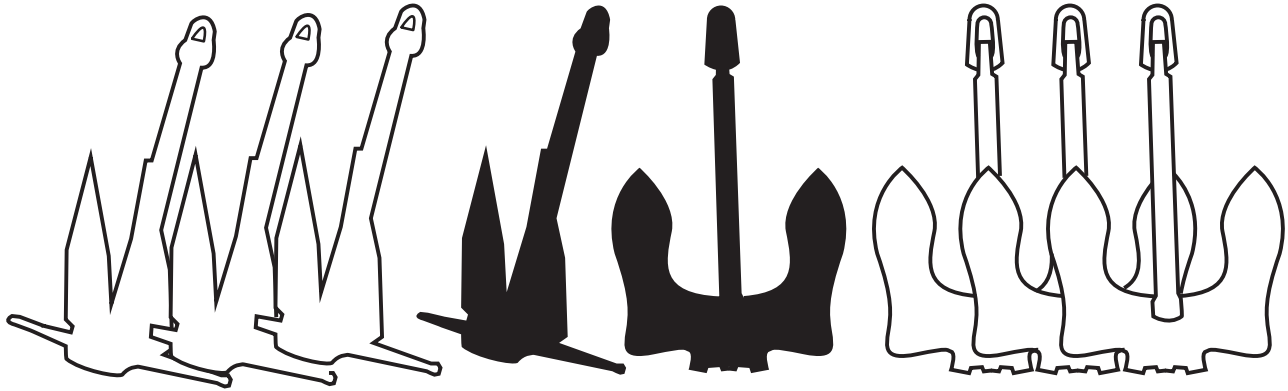
² These are minimum values only; actual bottom conditions could increase holding power considerably.

³ Swivel shackles can be used to replace anchor shackle, anchor connecting link, and swivel.

WE ARE DIRECT IMPORTERS AND
FACTORY DISTRIBUTORS

WE HAVE ONE OF THE LARGEST SELECTIONS OF NEW AND USED ANCHORS IN THE COUNTRY FOR IMMEDIATE DELIVERY. DIRECT FACTORY SHIPMENTS ALSO AVAILABLE AT NO EXTRA COST. WE KEEP OUR STOCKS OF PRODUCTS IN THE WEST COAST, GULF COAST AND EAST COAST TO EXPEDITE DELIVERIES. **GIVE US A CALL AT 310.522.9698.**

SELECTION



Optimum design of anchor is influenced by the specific composition of the ocean floor. Basically, we categorize the ocean bottoms into three groups:

1. Mud, or silt, which varies the most in consistency and offers little resistance to forces.
2. Sand, ideally the most consistent, and where anchors specifically designed, reach excellent holding efficiency.
3. Rock, or Marl, poor holding ground where an anchor's dead weight is its only asset.

The efficiency of an anchor in a given test is expressed in terms of "Holding power" per pound of its own weight, not in "Proof test" which indicates physical properties of the material.

The fluke angle of an anchor has a definite effect upon the "Holding Power". The flukes should enter the bottom at an angle that will allow the crown, or head, to penetrate to a depth which can produce maximum efficiency. Additionally, we have determined the following:

1. The angle of fluke penetration in mud bottom should be approximately 50°.
2. In sand the penetration angle should be in the area of 30°.
3. For anchoring in various bottoms a compromise approximating 43° is desirable.

Other considerations in selecting an anchor should include:

1. Convenience for handling and stowing.
2. Aptitude for taking hold.
3. Physical strength.

4. Freedom from fouling, which all anchors do, but some in lesser degrees.
5. Influence developed by the chain's catenary, which absorbs shock loads, and lowers the angle of pull at the anchor by its weight.

The anchor is the key to effective anchoring or mooring. It is essential to know what to expect from various anchors. The resistance of an anchor being dragged through a soil has been considered as occurring in two stages: first, biting into the bottom due to the ploughing effect of the flukes, and secondly, maintaining a continuous resistance to drag after it is planted into the bottom.

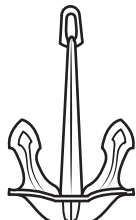
Holding power is directly proportional to projected fluke area, and shear strength of the bottom material, and inversely proportional to penetration-area resistance. In many cases, a smaller anchor with favorable fluke area to weight ratio is more dependable than a heavier anchor.

Holding power for the two most widely used anchors are as follows:

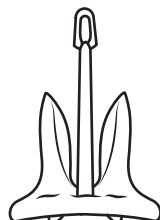
1. Stockless Type anchors in sand develop a holding power to weight ratio of seven to one. In mud it develops three to one. The angle of penetration in both cases is 45°.
2. Lightweight Type anchors in sand develop a holding power to weight ratio of twenty to one, with the angle of penetration being 30°. In mud it develops nine to one with the angle of penetration being 50°.

The depth of penetration in all preceding cases is compiled from three to seven feet in sand, and from seventeen to twenty feet in mud. All calculations incorporate a 0° scope angle.

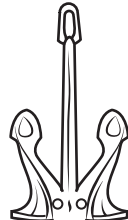
TYPES OF ANCHORS



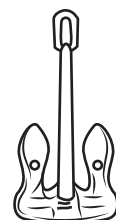
Hall



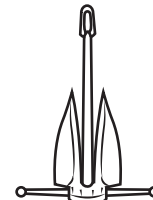
AC14



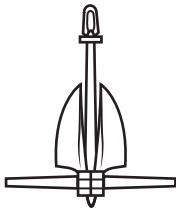
Spek



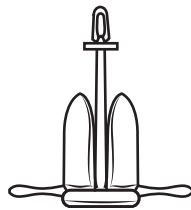
Byers



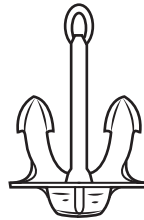
Danforth



LWT



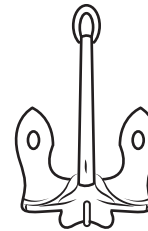
Moorfast



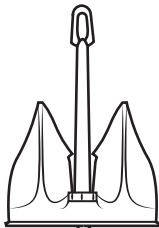
Union



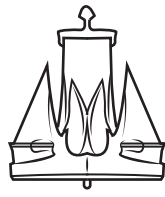
Pool



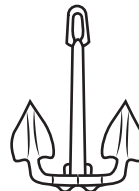
Navy



Norshore I



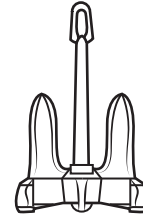
Norshore II



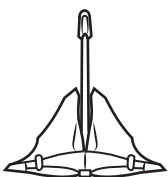
KLIP



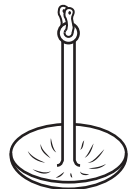
FOB



ZY-6



Deepsey



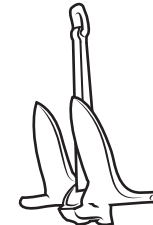
Mushroom



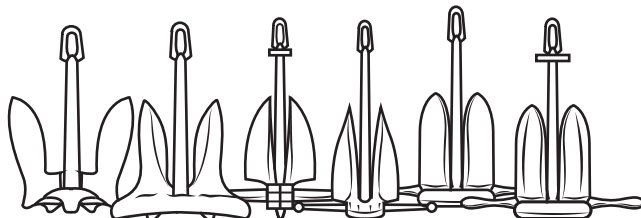
Bruce



Kedge



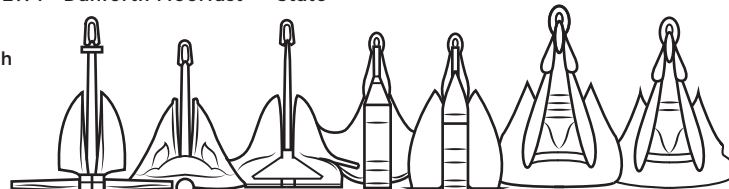
Snug Stow



8 tons Stockless 4.5 ton AC 14 4.5 ton LWT 4 ton Danforth 4 ton Moorfast 3 ton Stato

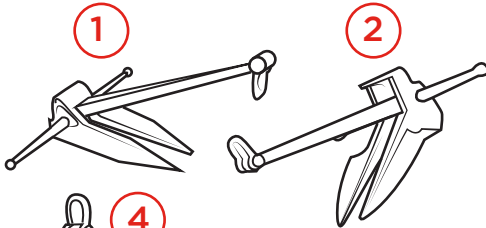

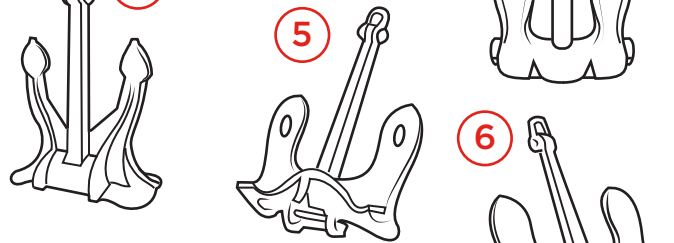
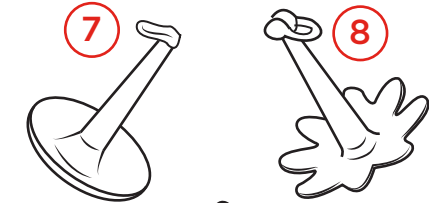
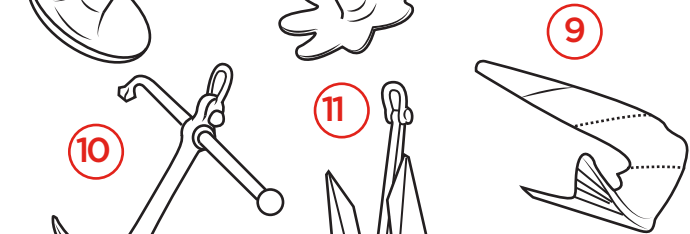
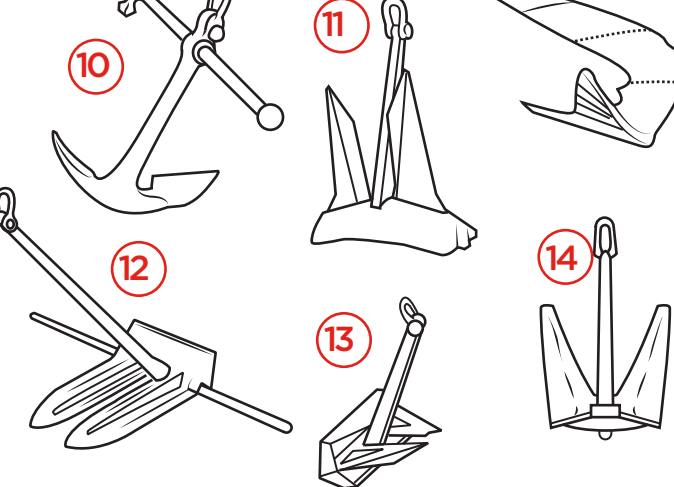
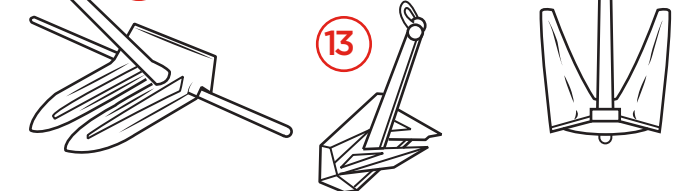
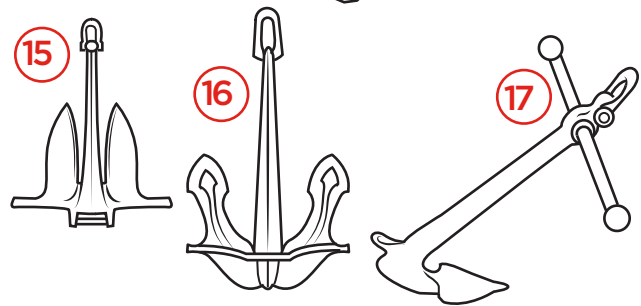
Anchor with identical holding power drawn at the same scale thus showing the difference in weight.

Various anchor types with equal weight and scale.



Danforth Delta Anchor Stevin MK3 Bruce TS Bruce FF Stevpris Stevshark

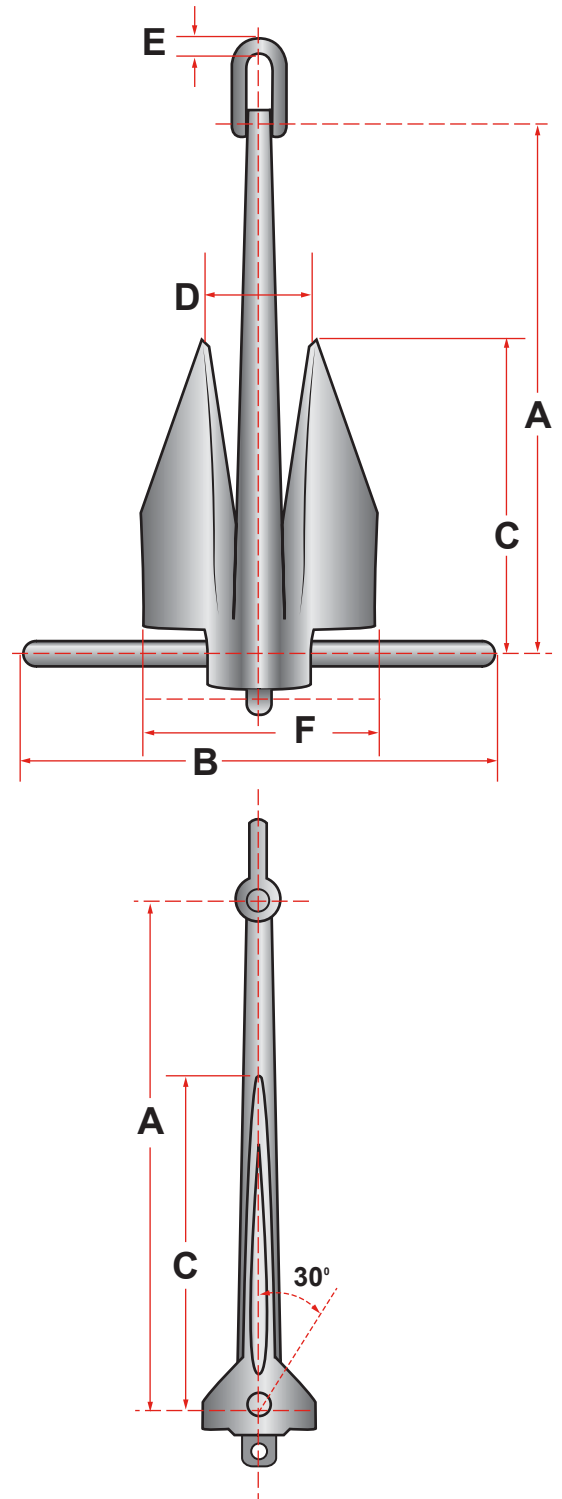
TYPES OF ANCHORS FROM AROUND THE WORLD

- | | | |
|----------------|-----------------------------|--|
| No. 1 | WORKBOAT OR DANFORTH TYPE |  |
| No. 2 | L.W.T. OR LIGHTWEIGHT TYPE | |
| No. 3 | BYERS TYPE STOCKLESS ANCHOR |  |
| No. 4 | SPEK TYPE ANCHOR | |
| No. 5 | NAVY TYPE STOCKLESS |  |
| No. 6 | STANDARD STOCKLESS ANCHOR | |
| No. 7-8 | MUSHROOM TYPE |  |
| No. 9 | BRUCE TYPE | |
| No. 10 | KEDGE OR ADMIRALTY |  |
| No. 11 | AC-14 TYPE | |
| No. 12 | STATO TYPE |  |
| No. 13 | DELTA TYPE ANCHOR | |
| No. 14 | POOL TYPE ANCHOR |  |
| No. 15 | SNUG STOWING | |
| No. 16 | HALL TYPE STOCKLESS ANCHOR |  |
| No. 17 | SINGLE FLUKE / KEDGE TYPE | |

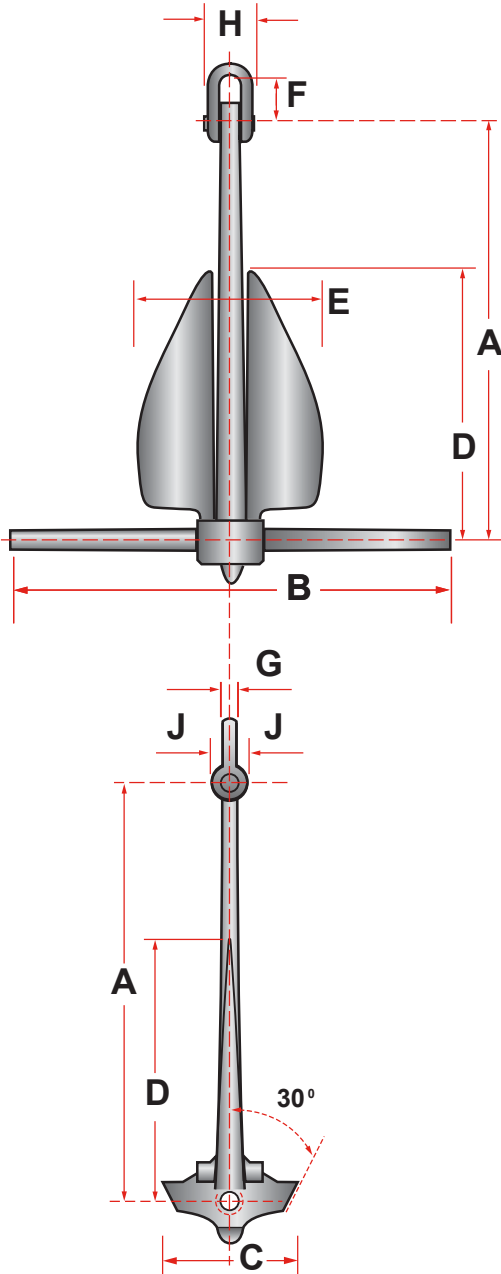
WORKBOAT ANCHOR

ANCHOR WEIGHT	A	B	C	D	E	F	PROOF TEST
25	31-3/4	27-3/8	19-3/8	3-7/16	3/8	11-5/8	1600
50	40	34-3/8	24-3/8	4-3/8	7/16	14-5/8	2900
75	45-3/4	39-1/2	27-7/8	5	1/2	16-13/16	5000
100	47-1/2	41-1/8	28-5/16	5-1/4	3/4	17-1/2	5972
150	49	42-1/2	29-7/8	5-5/8	3/4	18-7/8	8300
200	52-1/2	45-1/2	33	6-1/8	7/8	20-1/2	10100
300	56	48-1/2	35-1/4	13-1/2	1-1/8	23-1/4	13000
400	58	50	39-9/16	13-7/8	1-1/8	24-1/8	15600
500	63	54-1/2	39-3/4	15-1/8	1-1/2	26-1/4	18100
750	67-1/2	58-1/2	42-1/2	16-1/2	1-1/2	28-1/4	24100
1000	72	62	45-3/8	18-3/4	2	30	30000
1500	77	70-7/8	48-1/2	19-3/8	2	32	41400
2000	83	71-3/4	52	22-5/8	2-1/2	35-3/4	52300
2500	89	84-1/2	56	13-7/8	2-1/2	36-1/2	62270
3000	94	89	59	14-3/8	3	38-7/8	72500
3500	99	94	62-1/2	15-1/8	3	45-3/8	81800
4000	104	98-3/4	65-1/2	15-3/8	3	41-1/4	90700
5000	112	106-1/2	70-1/2	18	3-3/8	45-1/4	107000
6000	118	112	74	18-5/8	3-3/4	47-1/2	121300
8000	129	122-1/2	77-3/8	20-1/4	4-1/8	52-1/16	145600
10000	138	131	87	21-7/8	4-1/2	55-7/8	165600
12000	145	145	91	23	4-3/4	58-3/4	184700
14000	152	152	95-3/4	24	5	61-5/8	205000
16000	160	160	101	25-1/4	5-1/4	64-7/8	222700
20000	172	163	108-3/8	27-1/4	5-5/8	69-1/2	249400
30000	197	187	112	31-1/4	6-1/2	80-1/2	319400

All specifications in pounds and inches.
Intermediate sizes may be furnished on request.



LIGHTWEIGHT (LWT) ANCHOR

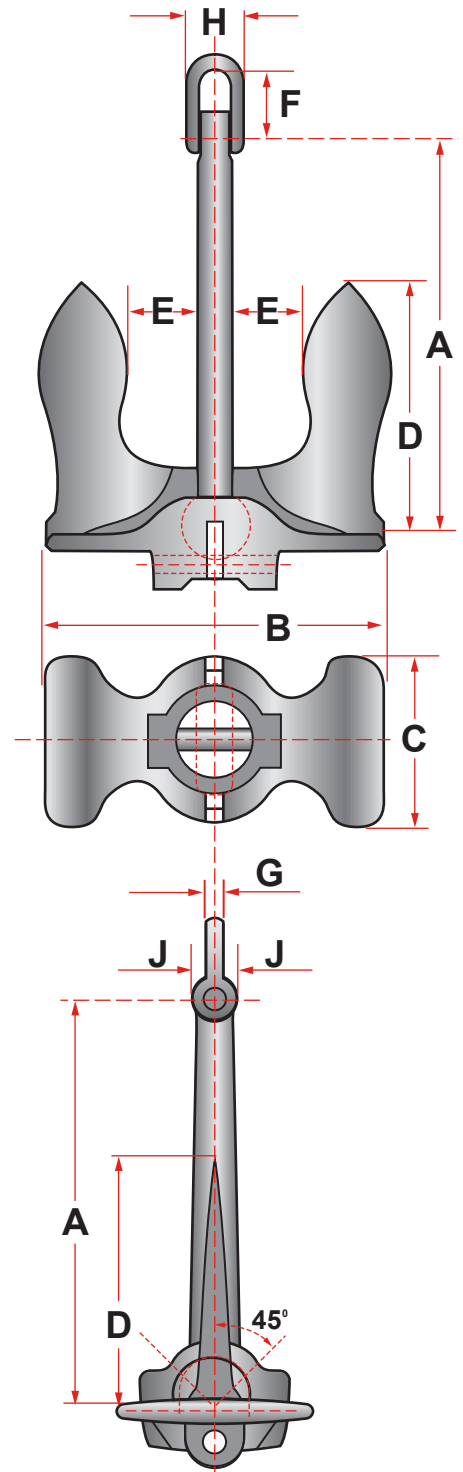


ANCHOR WT	A	B	C	D	E	F	G	H	J	PROOF TEST
100	41-1/2	39-1/2	12-3/46	24	15-5/8	3-3/4	7/8	3-3/8	2-1/4	5500
150	46-3/4	44-1/2	13-11/16	27	17-3/8	5-1/2	1	4	2-3/8	6800
200	47-1/2	45	14-3/16	29	18-7/8	5-1/2	1	4	3-1/8	10100
250	47-1/2	45	14-9/16	29	18-7/8	5-1/2	1	4	3-1/8	11600
300	53	50	16-5/16	32-1/2	21-1/4	7	1-1/4	5	3-1/4	13000
350	53	50	16-11/16	32-1/2	21-1/4	7	1-1/4	5	3-1/4	14300
400	57-1/2	54-1/4	17-3/4	35-1/4	23	7	1-1/4	5	3-1/2	15600
450	60	56-1/2	18-3/8	36-3/4	24	7	1-1/4	5	3-3/4	16900
500	61-1/2	58-1/2	19	37-1/2	24	7-1/2	1-1/2	6	4-1/4	18100
750	69	64-1/2	21-1/8	42	28-7/16	7-1/2	1-1/2	6	4-7/8	24100
1000	75	71	24-1/2	46	29-1/4	9-3/4	2	8	5-1/4	30000
1500	86-1/2	58-1/2	27-5/8	53	31-7/8	12	2-1/2	9-1/2	6	41400
2000	92-1/2	85	30	56-1/2	37-1/4	12	2-1/2	9-1/2	7	52300
3000	108-1/2	104	34-3/4	66	40-3/8	15	3	11	7-3/4	72500
4000	116	110	37-1/2	71	44	15	3	11	9	90700
5000	118	112	38-3/4	72	44-3/4	17	3-1/2	12-1/4	9-1/2	110700
6000	124	118	41	76	47-1/4	19	4	13-3/4	10-1/4	121300
7000	124	118	41	76	47-1/4	19	4	13-3/4	10-1/4	134300
8000	128	121	43-1/2	78	50-1/4	19	4	13-3/4	12	145600
9000	133	126	45-1/4	81-1/8	52-1/4	19	4	13-3/4	12-1/2	155800
10000	144	137	49	88	55-1/4	22	4-1/2	15-3/4	13	165800
11000	144	137	49	88	55-1/4	22	4-1/2	15-3/4	13	174600
12000	146	138-1/2	49-3/4	89-1/8	57-3/8	22	4-1/2	15-3/4	13-3/4	184700
13000	154	146	52-1/2	94	60-1/2	24	5	17-1/2	14-1/2	194300
14000	154	146	52-1/2	94	60-1/2	24	5	17-1/2	14-1/2	203000
15000	157	149-1/4	53-5/8	96	61-7/8	24	5	17-1/2	14-7/8	213700
16000	161	152-1/2	54-7/8	98-1/4	63-1/4	24	5	17-1/2	14-1/8	222700
17000	164	155-1/2	56	100	64-1/2	24	5	17-1/2	15-1/2	230000
18000	167	158-1/2	57	102	65-5/8	24	5	17-1/2	15-3/4	238600
19000	170-1/2	161-3/8	58	104	66-3/4	25	5-1/2	20	16	244100
20000	173	164	59	106	68	25	5-1/2	20	16-3/8	249400
25000	191	178	67-1/4	116	75	26-1/2	5-1/2	20	16	282500
30000	198	189	67-1/2	121	78	29	5-1/2	20	17	319400
35000	208	199	71	127	82	30 1/2	6	21	18	353750
40000	218	240	75	131	86	32	6	24	20-1/2	386400
45000	227	250	78	136	89	33	6-1/4	26	22	413825
50000	235	260	81	141	92	34	6-1/2	27	23	448300
60000	250	278	86	150	97	36	6-1/2	29	24	506200
70000	264	290	91	157	103	38	7	30	26	561400
80000	275	304	95	165	107	40	7-1/2	31	27	613400
90000	287	317	99	172	112	41	8	33	28	690000
100000	296	328	102	178	116	43	8	34	29	767000

All specifications in pounds and inches.
Intermediate sizes may be furnished on request.

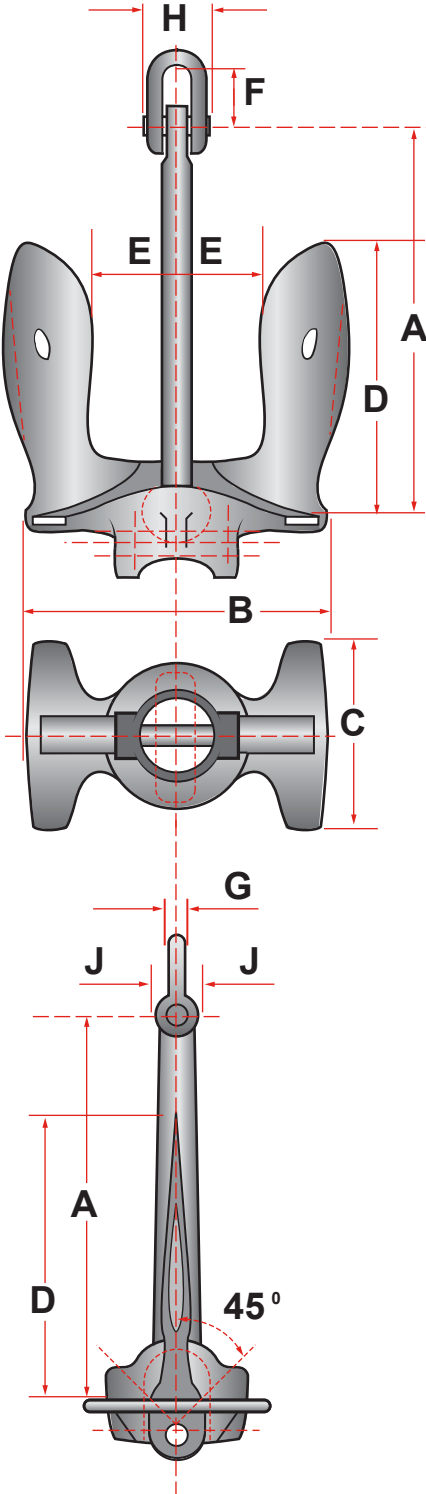
STANDARD STOCKLESS ANCHOR

ANCHOR WT	A	B	C	D	E	F	G	H	J	PROOF TEST
200	27	18	9-1/2	15-1/8	5-1/8	5-1/2	1	5	4	8300
300	32	23-1/4	11-11/16	17-1/4	6-11/16	5-1/2	1	5	4-1/2	10900
400	32	25-3/4	13	19	7	5-1/2	1	5	4-1/2	13000
500	35	26-1/2	14	20	7	7	1-1/4	6	5-1/2	15000
700	38	29-1/2	15-5/8	23-1/2	8-1/8	7	1-1/4	6	5-3/4	19600
775	38	32	16-7/8	24-3/4	8-5/8	7	1-1/4	6	5-3/4	20050
900	42	32	17	24	9	7-1/2	1-1/2	6-1/2	6-1/2	22300
1000	42	33-5/8	18	25-1/8	9-3/4	7-1/2	1-1/2	6-1/2	6-1/2	24100
1260	46	36-3/8	18-3/4	28-3/8	9-7/8	8-1/2	1-3/4	7-1/2	6-3/4	28800
1430	49	39	20	29-7/8	10-3/4	9-3/4	2	8-1/2	7	31700
1540	49	40	20-1/2	30-1/2	11	9-3/4	2	8-1/2	7	33600
1600	49	40	20-1/2	30-1/2	11	9-3/4	2	8-1/2	7	34600
1750	52	41-1/2	21	33-1/4	11-3/8	9-3/4	2	8-1/2	7-1/4	37200
1875	52	43	22	34-3/4	12	9-3/4	2	8-1/2	7-1/4	39300
1950	52	43	22	34-3/4	12	9-3/4	2	8-1/2	7-1/4	40600
2000	58	44-3/4	23	33-3/8	12-1/8	9-3/4	2	8-1/2	7-1/2	43100
2500	58	44-3/4	23-1/4	33-3/8	12-1/8	9-3/4	2	8-1/2	7-1/2	49700
2800	58	48	25	35-7/8	13	9-3/4	2	8-1/2	7-1/2	54500
3000	64	47	25-1/2	36	12-3/4	12	2-1/2	10	8-3/4	57700
3500	64	52-3/4	27-1/2	39-1/2	14-1/4	12	2-1/2	10	8-3/4	65200
4000	70-5/8	53-1/4	27-1/2	39-1/4	14-1/2	12	2-1/2	10	9-1/2	72600
4500	70-5/8	56-3/4	29	42	15	12	2-1/2	10	9-1/2	79700
5000	76	57-1/2	30	42	15-5/8	15	3	12	10-1/4	86500
6000	76	63-1/2	33-1/4	47	17-1/4	15	3	12	10-1/4	99100
6300	76	63-1/2	33-1/4	47	17-1/4	15	3	12	10-1/4	102500
6500	82	63-1/2	33	47-5/8	17-1/4	15	3	12	10-3/4	105000
6750	82	65	33-3/4	48-3/4	17-5/8	15	3	12	10-3/4	108000
7000	82	66-5/8	34-3/4	49-3/4	18	15	3	12	10-3/4	110500
7600	82	67-1/2	34-3/4	49-3/4	18-3/8	15	3	12	10-3/4	117000
8100	93-1/2	66-1/4	34-1/4	48-7/8	18-1/4	17	3-1/2	13-1/4	11-1/2	122500
8600	93-1/2	68-1/2	35-3/4	50-1/2	18-1/2	17	3-1/2	13-1/4	11-1/2	127500
9000	96	70-1/4	36-3/8	51-3/4	19-1/8	17	3-1/2	13-1/4	11-1/2	131500
10000	96	75-1/2	39	58	21	19	4	14-3/4	12	140500
11000	96	75-1/2	39	58	21	19	4	14-3/4	12	148500
12000	96	76-3/4	40	58	20-3/4	19	4	14-3/4	12	156000
13000	98	76-3/4	40	58	20-3/4	19	4	14-3/4	12	163500
14000	103	80-1/2	44	60	22-1/4	19	4	14-3/4	13	170500
15000	103	86	46	65	24	19	4	14-3/4	13	177000
16000	108	86	46	65	24	19	4	14-3/4	13	185000
18000	112	88-1/4	48-1/4	65-5/8	24-3/4	22	4-1/2	16-3/4	13	200000
18900	112	88-1/4	48-1/4	65-5/8	24-3/4	22	4-1/2	16-3/4	13	207200
20000	112	96	50	72	26	22	4-1/2	16-3/4	14	214000
25000	120	103	53-3/4	77-1/2	28	22	4-1/2	16-3/4	15	243000
30000	128	110	57-1/4	82-1/2	29-7/8	24	5	18-3/4	16	266000
35000	135	116	60	87	31-1/2	25	5	19	17	292000
40000	140	121	63	91	32	26	5-1/2	20	17-1/2	320000
45000	147	126	65	94	34	27	5-1/2	21	18	345500
50000	152	131	68	99	35	28	6	21-1/2	19	371000



All specifications in pounds and inches.
Intermediate sizes may be furnished on request.

U.S. NAVY STOCKLESS ANCHOR

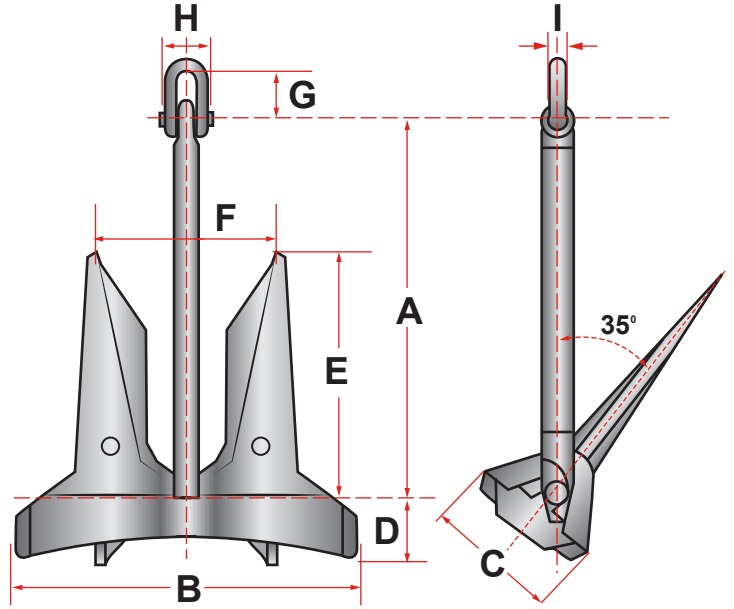


ANCHOR WT	A	B	C	D	E	F	G	H	J	PROOF TEST
300	28-5/8	22-1/8	13-3/4	20-5/16	6-7/16	6	1-1/8	4	3-1/2	11560
400	31-1/2	24-5/8	15-1/8	22-3/8	6-15/16	6-13/16	1-1/4	4-3/8	3-7/8	13520
500	34	26-1/4	16-1/4	24-3/32	7-1/2	6-5/16	1-5/16	4-11/16	4-1/8	15420
600	36	27-29/32	17-9/32	25-5/8	7-13/16	6-5/8	1-7/16	5	4-3/8	17270
800	39-11/16	30-11/16	19	28-3/16	8-3/4	7-5/16	1-9/16	5-9/16	4-7/8	20970
1000	42-3/16	33-1/8	20-1/2	30-3/8	9-13/32	7-15/16	1-11/16	6	5-1/4	24700
1200	45-3/8	35-1/8	21-3/4	32-1/4	10	8-3/16	1-7/8	6-3/8	5-1/2	28360
1300	46-5/8	36	22-3/8	33-1/8	10-9/32	8-11/16	1-3/4	6-3/8	5-11/16	30210
1500	49	37-7/8	23-1/2	34-3/4	10-3/4	9	2	6-7/8	6	33810
1800	52	40-1/4	24-15/16	36-15/16	11-7/16	9-9/16	2-1/16	7-5/16	6-3/8	39000
2000	54	41-11/16	25-13/16	38-1/4	11-7/8	9-15/16	2-1/8	7-9/16	6-1/2	42450
2200	54-5/8	43	26-5/8	39-1/2	12-1/4	10-1/4	2-3/16	7-13/16	6-3/4	45730
2500	58	44-7/8	27-13/16	41-1/4	12-3/4	10-3/4	2-1/4	8-3/16	7-3/16	50660
3000	63-1/2	50	30-1/2	44-1/2	13-7/8	11-1/4	2-3/8	8-1/2	7-1/2	58720
3500	64-7/8	50-1/8	31-1/16	46-3/32	14-9/32	12	2-1/2	8-15/16	7-7/8	66220
4000	67-7/8	52-1/2	32-9/16	48-7/32	14-15/16	12-1/2	2-11/16	9-9/16	8-13/16	73720
5000	73	56-9/16	35	51-15/16	16-1/16	13-1/2	2-7/8	10-1/4	9-1/8	87360
6000	77-3/4	60-3/16	37-5/16	55-1/4	17-1/8	14-5/16	3-1/16	10-15/16	9-5/8	99760
7000	82	63-1/4	39-1/4	58-1/16	18-1/32	15-1/8	3-3/16	11-1/2	9-15/16	111440
8000	85-1/2	66-1/4	41	60-3/4	18-7/8	15-3/4	3-3/8	12	10-3/8	121830
9000	88-7/8	68-3/4	42-5/8	63-1/8	19-5/8	16-3/8	3-1/2	12-1/2	10-13/16	131480
10000	92	71-1/4	44-1/8	65-3/8	20-5/16	17	3-5/8	12-15/16	13-3/16	140830
11000	95	73-9/16	45-5/8	67-1/2	20-29/32	17-1/2	3-3/4	13-3/8	11-3/4	149100
12000	97-7/8	75-3/4	47	69-1/2	21-19/32	18	3-7/8	13-3/4	11-7/8	156600
13000	100	77-3/8	46-5/8	71-1/16	22	18-3/8	3-15/16	14-1/8	12-5/16	164100
14500	104	80-5/8	50	74	22-9/16	19-3/16	4-1/8	14-5/8	12-7/8	174100
15000	105-1/2	82-1/4	51	73-1/4	23-1/8	19-5/8	4-1/4	15	13	177220
16000	107-11/16	83-11/32	51-5/8	76-1/2	23-23/32	19-7/8	4-1/4	15-1/8	13-1/4	183500
18000	112	86-5/8	53-3/4	79-9/16	24-5/8	20-5/8	4-3/8	15-3/4	13-13/16	194720
20000	116	89-3/4	55-5/8	82-7/16	25-1/2	21-7/16	4-1/2	16-1/4	14-5/16	204720
22500	120-1/2	93-5/16	57-13/16	85-11/16	26-17/32	22-1/4	4-3/4	17	14-7/8	217000
25000	125	96-11/16	59-15/16	88-13/16	27-1/2	22-15/16	5	17-9/16	15-7/16	232100
30000	132-3/4	102-11/16	63-5/8	94-1/4	29-7/32	24-7/16	5-1/4	18-11/16	16-3/8	252800
35000	139-3/4	108	67-1/16	99-5/16	30-3/4	25-3/4	5-1/2	19-11/16	17-1/4	269900
40000	146	113-1/6	70	103-1/8	32-1/4	27-1/8	5-5/8	20-1/2	17-3/4	284300
45000	152	117-5/8	72-7/8	108	33-7/16	28	6	21-3/8	18-3/4	296400
60000	188	125-3/4	87-5/16	132-7/8	38-11/16	29	7-1/2	24-1/2	20-1/2	372700

Intermediate sizes available upon request.
 Dimensions above are in inches, anchor weight in pounds.
 Certified drawings of anchors, listed above, and of intermediate and larger sizes may be furnished on request.

AC-14 HIGH HOLDING POWER

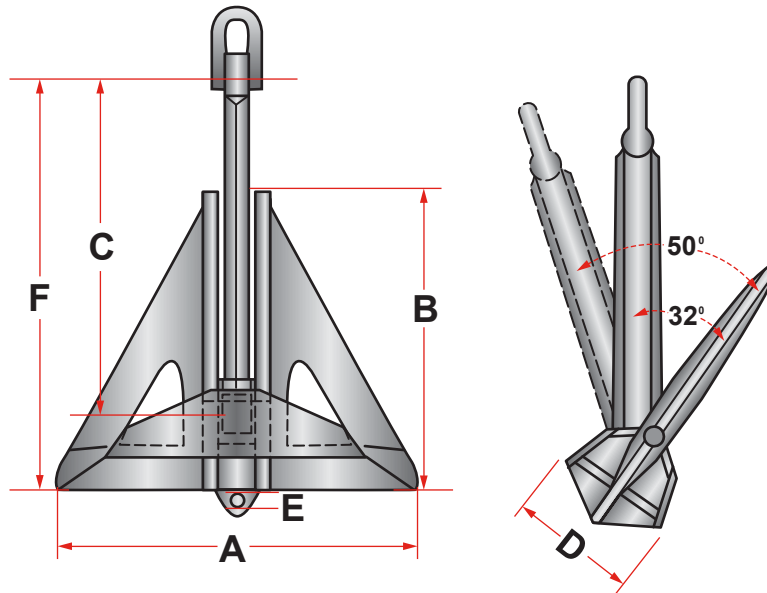
APPROX. WEIGHTS AND DIMENSIONS



WEIGHT KG	DIMENSIONS IN MM								
	A	B	C	D	E	F	G	H	I
180	904	811	251	157	550	434	138	135	36
225	974	874	270	169	593	468	149	145	39
340	1109	995	307	192	675	533	169	165	45
460	1227	1101	340	212	747	590	187	182	49
675	1398	1254	389	242	851	672	213	207	56
910	1540	1382	427	267	938	740	235	229	62
1140	1660	1490	460	287	1011	798	253	246	67
1360	1761	1580	488	305	1072	846	269	261	71
1590	1855	1665	514	321	1130	892	283	275	75
1820	1940	1741	538	336	1182	933	296	288	78
2440	2016	1809	559	349	1227	969	308	299	81
2270	2089	1874	579	362	1272	1004	319	310	84
2720	2218	1991	615	384	1351	1066	339	329	90
3040	2302	2066	638	399	1402	1107	351	342	93
3240	2352	2110	652	407	1432	1130	359	349	95
3445	2400	2154	665	415	1462	1154	366	356	97
3670	2451	2200	680	424	1493	1178	374	364	99
3940	2510	2252	696	434	1529	1207	383	373	101
4210	2566	2303	711	444	1563	1234	392	381	104
4500	2624	2355	727	454	1598	1261	401	389	106
4840	2688	2412	745	465	1637	1292	410	399	108
5175	2749	2467	762	476	1674	1321	420	408	111
5515	2808	2520	778	486	1710	1350	429	417	113
5850	2864	2570	794	496	1744	1376	437	425	116
6225	2923	2623	810	506	1780	1405	446	434	118
6525	2970	2665	823	514	1808	1428	453	441	120
6600	2981	2675	826	516	1815	1433	455	443	120
7015	3042	2730	843	527	1853	1462	464	452	123

WEIGHT KG	DIMENSIONS IN MM								
	A	B	C	D	E	F	G	H	I
7425	3100	2782	859	537	1888	1490	473	460	125
7875	3162	2837	876	547	1925	1520	483	469	128
8325	3221	2890	893	558	1961	1548	492	478	130
8775	3278	2942	909	567	1996	1576	500	487	132
9225	3333	2991	924	577	2030	1602	509	495	134
9675	3386	3039	939	586	2062	1628	517	503	137
10125	3438	3085	953	595	2094	1653	525	511	139
10575	3488	3130	967	604	2124	1677	533	518	141
10690	3501	3141	970	606	2132	1683	535	519	141
11025	3537	3174	981	612	2154	1700	540	525	143
11250	3561	3196	987	616	2169	1712	544	529	144
11550	3592	3224	996	622	2188	1727	548	533	145
11850	3623	3251	1004	627	2206	1742	553	537	146
12075	3646	3272	1011	631	2220	1753	557	541	147
12525	3691	3312	1023	639	2248	1774	563	548	149
12675	3705	3325	1027	641	2256	1781	566	550	150
13200	3756	3370	1041	650	2287	1805	573	558	152
13350	3770	3383	1045	653	2296	1812	576	560	152
13875	3819	3426	1059	661	2326	1836	583	567	154
14100	3839	3445	1064	665	2338	1846	586	570	155
15000	3919	3517	1086	678	2387	1884	599	582	158
16125	4015	3603	1113	695	2445	1930	613	596	162
17250	4106	3685	1138	711	2501	1974	627	610	166
18375	4194	3763	1163	726	2554	2016	640	623	169
19500	4278	3839	1186	740	2605	2056	653	635	173
20625	4358	3811	1208	754	2654	2095	665	647	176
21750	4436	3980	1230	768	2701	2132	677	659	179

DELTA TYPE ANCHOR SUPERIOR HOLDING POWER



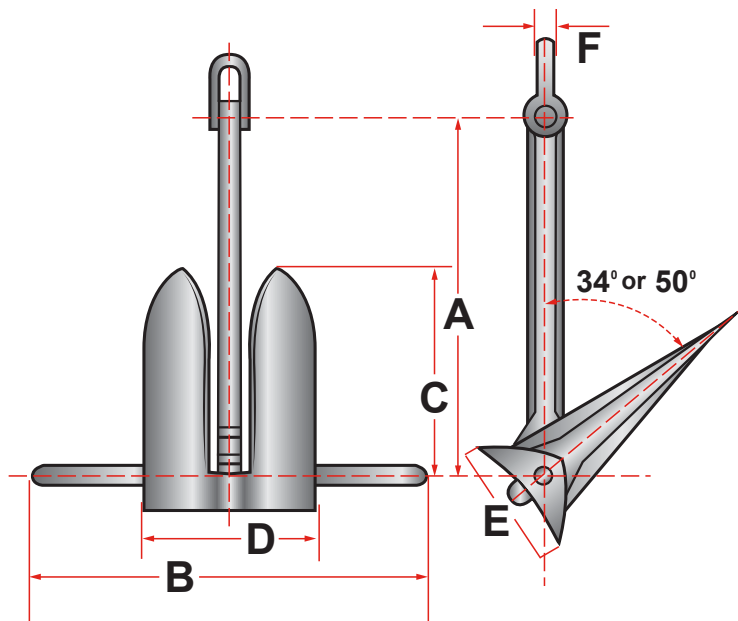
APPROXIMATE WEIGHTS AND DIMENSIONS

ANCHOR WT IN KG	DIMENSIONS IN MM							
	A	B	C	D	E	F	SHACKLE DIA.	EYE
1000	1960	1560	1755	740	45	2605	52	50
1500	2250	1800	2025	840	45	2660	60	50
2000	2470	2000	2250	930	50	2960	70	60
2500	2660	2130	2395	1005	52	3150	70	60
3000	2830	2285	2565	1070	55	3380	80	60
3500	3000	2400	2700	1120	55	3550	80	70
4000	3180	2560	2880	1190	65	3790	90	60
5000	3300	2660	2995	1260	75	3945	100	70
6000	3560	2870	3230	1345	75	4250	100	80
7000	3750	2995	3365	1405	78	4440	110	90
7500	3850	3080	3465	1435	85	4565	110	90
9000	4130	3320	3735	1550	85	4925	125	100
10000	4270	3400	3825	1600	85	5040	125	100
12000	4530	3600	4050	1705	90	5335	130	110
13500	4670	3730	4195	1765	90	5535	140	110
15000	4845	3875	4355	1830	90	5735	140	120
18000	5265	4120	4635	1935	105	6110	150	120
20000	5410	4320	4860	2010	105	6405	160	130
22500	5490	4360	4905	2060	105	6470	170	140
27500	5980	4785	5385	2245	120	7095	180	140
32500	6200	4930	5540	2310	120	7320	165GP	150
40000	6650	5290	5945	2480	120	7850	175GP	150
50000	7150	5690	6390	2670	130	8440	195GP	180
60000	7600	6040	6800	2830	140	9000	210GP	190
75000	8200	6560	7380	3100	150	9430	220GP	220

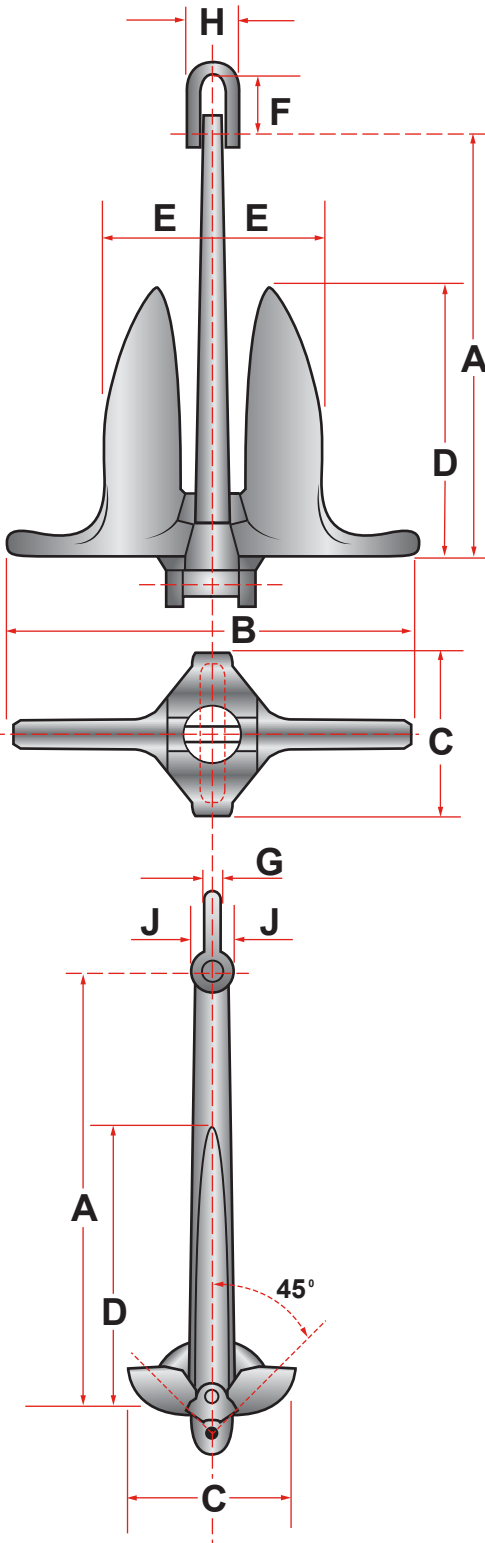
MOORFAST ANCHOR

ANCHOR WT	A	B	C	D	E	F	PROOF TEST
1000	61	75	37	25	19	2	30000
3000	88	109	54	37	27	3	72500
6000	101	143	61	42	31	3-1/2	121300
8000	122	153	75	51	38	3-1/2	145000
10000	131	157	80	55	41	4	165600
12000	139	167	85	58	43	4	184700
14000	147	177	90	61	45	4	205000
16000	153	187	94	64	48	4-1/2	222700
20000	164	196	102	69	51	4-1/2	249400
30000	189	217	118	79	59	5	319400
40000	215	248	127	86	63	5-1/2	386000
50000	222	257	132	89	66	6	448300
60000	232	271	140	95	70	6	506200
70000	244	274	147	100	73	6	561400
80000	255	298	154	105	77	6-1/2	613300
90000	266	310	160	109	80	6-1/2	661200
100000	275	320	166	113	83	7	706400

All specifications in pounds and inches.
Intermediate sizes may be furnished on request.



SNUG STOWING ANCHOR



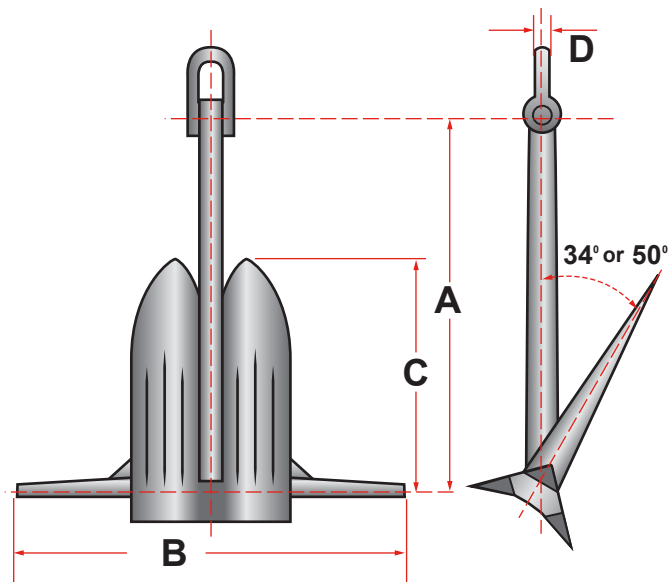
ANCHOR WT	A	B	C	D	E	F	G	H	J	PROOF TEST
200	30-7/8	29-11/16	12-1/16	20-1/8	16-3/16	3-3/4	1	3-11/16	2-3/4	10100
250	33-5/16	32	13	21-11/16	17-7/16	3-3/4	1	3-11/16	3	11600
300	35-3/16	34	13-3/4	23	18-1/2	3-3/4	1	3-11/16	3-1/8	13000
350	37-3/16	35-3/4	14-1/2	24-1/4	19-1/2	3-3/4	1	3-11/16	3-3/8	14300
400	38-7/8	37-3/8	15-1/4	25-3/8	20-3/8	3-3/4	1	3-11/16	3-1/2	15600
450	40-3/8	38-7/8	15-3/4	26-3/8	21-1/8	3-3/4	1	3-11/16	3-5/8	16900
500	41-3/4	40-1/4	16-3/8	27-1/4	21-7/8	4-5/8	1-1/4	4-17/32	3-3/4	18100
750	48	46	18-3/4	31-1/4	25-1/8	4-5/8	1-1/4	5-3/8	4-3/8	24100
1000	52-3/4	50-3/4	20-5/8	34-3/8	27-5/8	5-11/16	1-1/2	5-3/8	4-3/4	30000
2000	66-1/2	64	26	43-1/4	34-7/8	7-7/8	2	7-1/4	6	52300
3000	76	73	29-5/8	49-1/2	39-3/4	9-3/8	2-1/2	9-1/8	6-7/8	72500
4000	83-3/4	80-1/2	32-3/4	54-1/2	43-7/8	9-3/8	2-1/2	9-1/8	7-1/2	90700
5000	90-3/8	86-3/4	35-1/4	58-3/4	47-1/4	10-1/8	3	11	8-1/8	107000
6000	96	92-1/8	37-1/2	62-1/2	50-1/4	10-1/8	3	11	8-3/8	121300
7000	101	97	39-1/2	65-3/4	52-7/8	10-1/8	3	11	9-1/8	134300
8000	105-3/4	101-1/2	41-1/4	68	55-3/8	10-1/8	3	11	9-1/2	145600
9000	110	105-1/2	43	71-1/2	57-1/2	12-3/8	3-1/2	12-1/4	10	155600
10000	113-3/4	109-1/4	44-1/2	74	59-1/2	12-3/8	3-1/2	12-1/4	10-1/4	165600
11000	117-1/2	112-7/8	45-3/4	76-1/2	61-1/2	19	4	13-3/4	10-1/2	174600
12000	120-3/4	116	47-1/8	78-5/8	63-1/4	19	4	13-3/4	10-1/8	184700
13000	124	119-1/8	48-3/8	80-3/4	64-7/8	19	4	13-3/4	11-1/8	194300
14000	127-1/4	122-1/4	49-5/8	82-3/4	66-5/8	19	4	13-3/4	11-1/2	205000
15000	130	125	50-3/4	84-5/8	68	19	4	13-3/4	11-3/4	213700
16000	133-1/4	128	52	86-3/4	69-3/4	19	4	13-3/4	12	222700
17000	136	130-1/2	53-1/8	88-1/2	71-1/8	19	4-1/2	13-3/4	12-1/4	230000
18000	138-3/4	133-1/8	54-1/8	90-1/4	72-1/2	22	4-1/2	15-3/4	12-1/2	238000
19000	141	135-1/2	55	91-7/8	73-7/8	22	4-1/2	15-3/4	12-3/4	244100
20000	143-1/4	137-5/8	56	93-1/4	75	22	4-1/2	15-3/4	12-7/8	249400
25000	154	148	60-1/4	100-1/2	80-3/4	22	4-1/2	15-3/4	13-7/8	282500
30000	164	157-1/2	64-1/8	106-3/4	86	24	5	17-3/4	14-3/4	319400
40000	180	173	70	117	94	26	5-1/2	19	16	386400
50000	195	187	76	126	102	28	6	20	18	448300
60000	206	197	80	134	108	30	6	22	19	506200
70000	218	208	85	140	113	32	6-1/2	23	20	561400
80000	227	218	89	146	120	33	6-1/2	24	21	613400
90000	236	226	92	153	126	35	7	26	22	690000
100000	244	234	95	158	130	36	7	27	23	767000

All specifications in pounds and inches.
Intermediate sizes may be furnished on request.

STATO MOORING ANCHOR

ANCHOR WT	A	B	C	D
200	42	59	26	3/4
3000	129	109	72	1-3/4
6000	144	143	92	2-1/4
9000	160	170	100	2-3/4
12000	186	197	113	3
15000	204	224	126	3-1/2
20000	210	230	129	3-3/4
25000	226	246	137	4
30000	235	257	145	5
35000	248	271	153	5-1/4
40000	258	283	160	5-1/2
45000	269	295	166	5-3/4
50000	277	303	171	6

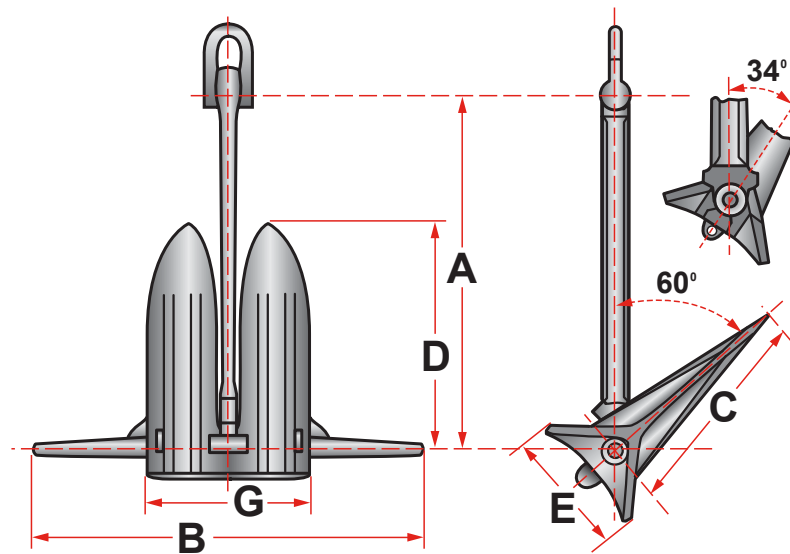
All specifications in pounds and inches.
Intermediate sizes may be furnished on request.



OFFDRILL ANCHOR HIGH HOLDING POWER

APPROX. WEIGHTS AND DIMENSIONS

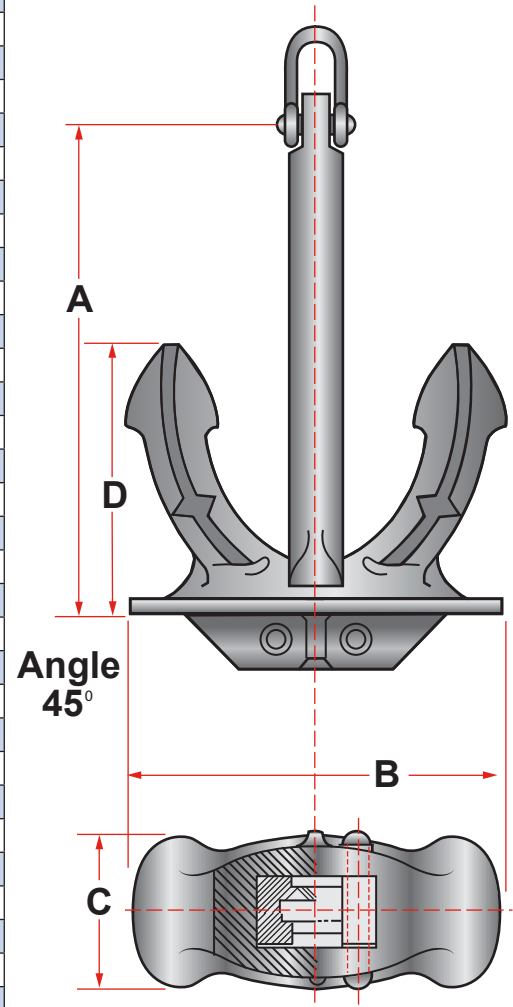
ANCHOR WEIGHT KG	DIMENSIONS IN MM					
	A	B	C	D	E	G
454	1545	1900	920	1095	480	645
1360	2230	2770	1330	1580	690	930
2721	2570	3630	1530	1820	795	1071
3628	3095	3890	1840	2190	960	1290
4535	3335	4000	1985	2360	1032	1390
5443	3540	4250	2110	2505	1095	1475
6350	3730	4500	2220	2640	1155	1555
7256	3900	4750	2320	2760	1205	1625
9080	4200	5000	2500	2975	1300	1750
13606	4810	5335	2860	3405	1490	2005



HALL ANCHOR

WEIGHT KG	A MM	B MM	C MM	D MM
50	575	410	184	300
75	660	480	210	340
100	723	510	230	375
125	780	550	245	405
150	835	580	264	430
180	888	625	281	454
200	915	645	290	470
225	950	670	300	493
240	985	694	312	510
275	1020	710	322	527
300	1050	738	330	543
325	1075	758	338	557
360	1190	778	346	570
400	1150	810	360	595
420	1175	826	368	607
450	1200	845	373	620
480	1220	860	380	630
500	1240	875	386	640
570	1280	904	400	660
600	1320	930	410	680
660	1360	955	420	700
700	1390	980	430	715
750	1425	1000	440	730
780	1450	1030	450	750
850	1480	1050	460	765
900	1490	1053	480	772
950	1520	1072	484	787
1020	1545	1090	496	800
1140	1600	1126	512	825
1200	1650	1165	530	855
1290	1670	1180	535	865
1350	1700	1205	550	890
1440	1800	1245	555	895
1590	1890	1260	565	900
1740	1910	1290	582	945
1920	1930	1362	616	999
2100	2020	1407	623	1020
2280	2040	1446	640	1033
2460	2120	1483	667	1076
2640	2170	1519	672	1085
2850	2200	1540	700	1140

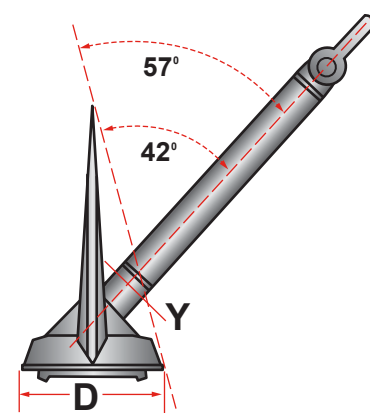
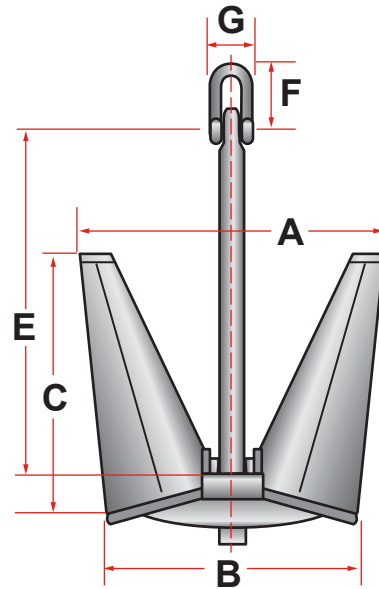
WEIGHT KG	A MM	B MM	C MM	D MM
3060	2261	1596	720	1172
3300	2330	1636	734	1180
3540	2336	1650	674	1210
3780	2679	1844	733	1295
4050	2466	1740	712	1278
4320	2667	1790	763	1290
4590	2784	1889	780	1384
4890	2923	2011	804	1413
5250	2728	1910	846	1364
5510	2788	1952	864	1394
6000	3270	2033	829	1525
6450	2920	2048	906	1461
6900	2930	2064	932	1512
7350	3072	2150	950	1536
7800	3113	2179	965	1556
8300	3208	2246	995	1604
8700	3253	2270	1005	1626
8900	3268	2275	1012	1634
9300	3301	2311	1023	1650
9900	3330	2360	1045	1686
10200	3338	2372	1070	1694
10500	3438	2407	1075	1719
11100	3502	2452	1086	1751
11700	3565	2495	1105	1780
12300	3600	2520	1140	1800
12900	3681	2577	1141	1840
13500	3738	2616	1159	1869
14100	3793	2655	1176	1896
14700	3845	2690	1190	1925
15400	3880	2716	1210	1940
16100	3964	2775	1229	1982
16900	4030	2820	1250	2015
17800	4099	2869	1270	2049
18800	4175	2920	1295	2085
20000	4262	2985	1320	2130
21500	4365	3055	1355	2180
23000	4465	3125	1385	2230
24500	4560	3190	1415	2280
26000	4651	3255	1442	2325
27500	4720	3315	1470	2370
29000	4825	3375	1495	2410



POOL "N" TYPE ANCHOR HIGH HOLDING POWER

TABLE OF MAIN DIMENSIONS IN MM

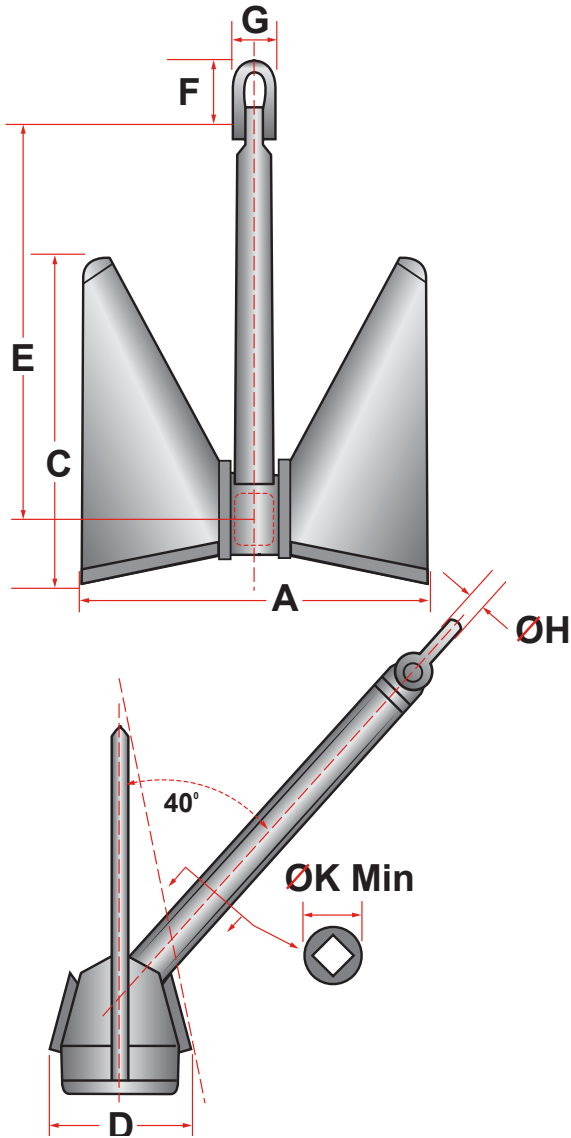
WEIGHT KG	A	B	C	D	E	F	G
4	224	190	198	106	265	41	23
8	282	239	250	133	334	62	37
12	323	274	286	153	382	80	50
16	355	302	315	168	421	80	50
20	383	325	339	181	453	90	60
24	407	346	361	193	482	90	60
32	448	380	397	212	530	100	80
40	482	410	427	228	571	100	80
48	512	435	454	243	607	120	90
60	560	475	490	262	654	120	90
75	595	505	526	282	704	120	90
90	632	537	559	299	748	120	90
105	665	565	588	315	788	142	105
125	703	597	622	333	833	142	105
135	723	615	640	343	857	142	105
180	796	676	706	377	942	157	115
225	858	728	760	406	1016	170	125
270	911	774	807	432	1079	186	135
315	960	815	850	455	1136	201	150
360	1002	852	888	475	1188	201	150
430	1062	902	940	503	1258	236	175
495	1115	948	988	528	1320	236	175
585	1180	1002	1045	558	1396	284	185
675	1236	1050	1096	586	1465	284	185
765	1290	1096	1144	610	1527	284	185
855	1338	1138	1185	634	1585	306	225
970	1395	1185	1236	660	1652	306	225
1080	1446	1230	1282	685	1714	306	225
1195	1495	1270	1323	708	1771	306	225
1305	1541	1309	1364	730	1825	306	225
1440	1592	1352	1412	754	1886	306	225
1575	1640	1386	1454	777	1942	361	255
1710	1686	1433	1492	799	1997	361	255
1845	1729	1469	1530	819	2048	361	255
1980	1770	1504	1570	838	2098	361	255
2140	1816	1543	1608	860	2151	361	255
2295	1860	1580	1650	880	2202	361	255
2475	1910	1620	1690	904	2260	400	290
2655	1954	1664	1730	925	2312	400	290
2835	1996	1700	1770	945	2364	400	290
3040	2042	1735	1810	968	2418	400	290
3240	2086	1773	1850	988	2471	400	290
3445	2129	1809	1887	1009	2522	400	290
3670	2174	1847	1928	1030	2575	450	325
3940	2226	1892	1970	1055	2637	450	325
4210	2276	1934	2018	1078	2696	450	325
4500	2328	1978	2064	1103	2757	450	325
4840	2385	2026	2114	1130	2824	500	360
5175	2439	2072	2162	1155	2889	500	360
5515	2491	2116	2208	1180	2950	500	360
5850	2541	2159	2252	1204	3009	550	400
6225	2594	2204	2299	1229	3072	550	400
6525	2635	2239	2336	1248	3121	550	400



WEIGHT KG	A	B	C	D	E	F	G
6975	2695	2290	2390	1276	3190	550	400
7425	2750	2338	2439	1303	3258	600	435
7875	2805	2384	2487	1329	3323	600	435
8325	2858	2428	2533	1354	3385	650	470
8775	2908	2471	2578	1378	3445	650	470
9225	2958	2512	2622	1401	3502	650	470
9675	3004	2553	2664	1423	3558	700	500
10125	3050	2592	2704	1445	3613	700	500
10575	3095	2630	2747	1466	3666	700	500
12075	3235	2748	2868	1533	3831	750	540
14100	3406	2894	3020	1614	4034	800	570
17250	3643	3095	3230	1726	4315	870	625
20625	3867	3285	3428	1832	4580	930	665
24750	4109	3491	3643	1947	4867	930	665
28875	4324	3675	3838	2049	5123	980	695
34500	4590	3890	4070	2175	5437	1000	715

POOL "T.W." TYPE ANCHOR HIGH HOLDING POWER

TABLE OF MAIN DIMENSIONS



WEIGHT KG	MAIN DIMENSIONS IN MM							
	A	C	D	E	F	G	OH	MMOK
90	616	627	223	744	120	90	22	100
105	648	660	235	781	142	105	26	110
125	687	700	249	830	142	105	26	110
135	705	718	255	852	142	105	26	110
180	776	790	281	937	157	115	29	125
225	836	852	303	1010	170	125	32	135
270	888	905	322	1073	186	135	35	140
315	935	953	339	1129	201	150	38	155
360	977	996	354	1181	201	150	38	155
430	1037	1056	376	1253	236	175	45	180
495	1087	1107	394	1313	236	175	45	180
585	1149	1171	417	1318	284	185	47	190
675	1205	1228	437	1456	284	185	47	190
765	1257	1280	455	1518	284	185	47	195
855	1304	1329	473	1576	306	225	60	230
970	1360	1386	493	1643	306	225	60	230
1080	1409	1436	511	1703	306	225	60	230
1195	1458	1486	528	1762	306	225	60	235
1305	1501	1500	544	1814	306	225	60	235
1440	1552	1581	562	1875	306	225	60	245
1575	1599	1629	579	1931	361	255	70	260
1710	1643	1674	596	1985	361	255	70	260
1845	1685	1717	611	2036	361	255	70	260
1980	1725	1758	625	2084	361	255	70	275
2140	1771	1805	642	2139	361	255	70	280
2295	1812	1847	657	2190	361	255	70	290
2475	1858	1894	674	2245	400	290	80	295
2655	1903	1939	690	2299	400	290	80	305
2835	1945	1981	705	2349	400	290	80	305
3040	1990	2028	721	2405	400	290	80	315
3240	2033	2072	737	2456	400	290	80	315
3445	2075	2114	752	2507	400	290	80	325
3670	2119	2159	769	2560	450	325	90	330
3948	2170	2211	787	2622	450	325	90	340
4210	2219	2261	804	2680	450	325	90	345

SPEK ANCHOR

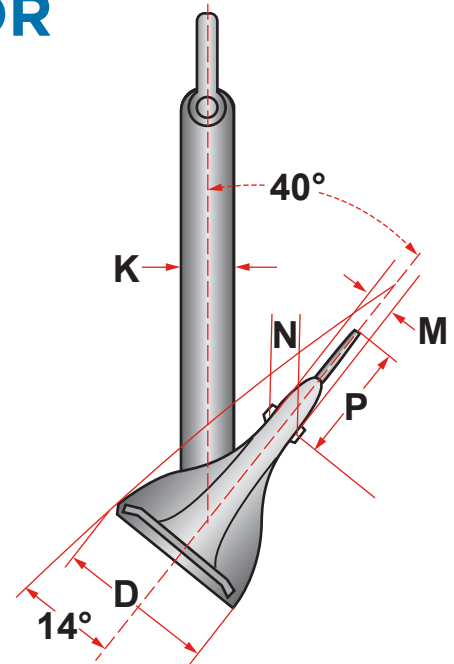
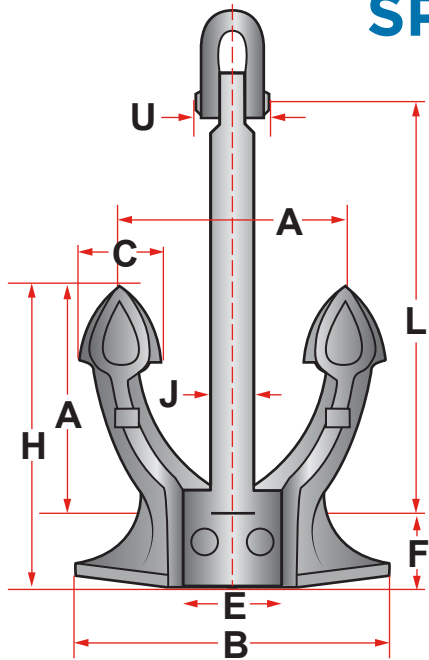


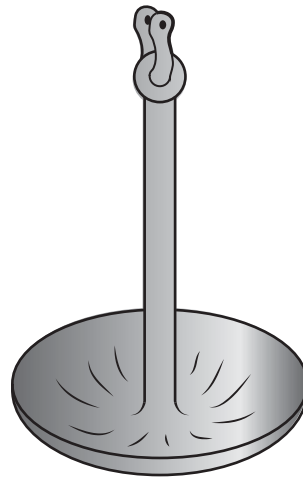
TABLE OF MAIN DIMENSIONS

WEIGHT	A	B	C	D	E	F	H	J	K	L	M	N	P
240 - 310	500	690	160	342	220	150	650	100	120	900	26	54	270
310 - 380	550	760	175	390	228	166	716	110	130	990	28	63	300
380 - 480	600	827	190	412	258	180	780	120	135	1080	23	69	320
480 - 610	650	908	205	442	280	196	846	130	160	1170	31	74	350
610 - 735	700	960	221	472	302	210	910	140	170	1260	33	86	375
735 - 880	750	1030	235	502	320	225	975	150	185	1350	34	77	400
880 - 1030	800	1100	251	542	340	240	1040	160	195	1440	38	80	430
1030 - 1150	850	1170	270	568	362	252	1102	170	200	1530	31	76	460
1150 - 1400	900	1240	286	587	328	268	1168	180	210	1620	38	87	485
1400 - 1750	950	1299	295	644	420	279	1229	190	220	1710	44	99	510
1750 - 2020	1000	1378	316	671	442	300	1300	200	235	1800	52	107	540
2020 - 2360	1050	1454	330	706	460	312	1362	210	240	1890	52	123	565
2360 - 2750	1100	1514	343	744	480	324	1424	220	265	1980	52	133	590
2750 - 3000	1150	1584	362	788	492	352	1502	230	285	2070	68	141	620
3000 - 3700	1200	1650	380	801	520	360	1560	245	300	2160	58	138	645
3700 - 4000	1350	1850	418	890	580	393	1743	265	330	2430	58	138	720
4000 - 5100	1400	1927	438	910	610	413	1813	280	340	2520	68	142	750
5100 - 5800	1450	2000	451	954	626	414	1864	290	345	2610	65	161	780
5800 - 6600	1500	2060	467	998	642	446	1946	300	355	2700	65	160	810
6600 - 8000	1550	2138	490	1030	660	456	2006	310	370	2790	64	169	835
8000 - 9600	1700	2333	533	1118	734	510	2210	330	410	3060	67	175	920
9600 - 11700	1770	2440	559	1178	782	531	2301	350	435	3186	83	180	955
11700 - 14100	1910	2632	603	1270	844	573	2483	380	470	3438	87	192	1030
14100 - 17000	2050	2825	648	1360	876	615	2665	410	500	3690	91	204	1105

All specifications in kilograms and millimeters. Intermediate sizes may be furnished on request.

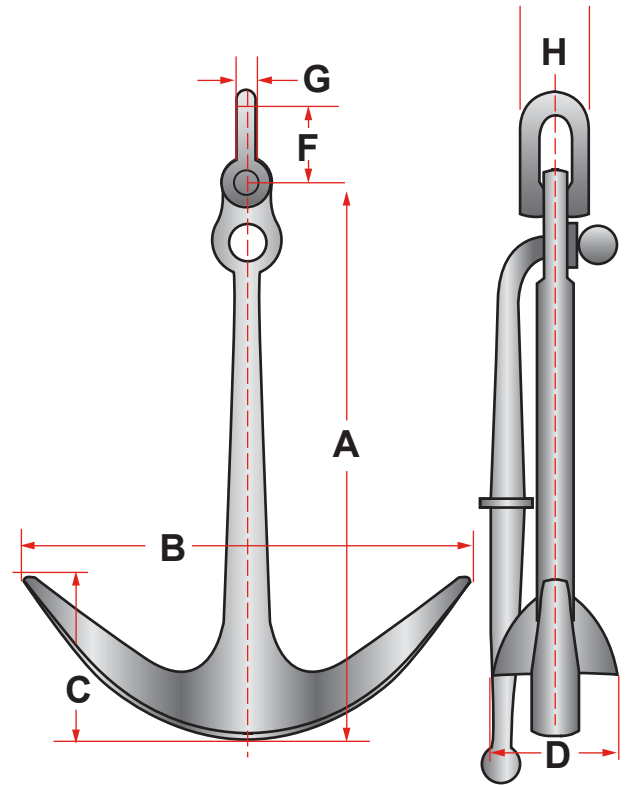
MUSHROOM ANCHOR MOORING SIZES

WEIGHT LBS.	DIMENSIONS IN INCHES				
	BELL THICKNESS	BELL DIAM.	SHANK DIAM.	EYE DIAM.	O.A. LENGTH
50	1/4	20	1-1/4	7/8	34
100	1/2	25-1/2	1-1/4	1	48
150 S.	1	26	1-1/2	1	24
150 L.	1/2	29-1/2	1-1/2	1	52
200	5/8	32	1-1/2	1-1/8	56
250	3/4	34-1/2	2-1/4	1-1/4	64
300	3/4	34-1/2	2-1/4	1-1/4	64
350	3/4	37	2-1/4	1-1/4	70



OLD STYLE (KEDGE) ANCHOR

ANCHOR WT	WEIGHT N-STOCK	A	B	C	D	F	H	G	PROOF TEST
100	81	36	27	9	6	5	5	1	6850
150	119	41	31	11	8	5	5	1	7686
200	156	45	34	12	8	5	5	1	8500
250	199	49	38	13	9	7	6	1	9334
300	236	51	40	14	10	7	6	1	10090
350	274	54	42	15	10	7	6	1	10834
400	316	56	43	15	11	7	6	1	11560
450	354	58	45	16	11	7	6	1	12305
500	391	60	56	17	11	7	6	1	13030
550	429	63	49	17	12	7	6	1	13767
600	466	64	50	17	12	7	6	1	14500
650	504	66	52	18	13	7	6	1	15192
700	554	68	53	18	13	8	7	1	15885
750	592	71	54	19	13	8	7	1	16585
800	629	71	55	19	13	8	7	1	17270
850	667	73	57	20	14	8	7	1	17973
900	704	74	58	20	14	8	7	1	18660
950	742	76	59	21	14	8	7	1	19360
1000	779	77	60	21	15	8	7	1	20050
1050	831	78	61	21	15	8	8	2	20748
1100	868	79	61	21	15	9	8	2	21430
1150	906	80	62	22	15	9	8	2	22135
1200	943	81	63	22	15	9	8	2	27820
1250	981	83	64	23	16	9	8	2	23523
1300	1018	84	65	23	16	9	8	2	24205
1350	1056	85	66	23	16	9	8	2	24910
1400	1093	85	66	23	16	9	8	2	25590
1500	1168	88	68	24	17	9	8	2	26980
1600	1259	89	69	24	17	11	9	2	28360
1700	1334	91	71	25	17	11	9	2	29750
1800	1409	93	72	25	18	11	9	2	31140
1900	1484	94	73	26	18	11	9	2	32500
2000	1559	97	75	26	18	11	9	2	33810
2100	1634	98	76	27	19	11	9	2	35125
2200	1728	99	77	27	19	12	10	2	36440
2300	1803	101	78	27	19	12	10	2	37750
2400	1878	102	79	28	20	12	10	2	39080
2500	1953	103	81	28	20	12	10	2	40375
2600	2028	103	81	29	20	12	10	2	41630
2700	2103	106	83	29	20	12	10	2	42860
2800	2178	107	84	29	21	12	10	2	44090
2900	2253	109	85	30	21	12	10	2	45320
3000	2386	110	86	30	21	15	12	2	46550
3250	2374	113	88	31	22	15	12	2	49643
3500	2761	116	90	32	22	15	12	3	52710
3750	2949	119	93	33	23	15	12	3	55793
4000	3136	122	95	33	23	15	12	3	58720
4250	3324	124	96	34	24	15	12	3	61540
4500	3516	127	99	35	24	15	12	3	64420



ANCHOR WT	WEIGHT N-STOCK	A	B	C	D	F	H	G	PROOF TEST
4750	3699	129	101	35	25	15	12	3	67165
5000	3886	131	102	36	25	15	12	3	69970
5250	4145	133	103	36	26	17	13	3	72790
5500	4332	135	105	37	26	17	13	3	75511
5750	4520	137	107	38	26	17	13	3	78028
6000	4707	139	109	38	27	17	13	3	80600
6250	4895	141	110	39	27	17	13	3	83164
6500	5082	143	111	39	27	17	13	3	85824
6750	5270	144	112	40	28	17	13	3	86154
7000	5457	146	114	40	28	17	13	3	90510
7250	5645	148	115	40	28	17	13	3	92879
7500	5832	150	117	41	29	17	13	3	95283
7750	6020	151	118	41	29	17	13	3	97497
8000	6207	153	119	42	29	17	13	3	99760
8250	6327	154	120	42	30	19	14	4	102033
8500	6714	156	122	43	30	19	14	4	104310
8750	6902	157	123	43	30	19	14	4	106413
9000	7089	159	124	43	31	19	14	4	108563
9250	7277	160	125	44	31	19	14	4	110727
9500	7464	162	126	44	31	19	14	4	112831
9750	7652	163	127	45	31	19	14	4	114789
10000	7839	164	128	45	32	19	14	4	116730

Intermediate sizes may be furnished on request.
Dimensions above are in inches, anchor weight in pounds.