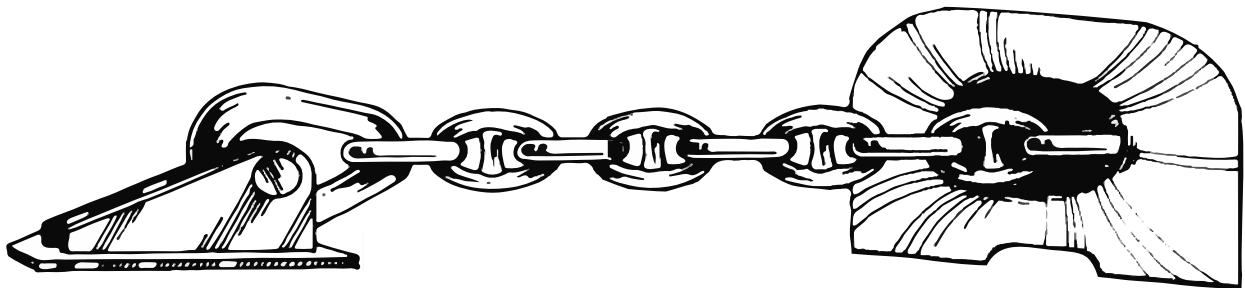


TOWING

**WE'LL GIVE YOU SOMETHING TO HOLD ON TO...
EQUIPMENT FOR EMERGENCY TOWING.**

CHAIN



SMIT BRACKET

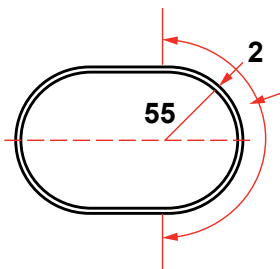
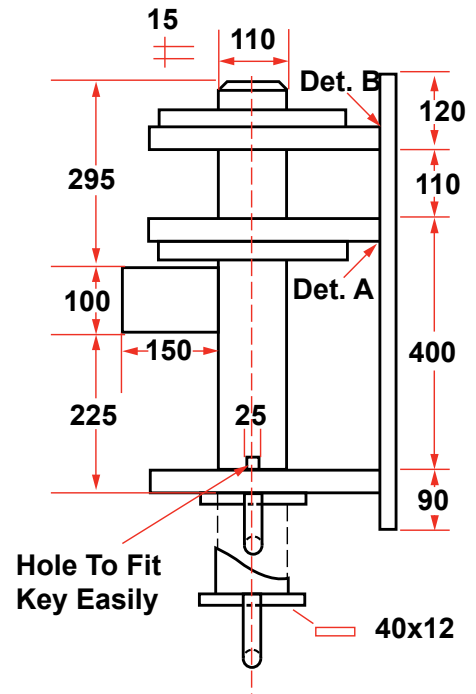
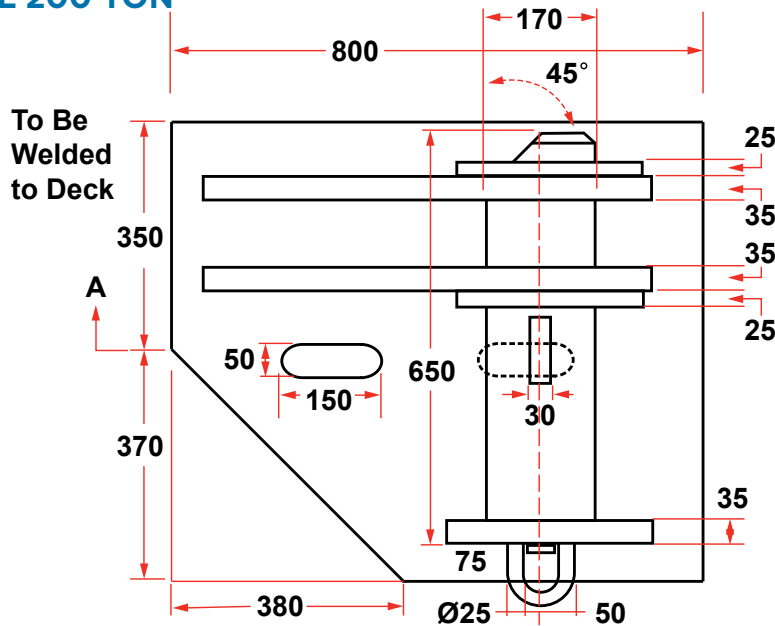
PANAMA CHOCK

**WE OFFER A COMPLETE STOCK OF EQUIPMENT FOR EMERGENCY TOWING
ARRANGEMENTS, SUCH AS SMIT TOWING BRACKETS, PANAMA CHOCKS, CHAFING
CHAINS, SEA-LINK TOWING SHACKLES AND SEA-LINK TOWING PLATES.**

SMIT BRACKET WITH ABS CERTIFICATION

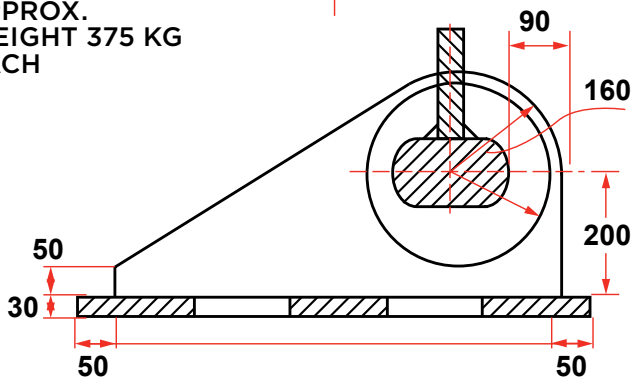
**LARGE SIZE
SWL 200 TON**

**CONNECTION FOR 3-1/4"
TOWING CHAIN**

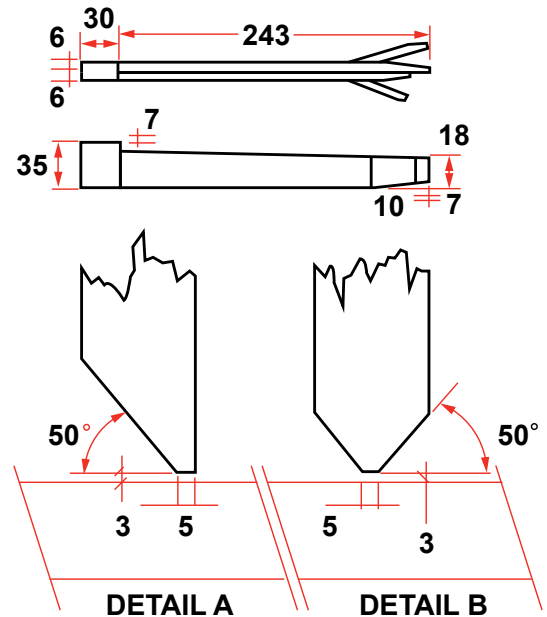


AT LEAST THIS PART OF
BOLT AND HOLES TO BE
MACHINED

APPROX.
WEIGHT 375 KG
EACH



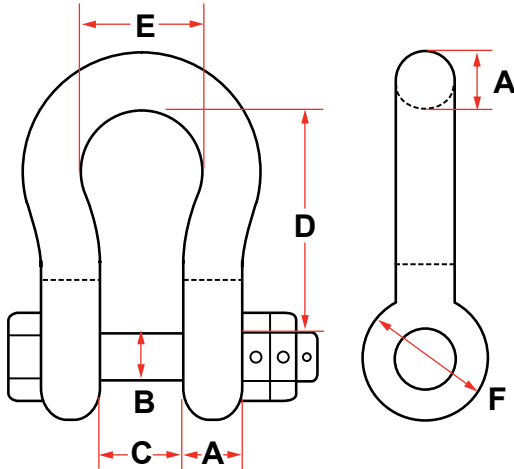
DECK UNDERNEATH
TO BE REINFORCED IF
NECESSARY. STARBOARD
CONNECTION IS DRAWN,
PORT CONNECTION IS
REFLECTED IMAGE.



SEA-LINK HEAVY LIFT INDUSTRIAL AND MARINE TOWING SHACKLES

MADE WITH PRIDE IN THE USA

ANCHOR PATTERN – REGULAR JAW



SIZE (A)	WORKING LOAD LIMIT IN TONS	PIN DIAM. IN INCHES (B)	JAW WIDTH INCHES (C)	DIMENSIONS (INCHES)			APPROX. WT. EACH IN POUNDS
				D	E	F	
1-1/2	31	1-3/4	2-3/8	5-3/4	3-7/8	3-1/2	20
1-3/4	41	2	2-7/8	7	5	4-1/4	23
2	52	2-1/4	3-1/4	7-3/4	5-3/4	4-5/8	41
2-1/4	67	2-1/2	4-1/4	9-1/4	6-1/2	5	67
2-1/2	82	2-3/4	4-1/2	10-1/2	7-1/2	5-3/4	88
2-3/4	104	3	4-1/2	11	7-3/4	6-1/8	112
3	123	3-1/4	5	13	8-1/2	6-1/2	133
3-1/2	150	3-3/4	5-3/4	15	9	8-1/4	250
4	200	4-1/4	6-1/2	16	11	9-1/8	358

JAW TOLERANCE

* Anchor Size 1-1/2 - 3 Inches = (+/-).125
* Anchor Size 3-1/2 - 4 Inches = (+/-).250

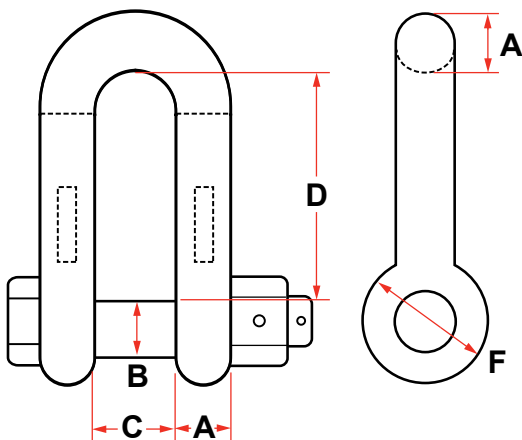
REACH TOLERANCE

* Anchor Size 1-1/2 - 2-1/2 Inches = (+/-).500
* Anchor Size 2-3/4 - 4 Inches = (+/-).750

SAFETY

* 5:1 Safety Factor

CHAIN PATTERN – REGULAR JAW



SIZE (A)	WORKING LOAD LIMIT IN TONS	PIN DIAM. IN INCHES (B)	JAW WIDTH INCHES (C)	DIMENSIONS (INCHES)		APPROX. WT. EACH IN POUNDS
				D	F	
1-1/2	31	1-3/4	2-3/8	5-1/2	3-1/2	19
1-3/4	41	2	2-7/8	6-3/4	4-1/4	22
2	52	2-1/4	3-1/4	7-3/4	4-5/8	36
2-1/4	67	2-1/2	4-1/4	9-1/4	5	62
2-1/2	82	2-3/4	4-1/2	10-1/2	5-3/4	86
2-3/4	104	3	4-1/2	11	6-1/8	110
3	123	3-1/4	5	13	6-1/2	125
3-1/2	150	3-3/4	5-3/4	15	8-1/4	218
4	200	4-1/4	6-1/2	16	9-1/8	310

JAW TOLERANCE

* Anchor Size 1-1/2 - 3 Inches = (+/-).125
* Anchor Size 3-1/2 - 4 Inches = (+/-).250

REACH TOLERANCE

* Anchor Size 1-1/2 - 2-1/2 Inches = (+/-).500
* Anchor Size 2-3/4 - 4 Inches = (+/-).750

SAFETY

* 5:1 Safety Factor

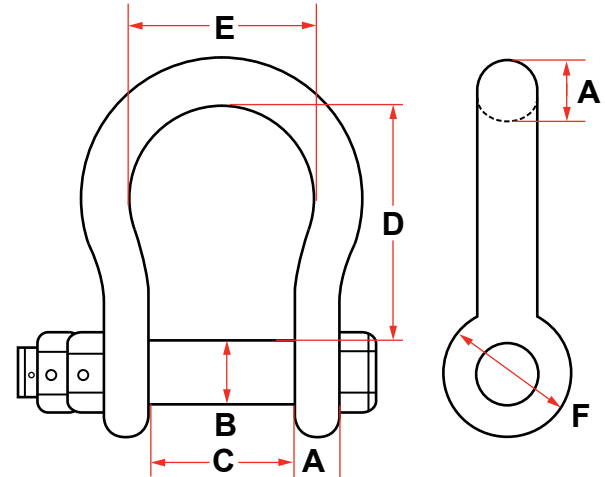
AVAILABLE WITH SINGLE NUT OR DOUBLE NUT PINS.

SEA-LINK HEAVY LIFT INDUSTRIAL AND MARINE TOWING SHACKLES (WIDE JAW)

MADE WITH PRIDE IN THE USA

ANCHOR PATTERN – WIDE JAW

SIZE (A)	WORKING LOAD LIMIT IN TONS	PIN DIAM. IN INCHES (B)	JAW WIDTH INCHES (C)	DIMENSIONS (INCHES)			APPROX. WT. EACH IN POUNDS
				D	E	F	
1-1/2	22	1-3/4	4-3/16	8-1/8	6-1/4	3-1/2	28
1-3/4	30	2	5	9-3/8	6-7/8	4-1/4	40
2	40	2-1/4	5-3/4	10-1/2	8-1/8	4-5/8	55
2-1/4	48	2-1/2	6-1/4	11-1/2	8-7/8	5	75
2-1/2	55	2-3/4	6-1/2	12-3/8	9-3/8	5-3/4	106
2-3/4	68	3	7	12-3/4	9-3/4	6-1/8	138
3	80	3-1/4	7-1/4	13	10	6-1/2	157
3-1/2	120	3-3/4	9-1/4	15-1/2	12-1/4	8-1/4	274



JAW TOLERANCE

* Anchor Size 1-1/2 - 3 Inches = (+/-).125
* Anchor Size 3-1/2 Inches = (+/-).250

REACH TOLERANCE

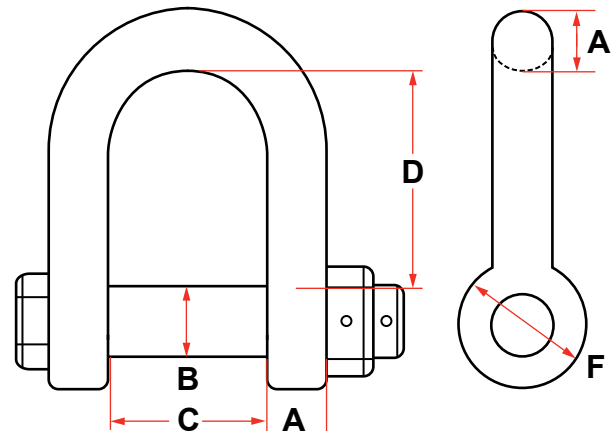
* Anchor Size 1-1/2 - 2-1/2 Inches = (+/-).500
* Anchor Size 2-3/4 - 3-1/2 Inches = (+/-).750

SAFETY

* 5:1 Safety Factor

CHAIN PATTERN – WIDE JAW

SIZE (A)	WORKING LOAD LIMIT IN TONS	PIN DIAM. IN INCHES (B)	JAW WIDTH INCHES (C)	DIMENSIONS (INCHES)		APPROX. WT. EACH IN POUNDS
				D	F	
1-1/2	22	1-3/4	4-3/16	8-1/8	3-1/2	28
1-3/4	30	2	5	9-3/8	4-1/4	45
2	40	2-1/4	5-3/4	10-1/2	4-5/8	60
2-1/4	48	2-1/2	6-1/4	11-1/2	5	71
2-1/2	55	2-3/4	6-1/2	12-3/8	5-3/4	112
2-3/4	68	3	7	12-3/4	6-1/8	127
3	80	3-1/4	7-1/4	13	6-1/2	165
3-1/2	120	3-3/4	9-1/4	15-1/2	8-1/4	278



JAW TOLERANCE

* Anchor Size 1-1/2 - 3 Inches = (+/-).125
* Anchor Size 3-1/2 Inches = (+/-).250

REACH TOLERANCE

* Anchor Size 1-1/2 - 2-1/2 Inches = (+/-).500
* Anchor Size 2-3/4 - 3-1/2 Inches = (+/-).750

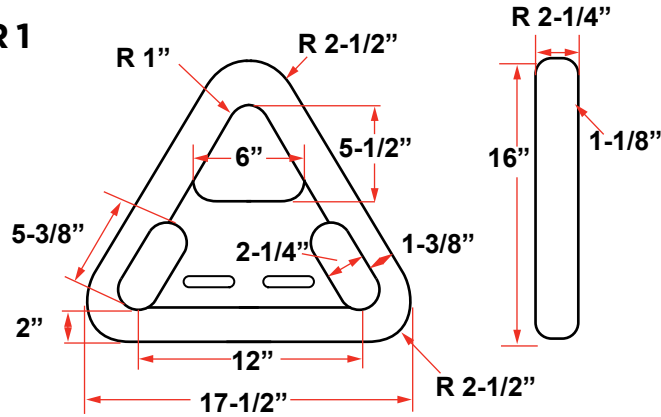
SAFETY

* 5:1 Safety Factor

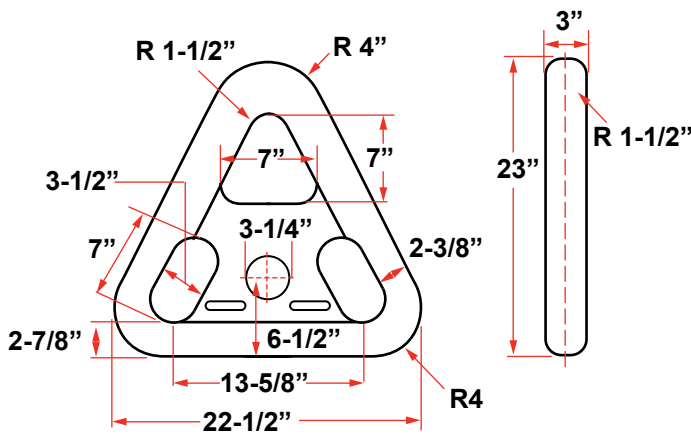
AVAILABLE WITH SINGLE NUT OR DOUBLE NUT PINS.

SEA-LINK TOW PLATES WITH ABS CERTIFICATION

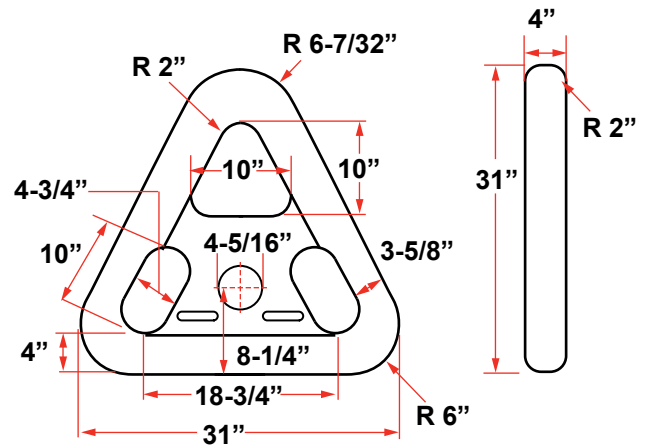
NUMBER 1



NUMBER 2



NUMBER 3



All dimensions in inches and pounds unless otherwise indicated.

TOW PLATE SPECIFICATIONS			
	NO. 1	NO. 2	NO. 3
SHACKLE SIZES	1-1/2" - 2"	2-1/4" - 3"	3-1/2" - 4"
DIMENSIONS	17-1/2" x 16"	22-1/2" x 23"	31" x 31"
WEIGHT	75	202	485
PROOF TEST	300,000	485,000	624,000

Approximate dimensions shown above. Contact us for specific dimensions, as they may differ between manufacturers.

TOWING BRIDAL ASSEMBLY

1. SEA-LINK TOWING SHACKLE
2. SEA-LINK TOWING PLATE
3. STUD LINK ANCHOR CHAIN / G3

