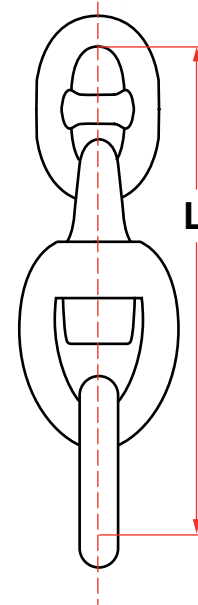
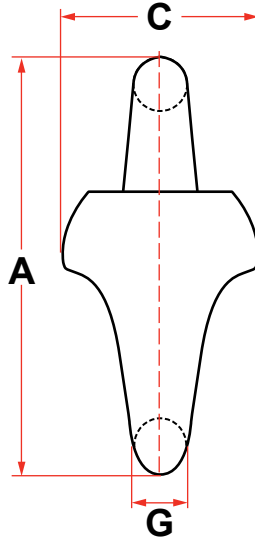
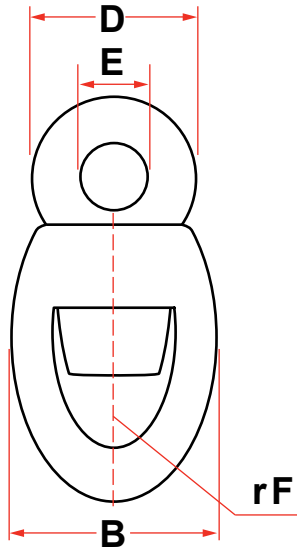


## SWIVEL ASSEMBLY



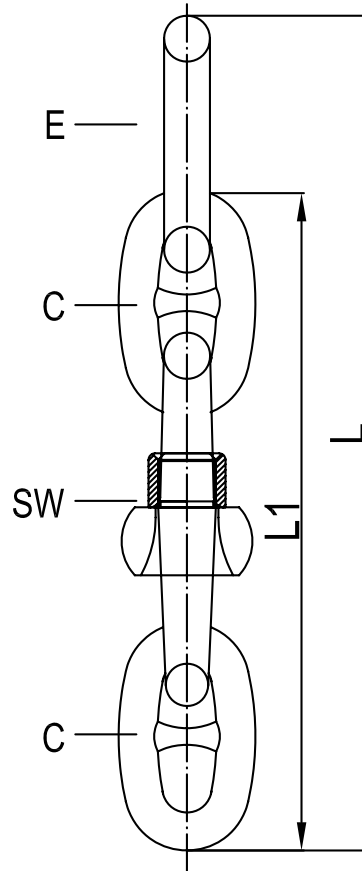
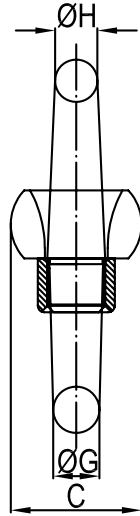
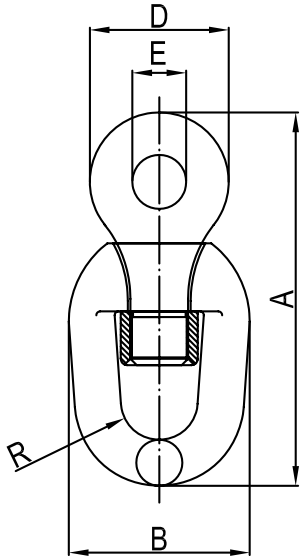
### GRADE 3

CHAIN SIZE		A (MM)	B (MM)	C (MM)	D (MM)	E (MM)	F (MM)	G (MM)	L (MM)	WEIGHT (*)		PROOF TEST KGF	BREAK TEST KGF
MM	INCHES									KG	LBS		
13-16	1/2 - 5/8	137	62	62	20	52	12	16	240	1.35	3	15100	21600
17-19	11/16 - 3/4	173	76	76	27	66	19	19	290	2.25	5	21600	30900
21-22	13/16 - 7/8	198	90	90	30	75	22	22	335	3.20	7	29300	41700
24-29	15/16 - 1-1/8	258	102	102	44	94	25	25	445	6.5	14	49200	70400
30-35	1-3/16 - 1-3/8	290	160	124	116	46	25	36	499	21.0	46.3	70700	101300
36-42	1-7/16 - 1-5/8	373	202	146	145	63	32	46	622	39.5	87.1	102000	143400
43-48	1-11/16 - 1-7/8	430	230	165	183	73	36	50	709	66.0	145.5	130000	185100
49-58	1-15/16 - 2-1/4	516	278	200	212	84	39	65	851	104.0	229.3	185400	265000
59-67	2-5/16 - 2-5/8	575	307	230	235	93	46	68	972	142.0	313.1	242900	347000
68-73	2-11/16 - 2-7/8	650	345	260	256	102	50	79	1078	208.0	458.6	285000	407000
75-79	2-15/16 - 3-1/8	757	370	325	281	109	52	94	1209	276.0	608.5	332100	474500
81-86	3-3/16 - 3-3/8	760	420	372	310	122	57	95	1260	336.0	740.8	384400	549100
87-92	3-7/16 - 3-5/8	800	430	390	320	130	60	98	1343	376.0	828.9	434800	621200
94-98	3-11/16 - 3-7/8	882	460	433	354	142	66	118	1442	557.0	1228.0	490000	700000
100-102	3-15/16 - 4	918	480	448	368	148	69	122	1502	612.0	1349.0	522100	746000
105-111	4-1/8 - 4-3/8	1000	530	478	400	160	74	133	1635	797.0	1757.0	607000	867200
114	4-1/2	1026	542	490	417	165	76	137	1675	871.0	1920.0	637300	910900

\*Weight of assembly (swivel and 2 common links).

To convert to lbs., multiply by 2.2046

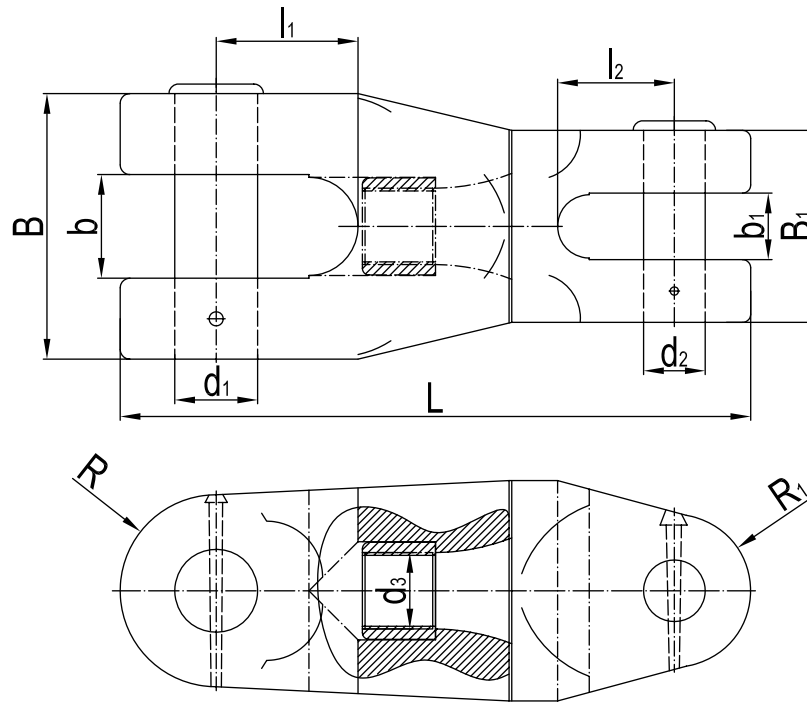
## SWIVEL ASSEMBLY WITH OPEN LINK



E+C+SW+C		FIT TO CHAIN		A	B	C	D	E	R	G	H	L	L1	WEIGHT (E+C+SW+C)		PROOF TEST	BREAK TEST
MM	INCHES	MM	INCHES	MM	MM	MM	MM	MM	MM	MM	MM	MM	MM	KG	LBS	LBF	LBF
13*	1/2	13	1/2	123	60	43	47	18	13	15	14	-	-	-	-	15,300	21,400
16*	5/8	16	5/8	154	75	54	58	22	16	19	17	-	-	-	-	23,700	33,200
17.5*	11/16	17.5	11/16	169	82	59	63	24	17.5	21	19	-	-	-	-	28,660	40,350
19	3/4	19	3/4	185	90	65	68	27	19	23	21	436	350	4.5	10	47,600	68,000
22	7/8	22	7/8	216	104	76	79	31	22	27	24	509	409	6.4	14	64,400	91,800
28	1 1/8	24-28	15/16 - 1 1/8	272	132	95	101	39	28	34	31	614	487	14.6	32.2	105,000	150,000
34	1 3/8	30-35	1 3/16 - 1 3/8	330	160	116	122	48	34	41	37	746	592	25.2	55.6	142,000	203,000
42	1 5/8	36-42	1 7/16 - 1 5/8	407	197	143	151	59	42	50	46	922	731	48.1	106	214,000	306,000
48	1 7/8	43-48	1 11/16 - 1 7/8	466	226	163	173	67	48	58	53	1054	835	69.7	153.7	281,000	402,000
58	2 1/4	50-58	1 15/16 - 2 1/4	563	273	197	209	81	58	70	64	1273	1009	123.8	273.2	396,000	570,000
67	2 5/8	59-67	2 5/16 - 2 5/8	660	320	231	245	95	68	82	75	1493	1183	196.7	434	554,000	792,000
73	2 7/8	68-73	2 11/16 - 2 7/8	708	343	218	262	102	73	88	80	1602	1270	245	540.7	628,000	897,000
79	3 1/8	75-79	2 15/16 - 3 1/8	786	381	275	291	113	81	97	89	1749	1389	336.7	743	732,000	1,046,000
86	3 3/8	81-86	3 3/16 - 3 3/8	844	409	296	314	122	87	104	96	1895	1504	417	920	843,000	1,204,000
92	3 5/8	87-92	3 7/16 - 3 5/8	892	432	313	331	129	92	110	101	2019	1601	494.4	1090	958,000	1,369,000
98	3 7/8	94-98	3 11/16 - 3 7/8	970	470	340	360	140	100	120	110	2166	1720	615	1356	1,080,000	1,543,000
102	4	100-102	3 15/16 - 4	989	479	347	367	143	102	122	112	2239	1775	669	1476	1,143,000	1,632,000

\* Grade 2. Number of links may vary. Call for details.

## JAW & JAW SWIVEL SHACKLES TYPE A



TYPE	DIMENSIONS (MM)												WEIGHT (KG)
	L	B	B1	b	b1	R	R1	d3	d1	d2	l1	l2	
24 (22, 24)	307	138	96	80	34	48	38	M36	60	31	70	62	18
28 (26, 28)	372	157	116	84	39	58	47	M42	68	36	87	73	38
32 (30, 32)	423	180	124	96	45	62	53	M52	78	42	101	73	91
38 (34, 36, 38)	482	213	148	104	53	74	58	M56	82	49	115	94	107
42 (40, 42)	546	235	164	115	59	82	66	M64	90	55	131	106	115
48 (44, 46, 48)	615	269	196	125	67	98	75	M76	98	62	145	118	139
52 (50, 52)	712	314	218	130	73	109	88	M90	107	68	168	135	264
56 (54, 56)	712	314	218	138	78	109	88	M90	110	73	168	135	270
62 (58, 60, 62)	787	348	252	149	88	126	100	M100	118	82	185	152	294
68 (64, 66, 68)	868	380	265	166	95	136	106	M110	128	88	200	150	403
76 (70, 73, 76)	965	426	304	168	106	152	120	M120	135	100	225	184	464
81 (78, 81)	1,042	454	328	178	113	164	130	M130	145	105	240	183	749
87 (84, 87)	1,118	487	352	190	122	176	140	M140	152	113	260	214	931
95 (90, 92, 95)	1,206	532	380	200	133	190	152	M150	160	124	280	231	1,191
102 (100, 102)	1,308	571	412	220	143	206	164	M165	168	133	300	253	1,464