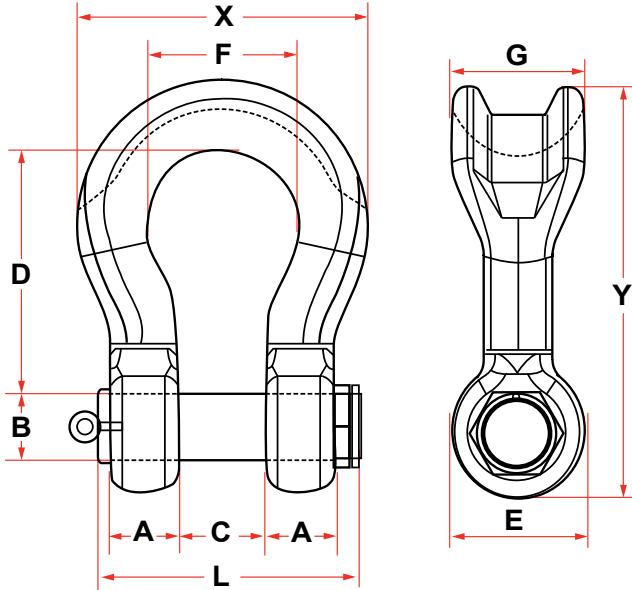


WIDE BODY SLING SAVER SHACKLE



Material	: Forged alloy steel quenched and tempered
Safety Factor	: ≤ 2000 ton 5 times > 2000 ≤ 3000 ton 4.5 times > 3000 ton 4 times
Finish	: Painted
Temperature range	: ≤ 40 ton -20°C up to +200°C > 40 ton -40°C up to +200°C, Polar Rated
Standard certification	: Certificate of Conformity 3.1 material certificate EN 10204

Non-standard sizes or custom products available on request

* Shackles from WLL 30 ≤ 125 ton are not supplied with an eyebolt, shackles from WLL 900 ton completed with eyebolts on both sides

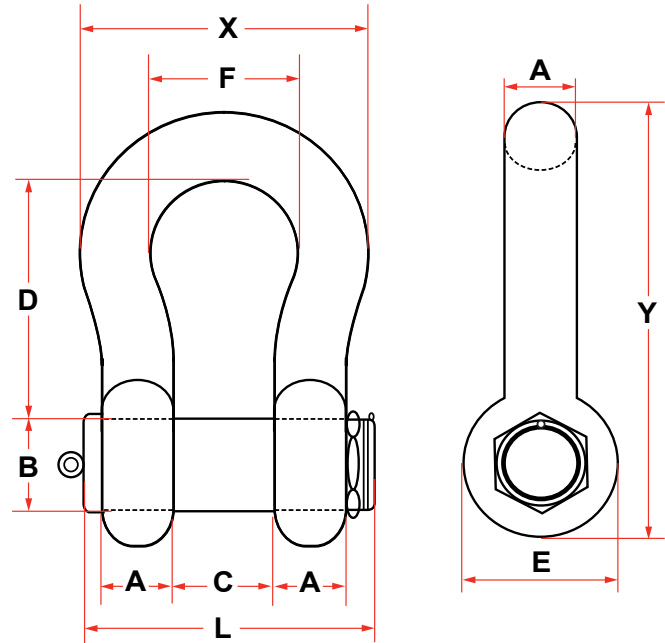
WLL TON	A (MM)	B (MM)	C (MM)	D (MM)	E (MM)	F (MM)	G (MM)	L (MM)	R (MM)	X (MM)	Y (MM)	WEIGHT
												KGS
30	35	44	65	180	90	128	80	202	45	204	292	14
40	45	51	84	200	109	140	97	252	53	232	331	21
55	65	56	95	250	130	160	110	300	55	288	400	33
75	75	70	110	300	150	185	120	345	60	334	485	53
125	85	80	140	370	165	220	150	395	89	390	583	84
150	90	95	150	400	200	250	170	420	90	429	638	115
200	105	105	160	480	225	275	205	470	110	484	755	183
250	120	120	180	550	240	300	230	520	125	540	850	255
300	140	134	195	600	280	350	265	580	140	628	947	368
400	160	160	230	620	330	370	320	655	170	689	1035	571
500	170	180	265	680	350	440	340	710	180	779	1125	719
600	180	200	290	720	405	490	370	795	190	847	1213	960
700	210	215	320	780	465	540	400	880	210	957	1330	1350
800	220	230	345	800	465	555	420	925	220	990	1358	1400
900	235	250	370	850	480	585	440	1010	235	1060	1450	1850
1000	235	270	400	850	530	615	460	1050	240	1091	1490	2050
1250	275	300	455	960	570	645	560	1210	285	1205	1695	3000
1550	275	320	485	980	610	680	580	1240	290	1240	1745	3300
1750	310	360	500	1120	660	700	600	1325	300	1346	1960	4700
2000	320	385	520	1140	680	720	620	1365	310	1368	2012	4800
2500	330	400	520	1140	740	730	635	1380	320	1383	2065	5400
3000	340	420	530	1140	760	740	650	1410	330	1413	2080	5800
3500	350	440	540	1140	790	750	670	1480	340	1480	2130	6800
4000	360	460	550	1140	810	760	690	1510	350	1510	2140	7200

Tolerance: Inside length ± 7.5%, all other forged parts ± 5%, machined parts ± 1 mm

BOW SAFETY PIN SHACKLE

Material : Forged alloy steel quenched and tempered
 Safety Factor : 5 times
 Standards : Generally according to US Federal Spec RR-C-271
 Finish : Painted
 Temperature range : -40°C up to +200°C, Polar Rated
 Standard certification : Certificate of Conformity
 3.1 material certificate EN 10204

Non-standard sizes or custom products available on request



* Shackles from WLL 1250 ton completed with eyebolts on both sides

WLL TONS	A (MM)	B (MM)	C (MM)	D (MM)	E (MM)	F (MM)	L (MM)	X (MM)	Y (MM)	WEIGHT KGS
120	89	95	150	380	200	238	420	416	617	110
150	102	108	170	400	230	275	475	479	671	160
200	120	125	180	500	260	290	520	530	813	235
250	125	140	205	540	260	305	560	555	865	285
300	130	150	205	600	305	305	570	565	958	340
400	165	175	230	680	359	325	665	655	1108	560
500	180	185	255	700	370	350	720	710	1158	685
600	195	205	285	700	405	375	815	765	1200	880
700	205	217	310	700	435	400	860	810	1231	980
800	210	217	310	700	435	400	870	820	1236	1100
900	220	230	330	700	465	420	910	860	1268	1280
1000	230	240	350	750	480	420	950	880	1290	1460
1250	278	270	370	780	590	450	1105	1010	1490	2320
1500	280	290	370	800	610	450	1105	1010	1530	2450
1750	300	330	430	950	660	540	1230	1140	1745	3280
2000	320	360	460	1050	680	560	1300	1200	1890	3920

Tolerance: Inside length $\pm 7.5\%$, all other forged parts $\pm 5\%$, machined parts ± 1 mm