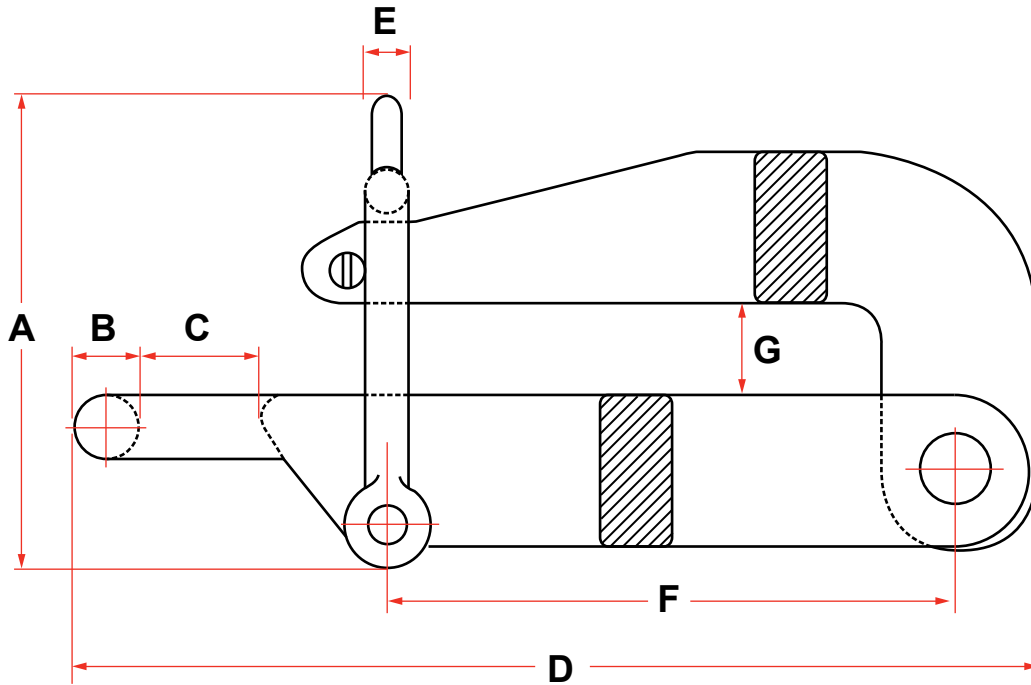
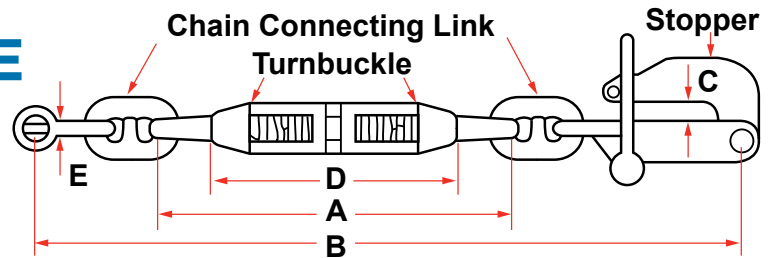


## PELICAN HOOK CHAIN STOPPER WITH ABS CERTIFICATION



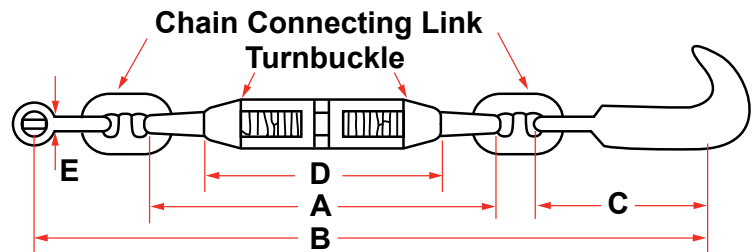
CHAIN SIZE		A (MM)	B (MM)	C (MM)	D (MM)	E (MM)	F (MM)	G (MM)	LOADS		WEIGHT
MM	INCHES								PROOF TEST KN	BREAK TEST KN	LBS
19	3/4	176	19	32	266	16	137	25	291.3	392.3	13
22	7/8	193	22	35	337	16	178	31	392.7	529.8	21
25-32	1 - 1-1/4	219	29	41	446	19	260	39	730.6	985.6	41
32-38	1-1/4 - 1-1/2	270	38	48	490	22	267	44	941.6	1,271.1	50
35-41	1-3/8 - 1-5/8	270	38	48	490	22	267	51	941.6	1,271.1	59
41-51	1-5/8 - 2	313	38	54	565	25	305	62	1,122	1,514.6	95
54-60	2-1/8 - 2-3/8	375	41	57	680	32	394	65	1,122	1,514.6	172
64-70	2-1/2 - 2-3/4	410	48	70	780	35	457	79	1,567.1	2,119.1	216
76-83	3 - 3-1/4	454	51	76	860	38	502	95	1,816.5	2,715.9	280
86-89	3-3/8 - 3-1/2	495	64	86	927	41	514	98	2,190.5	3,312.5	357
89-95	3-1/2 - 3-3/4	568	73	108	997	44	533	114	3,137	4,746	440
121	4-3/4	568	73	108	1216	44	753	137	3,137	4,746	683

## PELICAN HOOK TYPE CHAIN STOPPER ASSEMBLY



CHAIN SIZE		INCHES						DET. LINK SIZE	PROOF LOAD LBS	BREAK LOAD LBS
INCHES	MM	A	B MIN.	B MAX.	C	D	E			
3/4	19	16	33-1/4	40-1/2	1	11	7/8	3/4	67,500	91,100
7/8	22	17-1/4	38-7/16	45-9/16	1-7/32	11	1	7/8	88,200	119,000
1 - 1-1/8	25 - 29	19-1/2	46-7/8	55-1/2	1-17/32	13	1-1/8	1-1/8	145,000	195,000
1-1/4	32	19-5/8	48	56-5/8	1-17/32	13	1-1/4	1-1/4	178,200	240,600
1-1/4 HS - 1-1/2	32HS - 38	23-3/4	55-3/16	65-11/16	1-3/4	16	1-1/2	1-3/8	211,500	285,500
1-3/8HS - 1-5/8	34HS - 42	23-3/4	55-3/16	65-11/16	2	16	1-1/2	1-3/8	211,500	285,500
1-5/8HS - 2	42HS - 51	24-1/8	59-3/16	65-11/16	2-7/16	16	1-1/2	1-1/2	252,000	340,200
2-1/8 - 2-3/8	54 - 60	26-1/4	65-3/8	76-1/8	2-9/16	16	1-5/8	1-1/2	252,000	340,200
2-1/2 - 2-5/8	64 - 67	29-3/4	74-3/8	87-1/2	3-1/8	20	1-7/8	1-5/8	292,500	395,000
2-3/4 - 2-3/4HD	70 - 70HD	29-3/4	86-5/8	89-3/4	3-1/8	20	1-7/8	1-3/4	352,000	476,000
3HD - 3-1/4	76HD - 83	36	90-3/4	106-1/2	3-3/4	24	2-3/8	2-1/4	403,000	610,000
3-3/8 - 3-1/2	86 - 89	38-5/8	97-7/16	113-3/16	3-7/8	24	2-5/8	2-1/2	492,000	744,000
3-1/2HD - 3-3/4	89HD - 95	44-3/8	110	128-1/8	4-1/2	27-1/2	2-7/8	3	706,000	1,068,000

## DEVIL'S CLAW TYPE CHAIN STOPPER ASSEMBLY



CHAIN SIZE		INCHES						DET. LINK SIZE	PROOF LOAD LBS	BREAK LOAD LBS
INCHES	MM	A	B MIN.	B MAX.	C	D	E			
3/4 - 3/4HS	19 - 19HS	16	35-1/2	42-3/4	10-1/2	11	7/8	3/4	67,500	91,100
7/8 - 7/8HS	22 - 22HS	17-1/4	38-1/4	45-3/8	10-1/2	11	1	7/8	88,200	119,000
1 - 1-1/8	25 - 29	19-1/2	43-1/16	51-11/16	10-1/2	13	1-1/8	1-1/8	145,000	195,000
1-1/4	32	19-5/8	44-3/16	52-13/16	10-1/2	13	1-1/4	1-1/4	178,200	240,600
1-1/4 HS - 1-1/2	32HS - 38	23-3/4	50-1/4	60-3/4	10-1/2	16	1-1/2	1-3/8	211,500	285,500
1-3/8HS - 1-5/8	34HS - 42	23-3/4	50-1/4	60-3/4	10-1/2	16	1-1/2	1-3/8	211,500	285,500
1-5/8HS - 2	42HS - 51	24-1/8	53-1/8	63-5/8	12	16	1-1/2	1-1/2	252,000	340,200
2-1/8 - 2-3/8	54 - 60	26-1/4	56-1/4	66-3/4	12-1/2	16	1-5/8	1-1/2	252,000	340,200
2-1/2 - 2-5/8	64 - 67	29-3/4	65	78-1/8	16	20	1-7/8	1-5/8	292,500	395,000
2-3/4 - 2-3/4HD	70 - 70HD	29-3/4	67-1/4	80-1/4	16	20	1-7/8	1-3/4	352,000	476,000
3HD - 3-1/4	76HD - 83	36	76-1/4	92-3/8	17-1/2	24	2-3/8	2-1/4	403,000	610,000
3-3/8 - 3-1/2	86 - 89	38-5/8	86-1/2	102-1/4	19	24	2-5/8	2-1/2	492,000	744,000
3-1/2HD - 3-3/4	89HD - 95	44-3/8	98-5/8	116-3/4	20-1/2	27-1/2	2-7/8	3	706,000	1,068,000