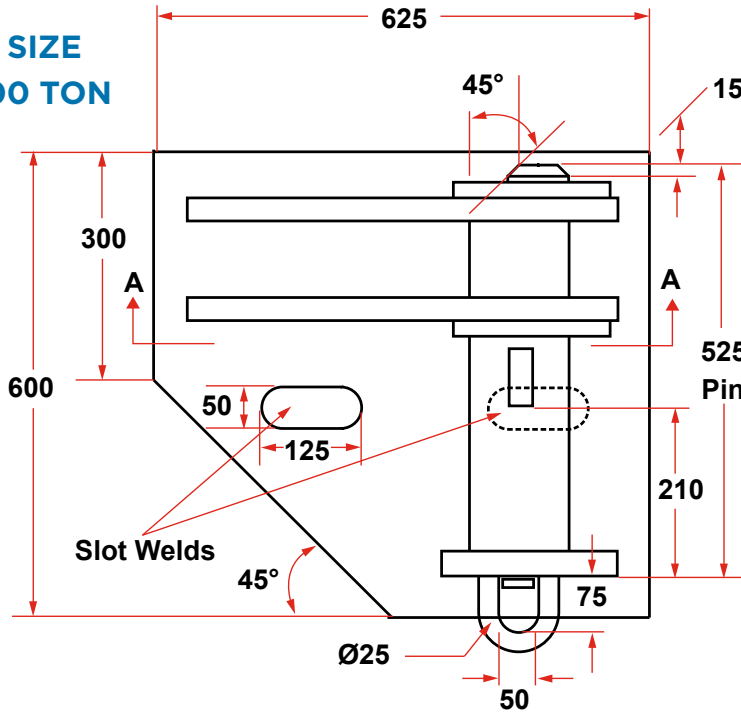
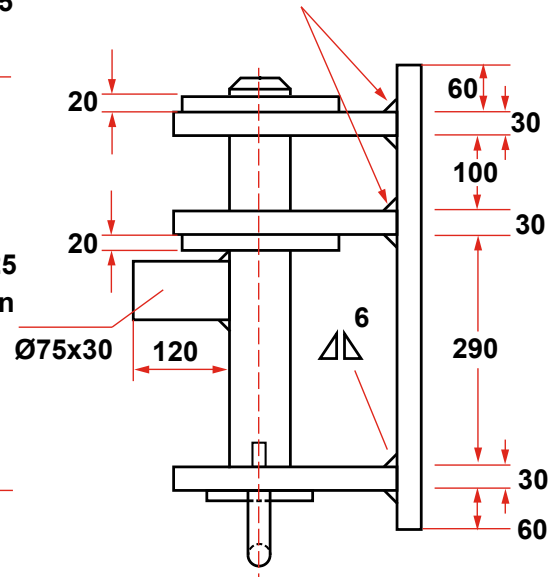


SMIT BRACKET
WITH ABS CERTIFICATION

SMALL SIZE
SWL 100 TON

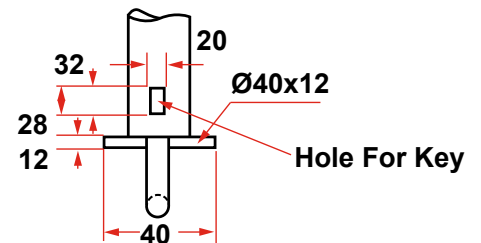
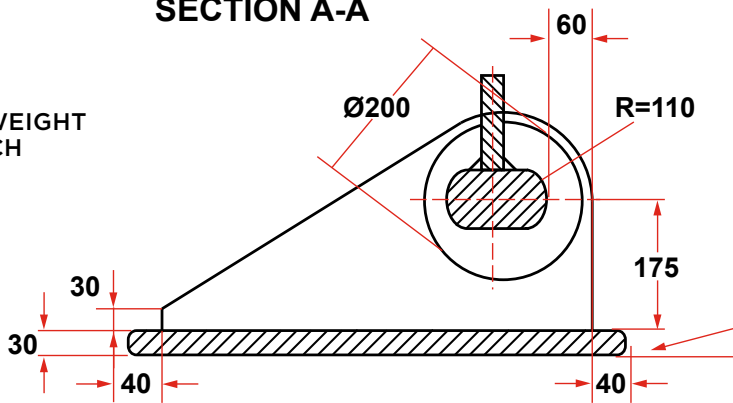


CONNECTION FOR 2-3/4" - 3"
TOWING CHAIN

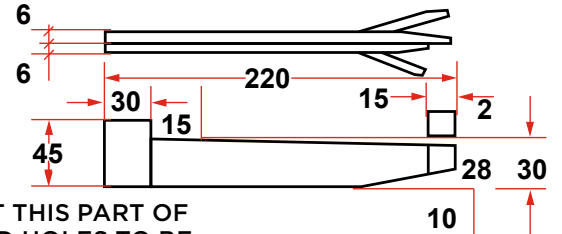


SECTION A-A

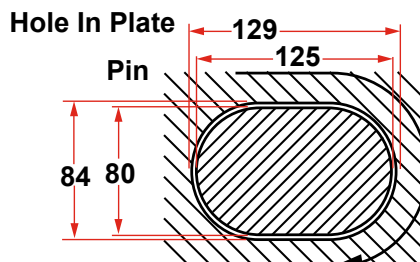
APPROX. WEIGHT
195 KG EACH



KEY



DECK UNDERNEATH
TO BE REINFORCED IF
NECESSARY. STARBOARD
CONNECTION IS DRAWN,
PORT CONNECTION IS
REFLECTED IMAGE.

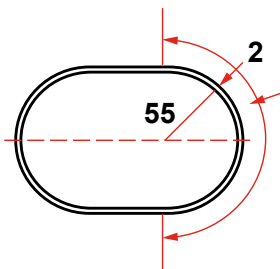
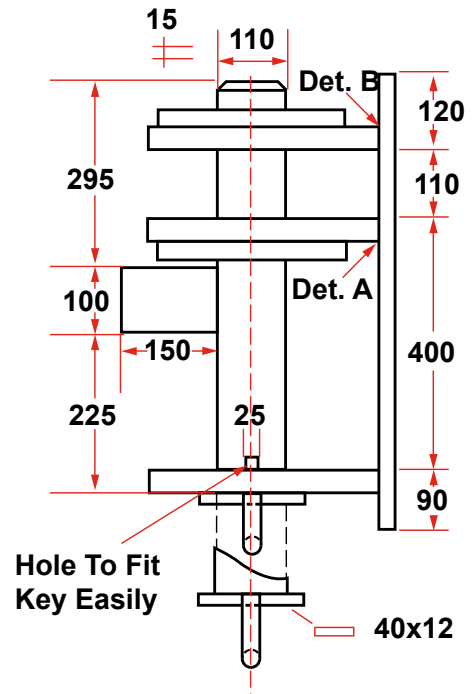
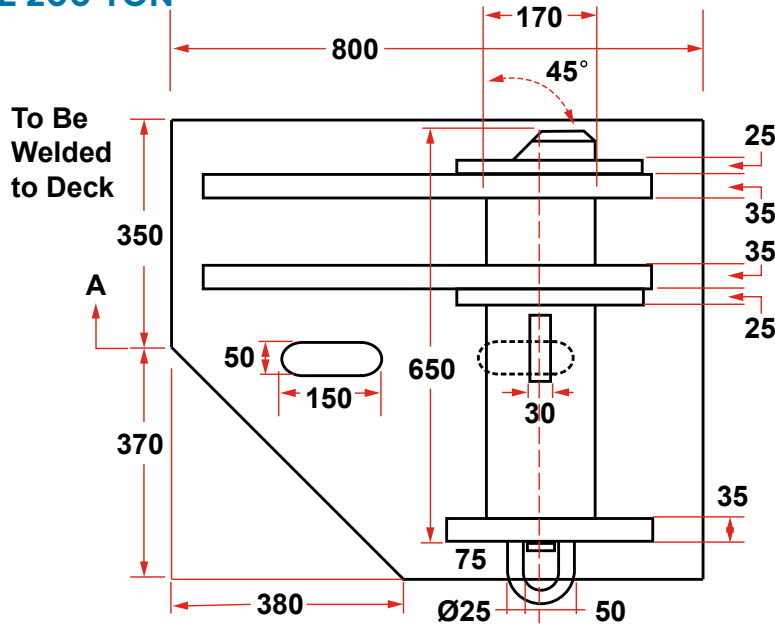


AT LEAST THIS PART OF
BOLT AND HOLES TO BE
MACHINED

SMIT BRACKET
WITH ABS CERTIFICATION

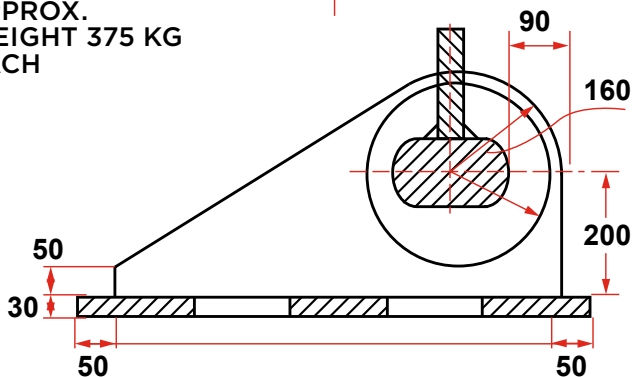
LARGE SIZE
SWL 200 TON

CONNECTION FOR 3-1/4"
TOWING CHAIN



AT LEAST THIS PART OF
BOLT AND HOLES TO BE
MACHINED

APPROX.
WEIGHT 375 KG
EACH



DECK UNDERNEATH
TO BE REINFORCED IF
NECESSARY. STARBOARD
CONNECTION IS DRAWN,
PORT CONNECTION IS
REFLECTED IMAGE.

