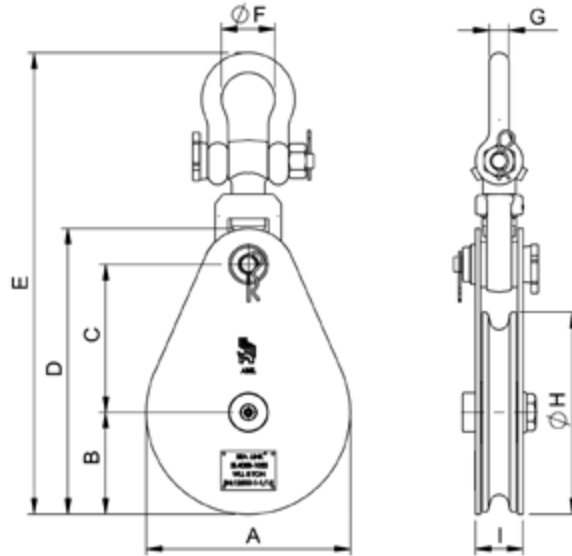


STEEL SHELL SNATCH BLOCK - 2, 4 & 8 TON



SWIVEL SHACKLE (SS)



TAILBOARD (TB)



SWIVEL HOOK (SH)



TOP DEAD END (TDE)

MODEL NO.	WLL TN	WIRE ROPE ØR	DIMENSIONS (MM)									WEIGHT (LBS)		
			A	B	C	D	E	ØF	G	ØH	I	SS	SH	TB
												SWIVEL SHACKLE	SWIVEL HOOK	TAILBOARD
SL402B-3	2	5/16 - 3/8	3.0	1.5	2.7	5	9.5	1.3	0.5	3	1.4	5	5	
SL404B-4.5	4	3/8 - 1/2	4.6	2.3	4.2	7.6	13.5	1.9	0.7	4.5	1.9	13	13	
SL408B-6	8	5/8 - 3/4	6	3	5.1	9.9	18.8	2.7	1	6	2.3	30	33	18
SL408B-8	8	5/8 - 3/4	8	4	6.3	12	20.9	2.7	1	8	2.4	39	42	28
SL408B-10	8	5/8 - 3/4	10.2	5.1	7.4	14.4	23.3	2.7	1	10	2.4	46	49	34
SL408B-12	8	5/8 - 3/4	12.0	6	9.2	17	25.9	2.7	1	12	2.4	58	61	47

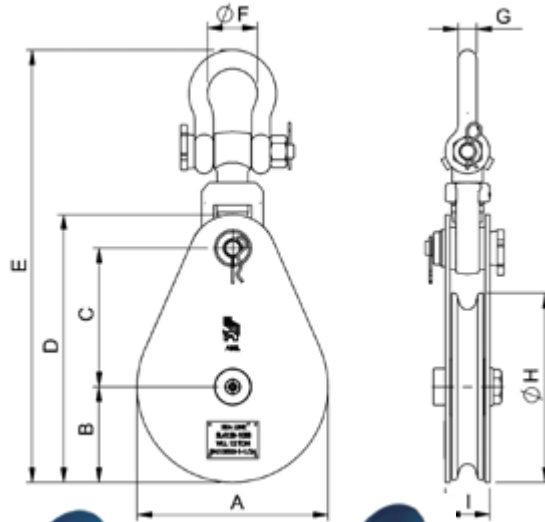
- Blocks built to 4:1 Design Factor.
- Available with these top fittings - Swivel Hook (SH), Swivel Shackle (SS), Tailboard (TB) and Top Dead End (TDE).
- Available with Bronze Bushing (B).
- All accessories are forged.
- Products are manufactured under the Standard ASME B30.26
- Dimensions shown represent current models and are subject to change.
- Blocks shown are standard models.
- Custom models available upon request.

See our warnings & application instructions

STEEL SHELL SNATCH BLOCK - 12 TON



SWIVEL SHACKLE (SS)



TAILBOARD (TB)



SWIVEL HOOK (SH)



TOP DEAD END (TDE)

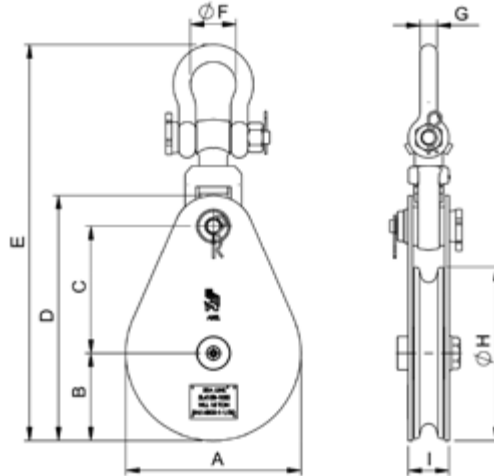
MODEL NO.	WLL TN	WIRE ROPE ØR	DIMENSIONS (MM)									WEIGHT (LBS)		
			A	B	C	D	E	ØF	G	ØH	I	SS	SH	TB
												SWIVEL SHACKLE	SWIVEL HOOK	TAILBOARD
SL412B-6	12	3/4 - 7/8	6	3	5.1	9.9	18.8	2.7	1	6	2.3	30	33	19
SL412B-8	12	3/4 - 7/8	8	4	6.3	12	20.9	2.7	1	8	2.4	39	42	28
SL412B-10	12	3/4 - 7/8	10.2	5.1	7.4	14.4	23.3	2.7	1	10	2.4	46	49	34
SL412B-12	12	3/4 - 7/8	12	6	9.2	17	25.9	2.7	1	12	2.4	58	61	47

MODEL NO.	WLL TN	WIRE ROPE ØR	DIMENSIONS (MM)									WEIGHT (LBS)		
			A	B	C	D	E	ØF	G	ØH	I	SS	SH	TB
												SWIVEL SHACKLE	SWIVEL HOOK	TAILBOARD
SL412R-8	12	3/4 - 7/8	8	4	6.3	12	20.9	2.7	1	8	2.4	39	42	28
SL412R-10	12	3/4 - 7/8	10.2	5.1	7.4	14.4	23.3	2.7	1	10	2.4	46	49	34
SL412R-12	12	3/4 - 7/8	12	6	9.2	17	25.9	2.7	1	12	2.4	58	61	47

- Blocks built to 4:1 Design Factor.
- Available with these top fittings - Swivel Hook (SH), Swivel Shackle (SS), Tailboard (TB) and Top Dead End (TDE).
- Available with Bronze Bushing (B) and Roller Bearing (R).
- All accessories are forged.
- Products are manufactured under the Standard ASME B30.26
- Dimensions shown represent current models and are subject to change.
- Blocks shown are standard models.
- Custom models available upon request.

See our warnings & application instructions

STEEL SHELL SNATCH BLOCK - 15 TON



SWIVEL SHACKLE (SS)



TAILBOARD (TB)

TOP DEAD END (TDE)

MODEL NO.	WLL TN	WIRE ROPE ØR	DIMENSIONS (MM)									WEIGHT (LBS)	
			A	B	C	D	E	ØF	G	ØH	I	SS	TB
												SWIVEL SHACKLE	TAILBOARD
SL415B-8	15	3/4 - 7/8	8	4	7	12.5	23.2	3	1.1	8	3	59	38
SL415B-10	15	3/4 - 7/8	10.2	5.1	7.9	14.9	25.6	3	1.1	10	3	69	47
SL415B-12	15	3/4 - 7/8	12	6	9.2	17.5	28.2	3	1.1	12	3	80	57

MODEL NO.	WLL TN	WIRE ROPE ØR	DIMENSIONS (MM)									WEIGHT (LBS)	
			A	B	C	D	E	ØF	G	ØH	I	SS	TB
												SWIVEL SHACKLE	TAILBOARD
SL415R-8	15	3/4 - 7/8	8	4	7	12.5	23.2	3	1.1	8	3	59	38
SL415R-10	15	3/4 - 7/8	10.2	5.1	7.9	14.9	25.6	3	1.1	10	3	69	47
SL415R-12	15	3/4 - 7/8	12	6	9.2	17.5	28.2	3	1.1	12	3	80	57

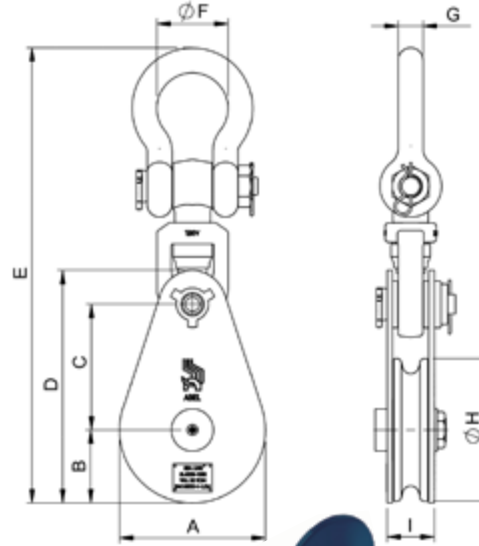
- Blocks built to 4:1 Design Factor.
- Available with these top fittings - Swivel Shackle (SS), Tailboard (TB) and Top Dead End (TDE).
- Available with Bronze Bushing (B) and Roller Bearing (R).
- All accessories are forged.
- Products are manufactured under the Standard ASME B30.26
- Dimensions shown represent current models and are subject to change.
- Blocks shown are standard models.
- Custom models available upon request.

See our warnings & application instructions

STEEL SHELL SNATCH BLOCK - 20 TON



SWIVEL SHACKLE (SS)



TAILBOARD (TB)



TOP DEAD END (TDE)

MODEL NO.	WLL TN	WIRE ROPE ØR	DIMENSIONS (MM)									WEIGHT (LBS)	
			A	B	C	D	E	ØF	G	ØH	I	SS	TB
			SWIVEL SHACKLE	TAILBOARD									
SL420B-8	20	1 - 1/8	8	4	8	14.4	28.1	3.6	1.4	8	3.3	90	51
SL420B-10	20	1 - 1/8	10.2	5.1	8.8	16.4	30.1	3.6	1.4	10	3.3	103	64
SL420B-12	20	1 - 1/8	12	6	10.0	18.4	32.2	3.6	1.4	12	3.3	118	79

MODEL NO.	WLL TN	WIRE ROPE ØR	DIMENSIONS (MM)									WEIGHT (LBS)	
			A	B	C	D	E	ØF	G	ØH	I	SS	TB
			SWIVEL SHACKLE	TAILBOARD									
SL420R-8	20	1 - 1/8	8	4	8	14.4	28.1	3.6	1.4	8	3.3	90	51
SL420R-10	20	1 - 1/8	10.2	5.1	8.8	16.4	30.1	3.6	1.4	10	3.3	103	64
SL420R-12	20	1 - 1/8	12	6	10.0	18.4	32.2	3.6	1.4	12	3.3	118	79

- Blocks built to 4:1 Design Factor.
 - Available with these top fittings - Swivel Shackle (SS), Tailboard (TB) and Top Dead End (TDE).
 - Available with Bronze Bushing (B) and Roller Bearing (R).
 - All accessories are forged.
 - Products are manufactured under the Standard ASME B30.26
 - Dimensions shown represent current models and are subject to change.
 - Blocks shown are standard models.
 - Custom models available upon request.
- See our warnings & application instructions