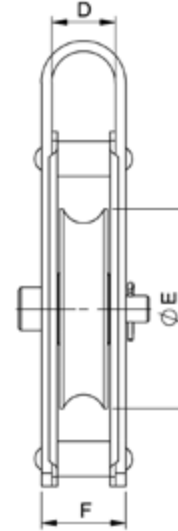
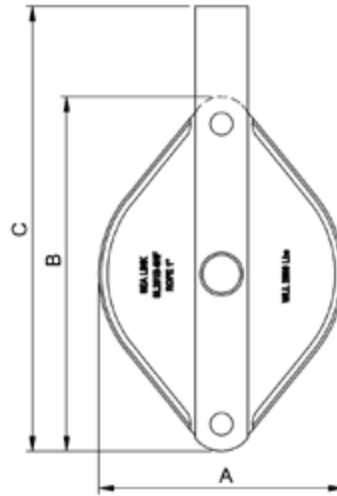


STANDARD STEEL SHELL MANILA ROPE SINGLE BLOCK



NO FITTING (NF)



SHACKLE (S)



SWIVEL HOOK (SH)



FIXED HOOK (H)

MODEL NO.	WLL LBS	ROPE ØR	DIMENSIONS (MM)						WEIGHT (LBS)			
									S	SH	H	NF
			SHACKLE	SWIVEL HOOK	FIXED HOOK	NO FITTING						
SL251B-3	500	3/8	2.2	3.7	4.8	0.9	1.75	1.1	1.5	1.5	1.5	1.2
SL251B-4	1000	3/8 - 1/2	2.9	4.8	5.9	1.0	2.25	1.3	2.4	2.4	2.4	1.7
SL251B-6	1800	5/8 - 3/4	4.3	7.0	8.7	1.4	3.5	1.8	5.3	5.3	5.3	3.8
SL251B-8	2800	7/8 - 1	5.8	8.5	10.6	1.5	4.75	2.	10	10	10	8
SL251B-10	4000	1 - 1 1/4	6.8	11.0	13.7	1.7	6.0	2.2	17	17	17	11
SL251B-12	5000	1 1/4 - 1 1/2	8.6	13.0	16.1	2.0	8.0	2.8	31	31	31	21

- Blocks built to 4:1 Design Factor.
- Blocks made with Bronze Bushed sheaves to SAE40 specifications.
- All accessories are forged.
- Dimensions shown represent current models and are subject to change.
- Blocks shown here are standard models.
- Custom models available upon request.

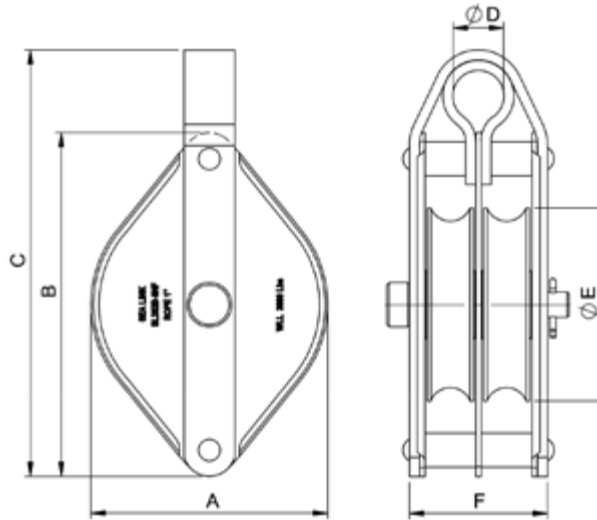
See our warnings & application instructions

SEALINK
Quality Rigging Products

STANDARD STEEL SHELL MANILA ROPE DOUBLE BLOCK



NO FITTING (NF)



SHACKLE (S)



SWIVEL HOOK (SH)



FIXED HOOK (H)

MODEL NO.	WLL LBS	ROPE ØR	DIMENSIONS (MM)						WEIGHT (LBS)			
									S	SH	H	NF
			SHACKLE	SWIVEL HOOK	FIXED HOOK	NO FITTING						
SL252B-3	800	3/8	2.2	3.7	4.9	0.7	1.75	1.9	2.2	2.2	2.2	1.8
SL252B-4	1400	3/8 - 1/2	2.9	4.8	6.1	1.1	2.25	2.1	3.5	3.5	3.5	2.8
SL252B-6	2500	5/8 - 3/4	4.3	7.0	9.1	1.2	3.5	3.0	7.5	7.5	7.5	6
SL252B-8	3800	7/8 - 1	5.8	8.5	10.5	1.2	4.75	3.4	14	14	14	12
SL252B-10	6000	1 - 1 1/4	6.8	11.0	13.3	1.4	6.0	3.9	24	24	24	19
SL252B-12	8000	1 1/4 - 1 1/2	8.6	13.0	16.2	1.5	8.0	4.8	48	48	48	39

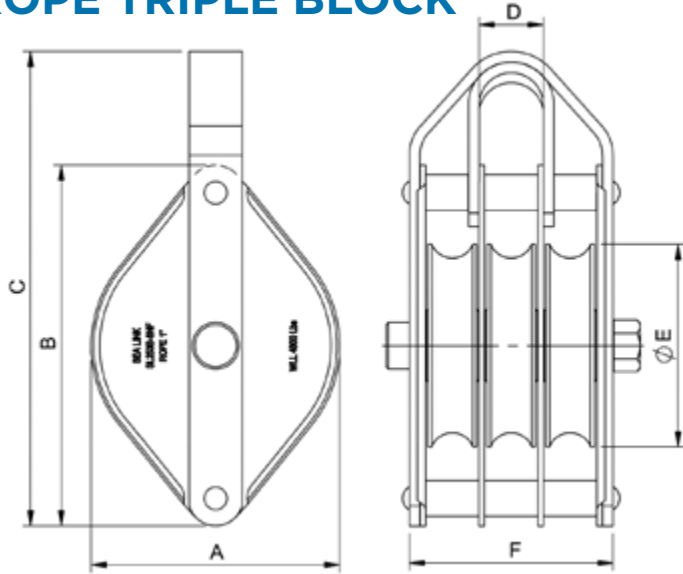
- Blocks built to 4:1 Design Factor.
- Blocks made with Bronze Bushed sheaves to SAE40 specifications.
- All accessories are forged.
- Dimensions shown represent current models and are subject to change.
- Blocks shown here are standard models.
- Custom models available upon request.

See our warnings & application instructions

STANDARD STEEL SHELL MANILA ROPE TRIPLE BLOCK



NO FITTING (NF)



SHACKLE (S)



SWIVEL HOOK (SH)



FIXED HOOK (H)

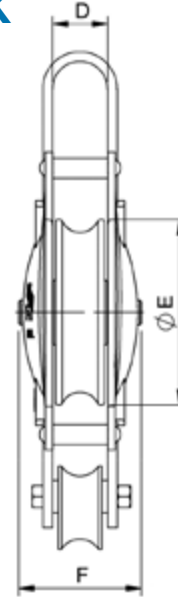
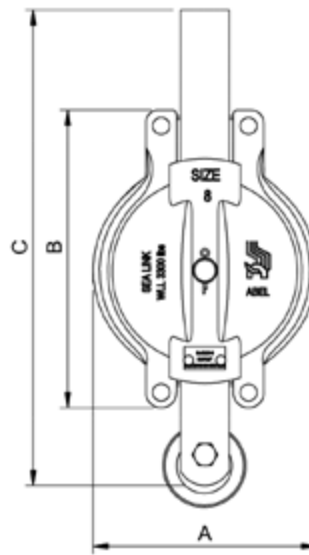
MODEL NO.	WLL LBS	ROPE ØR	DIMENSIONS (MM)						WEIGHT (LBS)			
									S	SH	H	NF
			SHACKLE	SWIVEL HOOK	FIXED HOOK	NO FITTING						
SL253B-3	1200	3/8	2.2	3.7	4.9	0.9	1.75	2.6	2.7	2.7	2.7	2.4
SL253B-4	1800	3/8 - 1/2	2.9	4.8	6.3	1.0	2.25	2.9	4.6	4.6	4.6	3.9
SL253B-6	3200	5/8 - 3/4	4.3	7.0	9.3	1.4	3.5	4.2	9.7	9.7	9.7	8.1
SL253B-8	4800	7/8 - 1	5.8	8.5	11.1	1.5	4.75	4.8	19	19	19	17
SL253B-10	8000	1 - 1 1/4	6.8	11.0	13.4	1.7	6.0	5.5	31	31	31	26
SL253B-12	10000	1 1/4 - 1 1/2	8.6	13.0	16.3	2.0	8.0	6.9	66	66	66	56

- Blocks built to 4:1 Design Factor.
 - Blocks made with Bronze Bushed sheaves to SAE40 specifications.
 - All accessories are forged.
 - Dimensions shown represent current models and are subject to change.
 - Blocks shown here are standard models.
 - Custom models available upon request.
- See our warnings & application instructions**

STEEL SHELL MALLEABLE STYLE MANILA ROPE SINGLE BLOCK



NO FITTING (NF)



SHACKLE (S)



SWIVEL HOOK (SH)



FIXED HOOK (H)



SPECIAL

MODEL NO.	WLL LBS	ROPE ØR	DIMENSIONS (MM)						WEIGHT (LBS)			
			A	B	C	D	ØE	F	S	SH	H	NF
									SHACKLE	SWIVEL HOOK	FIXED HOOK	NO FITTING
SL321B-3	700	3/8	2.4	3.3	5.7	0.7	1.75	1.7	1.7	1.7	1.3	
SL321B-4	1100	3/8 - 1/2	2.9	4.3	7.0	0.75	2.25	1.8	3	3	3	2.2
SL321B-6	2000	5/8 - 3/4	4.3	6.0	9.8	1.3	3.5	2.8	6	6	6	4.4
SL321B-8	3300	7/8 - 1	5.7	7.6	12.2	1.4	4.75	3.3	12	12	12	10
SL321B-10	5000	1 - 1 1/4	6.8	9.0	14.5	1.7	6.0	3.7	20	20	20	17
SL321B-12	8900	1 1/4 - 1 1/2	9.3	12.0	18.6	1.9	8.0	4.1	42	42	42	32

- Blocks built to 4:1 Design Factor.
- Blocks made with Bronze Bushed sheaves to SAE40 specifications.
- Available with self-lubricating graphite bronze sheave bushing per ASTM B438.
- All accessories are forged.
- Dimensions shown represent current models and are subject to change.
- Blocks shown are standard models.
- Custom models available upon request.

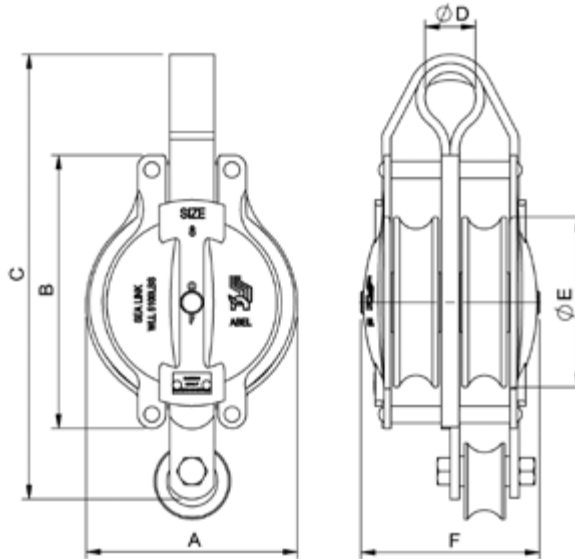
See our warnings & application instructions

SEALINK
Quality Rigging Products

STEEL SHELL MALLEABLE STYLE MANILA ROPE DOUBLE BLOCK



NO FITTING (NF)



SHACKLE (S)



SWIVEL HOOK (SH)



FIXED HOOK (H)



SPECIAL

MODEL NO.	WLL LBS	ROPE ØR	DIMENSIONS (MM)						WEIGHT (LBS)			
									S	SH	H	NF
			A	B	C	D	ØE	F	SHACKLE	SWIVEL HOOK	FIXED HOOK	NO FITTING
SL322B-3	1000	3/8	2.4	3.3	5.9	0.6	1.75	2.6	2.8	2.8	2.8	2.5
SL322B-4	1600	3/8 - 1/2	2.9	4.3	7.2	0.6	2.25	2.8	4.6	4.6	4.6	3.8
SL322B-6	3300	5/8 - 3/4	4.3	6.0	10.0	1.1	3.5	4.3	10	10	10	8
SL322B-8	5100	7/8 - 1	5.7	7.6	12.4	1.4	4.75	4.9	18	18	18	16
SL322B-10	7700	1 - 1 1/4	6.8	9.0	14.8	1.5	6.0	6.0	32	32	32	29
SL322B-12	15600	1 1/4 - 1 1/2	9.3	12.0	18.9	1.9	8.0	7.2	56	56	56	46

- Blocks built to 4:1 Design Factor.
- Blocks made with Bronze Bushed sheaves to SAE40 specifications.
- Available with self-lubricating graphite bronze sheave bushing per ASTM B438.
- All accessories are forged.
- Dimensions shown represent current models and are subject to change.
- Blocks shown are standard models.
- Custom models available upon request.

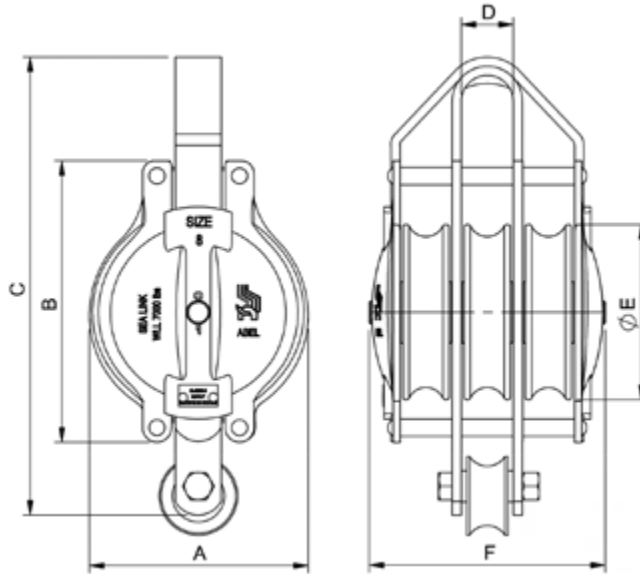
See our warnings & application instructions

SEALINK
Quality Rigging Products

STEEL SHELL MALLEABLE STYLE MANILA ROPE TRIPLE BLOCK



NO FITTING (NF)



SHACKLE (S)



SWIVEL HOOK (SH)



FIXED HOOK (H)



SPECIAL

MODEL NO.	WLL LBS	ROPE ØR	DIMENSIONS (MM)						WEIGHT (LBS)			
									S	SH	H	NF
			SHACKLE	SWIVEL HOOK	FIXED HOOK	NO FITTING						
SL323B-3	1400	3/8	2.4	3.3	5.9	0.7	1.75	3.5	4.3	4.3	4.3	4.0
SL323B-4	2200	3/8 - 1/2	2.9	4.3	7.2	0.75	2.25	3.7	5.6	5.6	5.6	4.8
SL323B-6	4000	5/8 - 3/4	4.3	6.0	10.0	1.3	3.5	5.9	13	13	13	12
SL323B-8	7000	7/8 - 1	5.7	7.6	12.4	1.4	4.75	6.3	24	24	24	22
SL323B-10	10000	1 - 1 1/4	6.8	9.0	14.8	1.7	6.0	7.6	39	39	39	35
SL323B-12	17000	1 1/4 - 1 1/2	9.3	12.0	18.9	1.9	8.0	9.3	70	70	70	61

- Blocks built to 4:1 Design Factor.
- Blocks made with Bronze Bushed sheaves to SAE40 specifications.
- Available with self-lubricating graphite bronze sheave bushing per ASTM B438.
- All accessories are forged.
- Dimensions shown represent current models and are subject to change.
- Blocks shown are standard models.
- Custom models available upon request.

See our warnings & application instructions

SEALINK
Quality Rigging Products