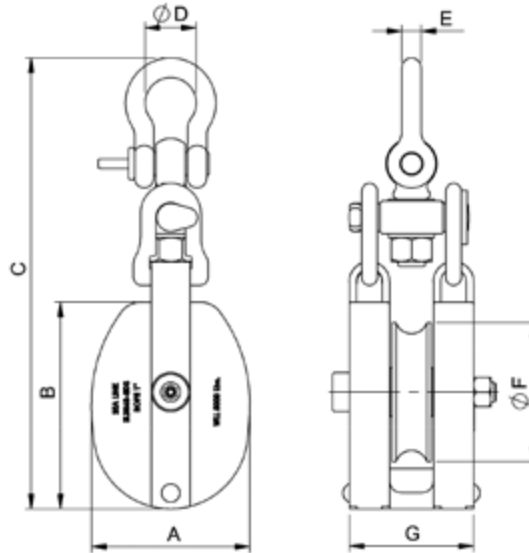


WOOD SHELL SNATCH BLOCK FOR MANILA ROPE



SWIVEL EYE W/SHACKLE (DS)



OBLONG SWIVEL EYE (OS)



SWIVEL HOOK (SH)

MODEL NO.	WLL LBS	ROPE ØR	DIMENSIONS (MM)							WEIGHT (LBS)		
			A	B	C	D	ØE	F	G	DS	OS	SH
										SWIVEL EYE W/SHACKLE	OBLONG SWIVEL EYE	SWIVEL HOOK
SL386B-4	1200	5/8 - 3/4	3.0	3.9	8.9	1.0	0.37	2.5	2.8	3.4	3.4	3.4
SL386B-6	3000	3/4 - 7/8	3.6	4.6	10.9	1.3	0.5	3.0	3.1	7	7	7
SL386B-8	5000	7/8 - 1	5.1	6.7	14.6	1.7	0.62	4.5	4.0	12	12	12
SL386B-10	8000	1 - 1 1/4	6.6	8.4	17.7	2.0	0.74	5.8	4.9	22	22	22
SL386B-12	10000	1 1/4 - 1 1/2	8.0	9.9	20.7	2.3	0.87	6.8	5.6	35	35	35
SL386B-14	12000	1 1/2 - 1 3/4	8.9	11.3	23.1	2.7	1	8.0	6.5	50	50	50
SL386B-16	16000	1 3/4 - 2	9.9	12.6	26.3	2.9	1.12	9.0	6.7	73	73	73
SL386B-22	22000	3	13.0	17.4	32.1	3.2	1.25	11.8	9.3	139	139	139

- Blocks built to 4:1 Design Factor.
 - Blocks made with Bronze Bushed sheaves to SAE40 specifications.
 - Available with self-lubricating graphite bronze sheave bushing per ASTM B438.
 - All accessories are forged.
 - Blocks made with Santa Maria Hardwood, which has properties that are favorable for use in wood shell blocks.
 - Dimensions shown represent current models and are subject to change.
 - Blocks shown are standard models.
 - Custom models available upon request.
- See our warnings & application instructions**