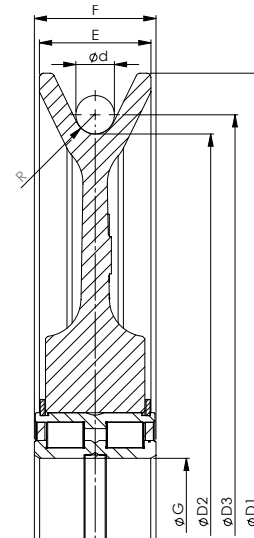


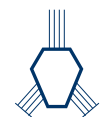
DUCTILE CAST IRON SHEAVES

WITH CYLINDRICAL ROLLER BEARINGS



MODEL NO.	FOR WIRE ØD		DIMENSIONS (INCH)							BEARING	WEIGHT (KG)	WEIGHT (LBS)
	MM	INCH	R	D1	D2	D3	E	F	ØG			
SE.250.5008B.5,5	10	3/8	0.22	11.42	9.84	10.24	1.26	1.50	1.57	SLO4 5008PP	5.9	12.98
SE.250.5008B.6	11	7/16	0.24	11.42	9.84	10.28	1.26	1.50	1.57	SLO4 5008PP	5.8	12.76
SE.280.5012.7	13	1/2	0.28	12.60	11.02	11.54	1.65	1.81	2.36	SLO4 5012PP	9.4	20.68
SE.280.5010B.7	13	1/2	0.28	12.60	11.02	11.54	1.42	1.57	1.97	SLO4 5010PP	8.1	17.82
SE.280.5010.7	13	1/2	0.28	12.60	11.02	11.54	1.42	1.57	1.97	SLO4 5010PP	8.1	17.82
SE.250.5008B.7,2	13	1/2	0.28	11.42	9.84	10.35	1.26	1.50	1.57	SLO4 5008PP	6.2	13.64
SE.260.5012.7,5	14	9/16	0.30	11.81	10.24	10.79	1.65	1.81	2.36	SLO4 5012PP	9.6	21.12
SE.280.5012.8	15	9/16	0.31	12.60	11.02	11.61	1.65	1.81	2.36	SLO4 5012PP	9.2	20.24
SE.400.5013.8,5	16	5/8	0.33	18.11	15.75	16.38	1.69	1.81	2.56	SLO4 5013PP	25.4	55.88
SE.360.5016.8,5	16	5/8	0.33	16.54	14.17	14.80	2.17	2.36	3.15	SLO4 5016PP	21.9	48.18
SE.355.5013.8,5	16	5/8	0.33	16.14	13.98	14.61	1.65	1.81	2.56	SLO4 5013PP	18.3	40.26
SE.320.5013.8,5	16	5/8	0.33	14.37	12.60	13.23	1.65	1.81	2.56	SLO4 5013PP	13.5	29.7
SE.295.5008B.8,5	16	5/8	0.33	12.99	11.61	12.24	1.26	1.50	1.57	SLO4 5008PP	8.8	19.36
SE.280.5012.8,5	16	5/8	0.33	12.60	11.02	11.65	1.65	1.81	2.36	SLO4 5012PP	9.1	20.02
SE.260.5012.8,5	16	5/8	0.33	11.81	10.24	10.87	1.65	1.81	2.36	SLO4 5012PP	9.1	20.02
SE.355.5013.9	17	11/16	0.35	16.14	13.98	14.65	1.65	1.81	2.56	SLO4 5013PP	18.1	39.82
SE.400.5014B.9,5	18	11/16	0.37	18.11	15.75	16.46	1.93	2.13	2.76	SLO4 5014PP	25.4	55.88
SE.400.5013.9,5	18	11/16	0.37	18.11	15.75	16.46	1.69	1.81	2.56	SLO4 5013PP	25	55
SE.360.5016.9,5	18	11/16	0.37	16.54	14.17	14.88	2.17	2.36	3.15	SLO4 5016PP	21.6	47.52
SE.355.5013.9,5	18	11/16	0.37	16.14	13.98	14.69	1.65	1.81	2.56	SLO4 5013PP	18	39.6
SE.354.5013.9,5	18	11/16	0.37	15.75	13.94	14.65	1.65	1.81	2.56	SLO4 5013PP	16.5	36.3
SE.345.5010B.9,5	18	11/16	0.37	15.16	13.58	14.29	1.42	1.57	1.97	SLO4 5010PP	12.5	27.5
SE.450.5024.10	19	3/4	0.39	20.28	17.72	18.46	2.95	3.15	4.72	SLO4 5024PP	47.9	105.38
SE.450.5018.10	19	3/4	0.39	20.28	17.72	18.46	2.44	2.64	3.54	SLO4 5018PP	41.4	91.08
SE.450.160.10	19	3/4	0.39	20.28	17.72	18.46	2.95	3.15	6.30	SLO4 160PP	45.4	99.88

- The dimensions in this table are indicative only. A drawing will always be submitted prior to production and will be the leading document when discussing dimensions.
- Sheaves shown here are standard models; inquiries for custom versions are welcome.



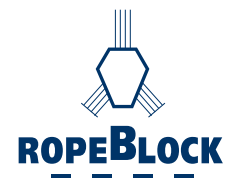
ROPEBLOCK

DUCTILE CAST IRON SHEAVES

WITH CYLINDRICAL ROLLER BEARINGS

MODEL NO.	FOR WIRE ØD		DIMENSIONS (INCH)							BEARING	WEIGHT (KG)	WEIGHT (LBS)
	MM	INCH	R	D1	D2	D3	E	F	ØG			
SE.400.5018.10	19	3/4	0.39	18.11	15.75	16.50	2.44	2.64	3.54	SLO4 5018PP	31	68.2
SE.400.5016.10	19	3/4	0.39	18.11	15.75	16.50	2.17	2.36	3.15	SLO4 5016PP	28.8	63.36
SE.400.5013.10	19	3/4	0.39	18.11	15.75	16.50	1.69	1.81	2.56	SLO4 5013PP	24.8	54.56
SE.360.5016.10	19	3/4	0.39	16.54	14.17	14.92	2.17	2.36	3.15	SLO4 5016PP	17.9	39.38
SE.355.5016.10	19	3/4	0.39	16.14	13.98	14.72	2.17	2.36	3.15	SLO4 5016PP	16.8	36.96
SE.355.5013.10	19	3/4	0.39	16.14	13.98	14.72	1.65	1.81	2.56	SLO4 5013PP	17.8	39.16
SE.345.5010B.10	19	3/4	0.39	15.16	13.58	14.33	1.42	1.57	1.97	SLO4 5010PP	12.5	27.5
SE.320.5013.10	19	3/4	0.39	14.37	12.60	13.35	1.65	1.81	2.56	SLO4 5013PP	13.2	29.04
SE.280.5012.10	19	3/4	0.39	12.60	11.02	11.77	1.65	1.81	2.36	SLO4 5012PP	10.3	22.66
SE.482.5018.11,5	21	13/16	0.45	22.05	18.98	19.80	2.44	2.64	3.54	SLO4 5018PP	45.5	100.1
SE.400.5018.11,5	21	13/16	0.45	18.11	15.75	16.57	2.44	2.64	3.54	SLO4 5018PP	30.4	66.88
SE.400.5016.11,5	21	13/16	0.45	18.11	15.75	16.57	2.17	2.36	3.15	SLO4 5016PP	28.3	62.26
SE.400.5014B.11,5	21	13/16	0.45	18.11	15.75	16.57	1.93	2.13	2.76	SLO4 5014PP	24.7	54.34
SE.450.5024.12	22	7/8	0.47	20.28	17.72	18.58	2.95	3.15	4.72	SLO4 5024PP	47	103.4
SE.450.5018.12	22	7/8	0.47	20.28	17.72	18.58	2.44	2.64	3.54	SLO4 5018PP	40.5	89.1
SE.400.5018.12	22	7/8	0.47	18.11	15.75	16.61	2.44	2.64	3.54	SLO4 5018PP	30.2	66.44
SE.400.5016.12	22	7/8	0.47	18.11	15.75	16.61	2.17	2.36	3.15	SLO4 5016PP	28.1	61.82
SE.355.5016.12	22	7/8	0.47	16.14	13.98	14.84	2.17	2.36	3.15	SLO4 5016PP	16.8	36.96
SE.528.5018.13	24	15/16	0.51	23.43	20.79	21.73	2.40	2.64	3.54	SLO4 5018PP	50.9	111.98
SE.528.200.13	24	15/16	0.51	23.43	20.79	21.73	2.91	3.15	7.87	SLO4 200PP	56.7	124.74
SE.528.160.13	24	15/16	0.51	23.43	20.79	21.73	2.91	3.15	6.30	SLO4 160PP	61.2	134.64
SE.670.200.13,5	25	1	0.53	29.92	26.38	27.36	2.91	3.15	7.87	SLO4 200PP	93.5	205.7
SE.670.160.13,5	25	1	0.53	29.92	26.38	27.36	2.91	3.15	6.30	SLO4 160PP	93.5	205.7
SE.670.5024.13,5	25	1	0.53	29.92	26.38	27.36	2.91	3.15	4.72	SLO4 5024PP	92.6	203.72
SE.528.5024.13,5	25	1	0.53	23.43	20.79	21.77	2.91	3.15	4.72	SLO4 5024PP	57.8	127.16
SE.528.5018.13,5	25	1	0.53	23.43	20.79	21.77	2.40	2.64	3.54	SLO4 5018PP	50.6	111.32
SE.528.160.13,5	25	1	0.53	23.43	20.79	21.77	2.91	3.15	6.30	SLO4 160PP	53.5	117.7
SE.500.5018B.13,5	25	1	0.53	22.44	19.69	20.71	2.40	2.64	3.54	SLO4 5018PP	46.8	102.96
SE.450.5024.13,5	25	1	0.53	20.28	17.72	18.70	2.95	3.15	4.72	SLO4 5024PP	46.3	101.86
SE.450.5018.13,5	25	1	0.53	20.28	17.72	18.70	2.44	2.64	3.54	SLO4 5018PP	39.8	87.56
SE.575.5024.14	26	1	0.55	25.59	22.64	23.66	2.91	3.15	4.72	SLO4 5024PP	72.6	159.72
SE.575.5022.14	26	1	0.55	25.59	22.64	23.66	2.91	3.15	4.33	SLO4 5022PP	73.5	161.7
SE.575.200.14	26	1	0.55	25.59	22.64	23.66	2.91	3.15	7.87	SLO4 200PP	76.7	168.74
SE.575.160.14	26	1	0.55	25.59	22.64	23.66	2.91	3.15	6.30	SLO4 160PP	72	158.4
SE.528.5024.14	26	1	0.55	23.43	20.79	21.81	2.91	3.15	4.72	SLO4 5024PP	63.5	139.7
SE.528.5018.14	26	1	0.55	23.43	20.79	21.81	2.40	2.64	3.54	SLO4 5018PP	45.4	99.88
SE.528.160.14	26	1	0.55	23.43	20.79	21.81	2.91	3.15	6.30	SLO4 160PP	53.2	117.04
SE.670.200.15	28	1 1/8	0.59	29.92	26.38	27.48	2.91	3.15	7.87	SLO4 200PP	97	213.4
SE.670.160.15	28	1 1/8	0.59	29.92	26.38	27.48	2.91	3.15	6.30	SLO4 160PP	92.2	202.84
SE.670.5024.15	28	1 1/8	0.59	29.92	26.38	27.48	2.91	3.15	4.72	SLO4 5024PP	91.3	200.86
SE.630.200.15	28	1 1/8	0.59	27.95	24.80	25.91	2.91	3.15	7.87	SLO4 200PP	87.7	192.94

- The dimensions in this table are indicative only. A drawing will always be submitted prior to production and will be the leading document when discussing dimensions.
- Sheaves shown here are standard models; inquiries for custom versions are welcome.



DUCTILE CAST IRON SHEAVES

WITH CYLINDRICAL ROLLER BEARINGS

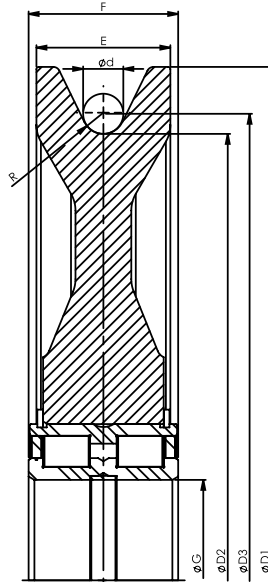
MODEL NO.	FOR WIRE ØD		DIMENSIONS (INCH)							BEARING	WEIGHT (KG)	WEIGHT (LBS)
	MM	INCH	R	D1	D2	D3	E	F	ØG			
SE.630.160.15	28	1 1/8	0.59	27.95	24.80	25.91	2.91	3.15	6.30	SL04 160PP	82.8	182.16
SE.630.5024.15	28	1 1/8	0.59	27.95	24.80	25.91	2.91	3.15	4.72	SL04 5024PP	84.4	185.68
SE.575.5024.15	28	1 1/8	0.59	25.59	22.64	23.74	2.91	3.15	4.72	SL04 5024PP	72	158.4
SE.575.200.15	28	1 1/8	0.59	25.59	22.64	23.74	2.91	3.15	7.87	SL04 200PP	76.1	167.42
SE.575.160.15	28	1 1/8	0.59	25.59	22.64	23.74	2.91	3.15	6.30	SL04 160PP	71.4	157.08
SE.528.5024.15	28	1 1/8	0.59	23.43	20.79	21.89	2.91	3.15	4.72	SL04 5024PP	57	125.4
SE.528.5018.15	28	1 1/8	0.59	23.43	20.79	21.89	2.40	2.64	3.54	SL04 5018PP	49.9	109.78
SE.528.200.15	28	1 1/8	0.59	23.43	20.79	21.89	2.91	3.15	7.87	SL04 200PP	64.9	142.78
SE.528.160.15	28	1 1/8	0.59	23.43	20.79	21.89	2.83	3.15	6.30	SL04 160PP	52.7	115.94
SE.450.5024.15	28	1 1/8	0.59	20.28	17.72	18.82	2.95	3.15	4.72	SL04 5024PP	45.6	100.32
SE.450.5018.15	28	1 1/8	0.59	20.28	17.72	18.82	2.44	2.64	3.54	SL04 5018PP	39.2	86.24
SE.630.200.16	30	1 3/16	0.63	27.95	24.80	25.98	2.91	3.15	7.87	SL04 200PP	87	191.4
SE.630.160.16	30	1 3/16	0.63	27.95	24.80	25.98	2.91	3.15	6.30	SL04 160PP	82.1	180.62
SE.630.5024.16	30	1 3/16	0.63	27.95	24.80	25.98	2.91	3.15	4.72	SL04 5024PP	83.7	184.14
SE.630.5022B.16	30	1 3/16	0.63	27.95	24.80	25.98	2.91	3.15	4.33	SL04 5022PP	83.5	183.7
SE.575.5022.16	30	1 3/16	0.63	25.59	22.64	23.82	2.91	3.15	4.33	SL04 5022PP	72.3	159.06
SE.800.5022.16	31	1 1/4	0.63	35.04	31.50	32.68	2.76	3.15	4.33	SL04 5022PP	136.5	300.3
SE.800.5026.17	32	1 1/4	0.67	35.04	31.50	32.76	2.95	3.74	5.12	SL04 5026PP	129.9	285.78
SE.710.5022.17	32	1 1/4	0.67	31.50	27.95	29.21	2.83	3.15	4.33	SL04 5022PP	99.8	219.56
SE.670.200.17	32	1 1/4	0.67	29.92	26.38	27.64	2.91	3.15	7.87	SL04 200PP	95.3	209.66
SE.670.160.17	32	1 1/4	0.67	29.92	26.38	27.64	2.91	3.15	6.30	SL04 160PP	90.5	199.1
SE.670.5024.17	32	1 1/4	0.67	29.92	26.38	27.64	2.91	3.15	4.72	SL04 5024PP	89.7	197.34
SE.630.200.17	32	1 1/4	0.67	27.95	24.80	26.06	2.91	3.15	7.87	SL04 200PP	86.3	189.86
SE.630.160.17	32	1 1/4	0.67	27.95	24.80	26.06	2.91	3.15	6.30	SL04 160PP	81.4	179.08
SE.630.5024.17	32	1 1/4	0.67	27.95	24.80	26.06	2.91	3.15	4.72	SL04 5024PP	83	182.6
SE.575.5024.17	32	1 1/4	0.67	25.59	22.64	23.90	2.91	3.15	4.72	SL04 5024PP	70.9	155.98
SE.710.5026.18	34	1 5/16	0.71	31.50	27.95	29.29	3.07	3.74	5.12	SL04 5026PP	98.3	216.26
SE.710.5022.18	34	1 5/16	0.71	31.50	27.95	29.29	2.83	3.15	4.33	SL04 5022PP	98.7	217.14
SE.800.5028.19	36	1 7/16	0.71	35.04	31.50	32.91	3.35	3.74	5.51	SL04 5028PP	152.4	335.28
SE.800.5030.20	38	1 1/2	0.71	35.04	31.50	32.99	3.54	3.94	5.91	SL04 5030PP	153	336.6
SE.800.5028.20	38	1 1/2	0.71	35.04	31.50	32.99	3.35	3.74	5.51	SL04 5028PP	151.4	333.08
SE.800.5026.20	38	1 1/2	0.71	35.04	31.50	32.99	2.95	3.74	5.12	SL04 5026PP	133.5	293.7
SE.800.5024.20	38	1 1/2	0.71	35.04	31.50	32.99	2.76	3.15	4.72	SL04 5024PP	127.1	279.62
SE.760.5030.20	38	1 1/2	0.71	33.86	29.92	31.42	3.35	3.94	5.91	SL04 5030PP	134.2	295.24
SE.710.5024.20	38	1 1/2	0.71	31.50	27.95	29.45	2.83	3.15	4.72	SL04 5024PP	94.5	207.9
SE.760.5026.20,5	39	1 9/16	0.81	33.86	29.92	31.46	2.95	3.74	5.12	SL04 5026PP	138.2	304.04
SE.800.5030.21	40	1 9/16	0.83	35.04	31.50	33.07	3.54	3.94	5.91	SL04 5030PP	152.4	335.28
SE.800.5028.21	40	1 9/16	0.83	35.04	31.50	33.07	3.35	3.74	5.51	SL04 5028PP	150.4	330.88
SE.800.5030.22,5	42	1 5/8	0.89	35.04	31.50	33.15	3.54	3.94	5.91	SL04 5030PP	160.1	352.22
SE.800.5028.22,5	42	1 5/8	0.89	35.04	31.50	33.15	3.35	3.74	5.51	SL04 5028PP	149	327.8
SE.800.5030.23,5	44	1 3/4	0.93	35.04	31.50	33.23	3.54	3.94	5.91	SL04 5030PP	149.6	329.12

- The dimensions in this table are indicative only. A drawing will always be submitted prior to production and will be the leading document when discussing dimensions.
- Sheaves shown here are standard models; inquiries for custom versions are welcome.



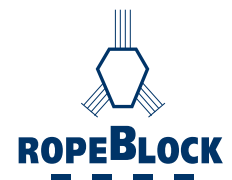
ROPEBLOCK

POLYAMID SHEAVES WITH CYLINDRICAL ROLLER BEARINGS

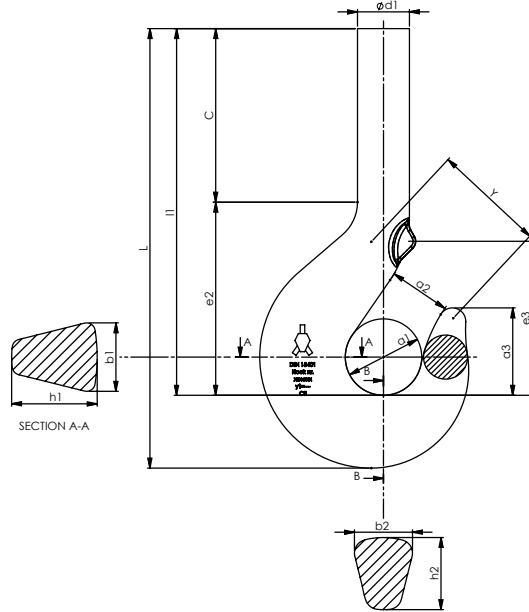


MODEL NO.	FOR WIRE ØD		DIMENSIONS (INCH)							BEARING	MATERIAL	WEIGHT (KG)	WEIGHT (LBS)
	MM	INCH	R	D1	D2	D3	E	F	ØG				
SE.260.5010.7.K	12	1/2	0.28	11.81	10.24	10.71	1.34	1.57	1.97	SL04 5010PP	PA 6G	2.86	6.29
SE.285.5012.7.K	12	1/2	0.28	12.80	11.22	11.69	1.34	1.81	2.36	SL04 5012PP	PA 6G	3.86	8.49
SE.352.5013.8.5.K	16	5/8	0.33	15.75	13.86	14.49	1.65	1.81	2.56	SL04 5013PP	PA 6G	5.63	12.39
SE.352.5016.8.5.K	16	5/8	0.33	15.75	13.86	14.49	1.97	2.36	3.15	SL04 5016PP	PA 6G	7.61	16.74
SE.400.5018.9.5.K	18	11/16	0.37	18.11	15.75	16.46	2.36	2.64	3.54	SL04 5018PP	PA 6G	10.81	23.78
SE.400.5024.9.5.K	18	11/16	0.37	18.11	15.75	16.46	2.83	3.15	4.72	SL04 5024PP	PA 6G	14.04	30.89
SE.400.160.9.5.K	18	11/16	0.37	18.11	15.75	16.46	2.83	3.15	6.30	SL04 160PP	PA 6G	13.54	29.79
SE.482.5018.11.4.K	21	13/16	0.45	22.05	18.98	19.80	2.44	2.64	3.54	SL04 5018PP	PA 6G	14.01	30.82
SE.482.5024.11.4.K	21	13/16	0.45	22.05	18.98	19.80	2.83	3.15	4.72	SL04 5024PP	PA 6G	17.54	38.59
SE.482.160.11.4.K	21	13/16	0.45	22.05	18.98	19.80	2.83	3.15	6.30	SL04 160PP	PA 6G	17.2	37.84
SE.528.5018.12.K	22	7/8	0.47	23.46	20.79	21.65	2.36	2.64	3.54	SL04 5018PP	PA 6G	15.01	33.02
SE.528.5024.13.K	24	15/16	0.51	23.46	20.79	21.73	2.83	3.15	4.72	SL04 5024PP	PA 6G	20.9	45.98
SE.528.160.13.K	24	15/16	0.51	23.46	20.79	21.73	2.83	3.15	4.72	SL04 160PP	PA 6G	22.1	48.62

- The dimensions in this table are indicative only. A drawing will always be submitted prior to production and will be the leading document when discussing dimensions.
- Sheaves shown here are standard models; inquiries for custom versions are welcome.

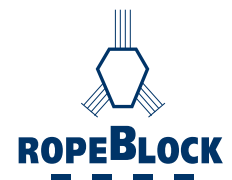


SINGLE HOOK

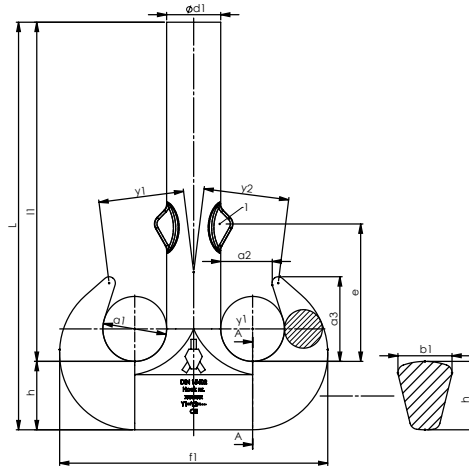


HOOK NO.	LIFTING CAPACITY US TONS V-CLASS HOOK	LIFTING CAPACITY METRIC TONS V-CLASS HOOK	LIFTING CAPACITY US TONS T-CLASS HOOK	LIFTING CAPACITY METRIC TONS T-CLASS HOOK	LIFTING CAPACITY US TONS P-CLASS HOOK	LIFTING CAPACITY METRIC TONS P-CLASS HOOK	DIMENSIONS (INCH)														WEIGHT (KG)	WEIGHT (LBS)
							A1	A2	A3	B1	B2	C	D1	E2	E3	H1	H2	L	L1	Y		
1,6	8.8	8	6.93	6.3	4.4	4	2.20	1.77	2.52	1.77	1.50	2.52	1.42	5.75	4.65	2.20	1.89	10.47	8.27	2.95	5	10
2,5	13.75	12.5	11	10	6.93	6.3	2.48	1.97	2.83	2.09	1.77	3.46	1.65	6.57	5.20	2.64	2.28	12.68	10.04	3.15	6	14
4	22	20	17.6	16	11	10	2.80	2.20	3.15	2.48	2.09	5.51	1.89	7.48	5.83	3.15	2.64	16.14	12.99	5.12	10	22
5	27.5	25	22	20	13.75	12.5	3.15	2.48	3.54	2.80	2.36	7.28	2.09	8.46	6.50	3.54	2.95	19.29	15.75	5.12	15	33
6	35.2	32	27.5	25	17.6	16	3.54	2.80	3.98	3.15	2.64	7.28	2.36	9.45	7.28	3.94	3.35	20.67	16.73	5.12	21	47
8	44	40	35.2	32	22	20	3.94	3.15	4.45	3.54	2.95	7.95	2.64	10.55	8.27	4.41	3.74	22.91	18.50	5.71	30	66
10	55	50	44	40	27.5	25	4.41	3.54	5.00	3.94	3.35	10.59	2.95	11.26	8.70	4.92	4.17	26.77	21.85	6.30	42	93
12	69.3	63	55	50	35.2	32	4.92	3.94	5.63	4.41	3.74	11.18	3.35	12.44	9.92	5.51	4.65	29.13	23.62	7.09	59	129
16	88	80	69.3	63	44	40	5.51	4.41	6.30	4.92	4.17	11.93	3.74	14.06	11.02	6.30	5.20	32.28	25.98	7.87	82	180
20	110	100	88	80	55	50	6.30	4.92	7.09	5.51	4.65	16.34	4.17	15.94	12.99	7.09	5.91	39.37	32.28	8.86	123	270
25	137.5	125	110	100	69.3	63	7.09	5.51	7.95	6.30	5.20	17.52	4.65	17.91	14.17	7.87	6.69	43.31	35.43	10.04	173	382
32	176	160	137.5	125	88	80	7.87	6.30	8.86	7.09	5.91	19.29	5.20	20.08	15.75	8.82	7.48	48.19	39.37	11.42	238	524
40	220	200	176	160	110	100	8.82	7.09	9.92	7.87	6.69	19.02	5.91	22.32	17.60	9.84	8.35	51.18	41.34	12.60	326	719
50	275	250	220	200	137.5	125	9.84	7.87	11.22	8.82	7.48	19.88	6.69	25.00	19.09	11.02	9.29	55.91	44.88	13.98	455	1003
63	352	320	275	250	176	160	11.02	8.82	12.60	9.84	8.35	23.23	7.48	27.95	21.65	12.40	10.43	63.58	51.18	15.75	643	1418
80	440	400	352	320	220	200	12.40	9.84	14.09	11.02	9.29	17.64	8.35	31.57	23.54	13.98	11.81	63.19	49.21	17.72	760	1676
100	550	500	440	400	275	250	13.98	11.02	15.83	12.40	10.43	20.20	9.29	35.51	27.09	15.75	13.19	71.46	55.71	19.88	1220	2690
125	693	630	550	500	352	320	15.75	12.40	17.72	13.98	11.81	23.62	10.43	40.16	29.53	17.72	14.76	81.50	63.78	22.44	1750	3858
160	880	800	693	630	440	400	17.72	13.98	19.88	15.75	13.19	25.39	11.81	45.08	32.48	19.69	16.73	90.16	70.47	25.20	2480	5467
200	1100	1000	880	800	550	500	19.69	15.75	22.24	17.72	14.76	30.43	13.19	50.20	35.43	22.05	18.70	102.68	80.63	28.35	3420	7540
250	1375	1250	1100	1000	693	630	22.05	17.72	25.00	19.69	16.73	34.45	14.76	56.30	38.58	24.80	20.87	115.55	90.75	31.89	4800	10582

- Hooks shown here are standard models; inquiries for custom versions are welcome.
- Lifting capacity determined according to crane group 1Bm as specified in DIN 15400.

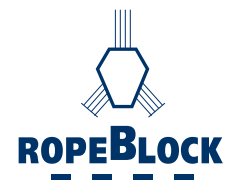


DOUBLE HOOK



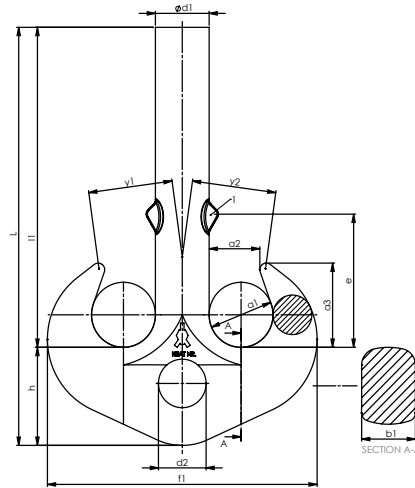
HOOK NO.	LIFTING CAPACITY US TONS V-CLASS HOOK	LIFTING CAPACITY METRIC TONS V-CLASS HOOK	LIFTING CAPACITY US TONS T-CLASS HOOK	LIFTING CAPACITY METRIC TONS T-CLASS HOOK	LIFTING CAPACITY US TONS P-CLASS HOOK	LIFTING CAPACITY METRIC TONS P-CLASS HOOK	DIMENSIONS (INCH)										WEIGHT (KG)	WEIGHT (LBS)	
							A1	A2	A3	B1	D1	E	F1	H	L	L1			Y1-Y2
1,6	8.8	8	6,93	6,3	4,4	4	1.77	1.42	2.32	1.34	1.42	3.94	7.20	1.69	10.43	8.74	2.36	5	12
2,5	13.75	12.5	11	10	6.93	6,3	1.97	1.57	2.56	1.57	1.65	4.41	8.19	1.97	11.81	9.84	2.56	7	15
4	22	20	17.6	16	11	10	2.20	1.77	2.87	1.89	1.89	4.88	9.37	2.36	15.35	12.99	3.66	10	22
5	27.5	25	22	20	13.75	12,5	2.48	1.97	3.23	2.09	2.09	5.63	10.47	2.64	14.65	12.01	3.66	13	28
6	35.2	32	27,5	25	17.6	16	2.80	2.20	3.62	2.36	2.36	6.30	11.85	2.95	19.88	16.93	3.66	18	39
8	44	40	35,2	32	22	20	3.15	2.48	4.06	2.64	2.64	7.17	13.27	3.35	21.06	17.72	4.11	26	58
10	55	50	44	40	27.5	25	3.54	2.80	4.57	2.95	2.95	7.56	14.84	3.74	23.03	19.29	4.63	35	77
12	69.3	63	55	50	35.2	32	3.94	3.15	5.12	3.35	3.35	8.27	16.57	4.17	24.25	20.08	5.22	49	108
16	88	80	69.3	63	44	40	4.41	3.54	5.75	3.74	3.74	9.33	18.54	4.65	28.27	23.62	5.85	60	132
20	110	100	88	80	55	50	4.92	3.94	6.42	4.17	4.17	10.43	20.91	5.20	33.54	28.35	6.52	97	214
25	137.5	125	110	100	69.3	63	5.51	4.41	7.17	4.65	4.65	12.40	23.54	5.91	39.37	33.46	7.28	135	298
32	176	160	137.5	125	88	80	6.30	4.92	8.07	5.20	5.20	13.19	26.46	6.69	40.16	33.46	8.15	193	425
40	220	200	176	160	110	100	7.09	5.51	9.06	5.91	5.91	14.76	29.69	7.48	47.83	40.35	9.17	280	617
50	275	250	220	200	137.5	125	7.87	6.30	10.24	6.69	6.69	16.54	33.15	8.35	51.65	43.31	10.43	338	745
63	352	320	275	250	176	160	8.82	7.09	11.50	7.48	7.48	18.11	37.17	9.29	56.54	47.24	11.69	539	1188
80	440	400	352	320	220	200	9.84	7.87	12.80	8.35	8.35	20.28	41.81	10.43	59.65	49.21	13.03	760	1676
100	550	500	440	400	275	250	11.02	8.82	14.33	9.29	9.29	22.64	46.69	11.81	67.91	56.10	14.57	1100	2425
125	693	630	550	500	352	320	12.40	9.84	16.06	10.43	10.43	25.39	52.36	13.19	74.21	61.02	16.32	1491	3287
160	880	800	693	630	440	400	13.98	11.02	18.03	11.81	11.81	28.54	59.25	14.76	83.46	68.70	18.35	2115	4663
200	1100	1000	880	800	550	500	15.75	12.40	20.28	13.19	13.19	31.50	66.34	16.73	95.39	78.66	20.7	3015	6647
250	1375	1250	1100	1000	693	630	17.72	13.98	22.83	14.76	14.76	34.45	74.21	18.70	107.28	88.58	23.13	4268	9409

- Hooks shown here are standard models; inquiries for custom versions are welcome.
- Lifting capacity determined according to crane group 1Bm as specified in DIN 15400.



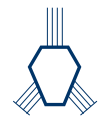
DOUBLE HOOK WITH SHACKLE HOLE

FORM B



HOOK NO.	LIFTING CAPACITY US TONS V-CLASS HOOK	LIFTING CAPACITY METRIC TONS V-CLASS HOOK	LIFTING CAPACITY US TONS T-CLASS HOOK	LIFTING CAPACITY METRIC TONS T-CLASS HOOK	LIFTING CAPACITY US TONS P-CLASS HOOK	LIFTING CAPACITY METRIC TONS P-CLASS HOOK	DIMENSIONS (INCH)											WEIGHT (KG)	WEIGHT (LBS)	
							A1	A2	A3	B1	D1	D2 (H15)	E	F1	H	L	L1			Y1=Y2
8	44	40	35,2	32	22	20	3.15	2.48	4.06	2.64	2.64	2.91	7.17	13.27	4.72	21.06	16.34	4.11	30	66
10	55	50	44	40	27.5	25	3.54	2.80	4.57	2.95	2.95	2.91	7.56	14.84	5.12	22.83	17.72	4.63	41	90
12	69.3	63	55	50	35.2	32	3.94	3.15	5.12	3.35	3.35	3.07	8.27	16.57	5.91	25.98	20.08	5.22	57	126
16	88	80	69.3	63	44	40	4.41	3.54	5.75	3.74	3.74	3.39	9.33	18.54	6.69	29.53	22.83	5.85	82	181
20	110	100	88	80	55	50	4.92	3.94	6.42	4.17	4.17	3.78	10.43	20.91	7.48	33.07	25.59	6.52	115	254
25	137.5	125	110	100	69.3	63	5.51	4.41	7.17	4.65	4.65	4.17	12.40	23.54	8.35	36.50	28.15	7.28	160	353
32	176	160	137.5	125	88	80	6.30	4.92	8.07	5.20	5.20	4.57	13.19	26.46	9.29	40.39	31.10	8.15	229	505
40	220	200	176	160	110	100	7.09	5.51	9.06	5.91	5.91	5.16	14.76	29.69	10.43	45.28	34.84	9.17	330	728
50	275	250	220	200	137.5	125	7.87	6.30	10.24	6.69	6.69	5.75	16.54	33.15	11.81	49.80	37.99	10.43	458	1010
63	352	320	275	250	176	160	8.82	7.09	11.50	7.48	7.48	6.61	18.11	37.17	13.19	56.10	42.91	11.69	638	1407
80	440	400	352	320	220	200	9.84	7.87	12.80	8.35	8.35	7.40	20.28	41.81	14.76	63.39	48.62	13.03	892	1967
100	550	500	440	400	275	250	11.02	8.82	14.33	9.29	9.29	8.19	22.64	46.69	16.73	70.87	54.13	14.57	1248	2751
125	693	630	550	500	352	320	12.40	9.84	16.06	10.43	10.43	9.25	25.39	52.36	18.70	79.72	61.02	16.32	1757	3874
160	880	800	693	630	440	400	13.98	11.02	18.03	11.81	11.81	10.24	28.54	59.25	20.87	89.57	68.70	18.35	2500	5512
200	1100	1000	880	800	550	500	15.75	12.40	20.28	13.19	13.19	11.10	31.50	66.34	23.62	100.79	77.17	20.57	3560	7848
250	1375	1250	1100	1000	693	630	17.72	13.98	22.83	14.76	14.76	12.28	34.45	74.21	26.38	113.39	87.01	23.13	5033	11096

- Hooks shown here are standard models; inquiries for custom versions are welcome.
- Lifting capacity determined according to crane group 1Bm as specified in DIN 15400.



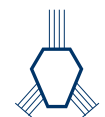
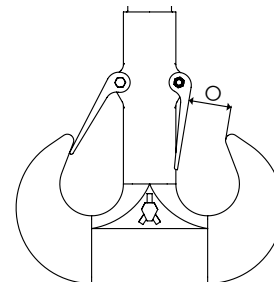
ROPEBLOCK

LATCHES

SINGLE HOOK	STANDARD HOOK LATCH	STANDARD HOOK LATCH WITH LOCKING PIN	HEAVY DUTY HOOK LATCH WITH LOCKING PIN	DIMENSIONS (INCH)
				o
1,6	64.1,6.E	on request	on request	1.57
2,5	64.2,5.E	on request	64.2,5.E.B	1.61
4	64.4.E	on request	64.4.E.B	1.93
5	64.5.E	64.5.E.F	64.5.E.B	2.17
6	64.6.E	64.6.E.F	64.6.E.B	2.24
8	64.8.E	64.8.E.F	64.8.E.B	2.72
10	64.10.E	64.10.E.F	64.10.E.B	2.99
12	64.12.E	64.12.E.F	64.12.E.B	3.31
16	64.16.E	64.16.E.F	64.16.E.B	3.82
20	64.20.E	64.20.E.F	64.20.E.B	4.33
25	64.25.E	64.25.E.F	64.25.E.B	5.2
32	64.32.E	64.32.E.F	64.32.E.B	5.39
40	64.40.E	64.40.E.F	64.40.E.B	6.57
50	64.50.E	64.50.E.F	64.50.E.B	7.4
63	64.63.E	64.63.E.F	64.63.E.B	8.07
80	64.80.E	on request	64.80.E.B	8.98
100	64.100.E	on request	64.100.E.B	10.03
125	64.125.E	on request	on request	11.41
160	64.160.E	on request	on request	13.34
200	64.200.E	on request	on request	14.81
250	64.250.E	on request	on request	16.53



SINGLE HOOK	STANDARD HOOK LATCH	STANDARD HOOK LATCH WITH LOCKING PIN	HEAVY DUTY HOOK LATCH WITH LOCKING PIN	DIMENSIONS (INCH)
				o
2,5	64.1,6.E	on request	on request	1.18
4	64.2,5.E	on request	64.2,5.E.B	1.22
5	64.4.E	64.5.D.F	64.4.E.B	1.5
6	64.5.E	64.6.D.F	64.5.E.B	1.89
8	64.6.E	64.8.D.F	64.6.E.B	1.85
10	64.8.E	64.10.D.F	64.8.E.B	2.24
12	64.10.E	64.12.D.F	64.10.E.B	2.36
16	64.12.E	64.16.D.F	64.12.E.B	2.48
20	64.16.E	64.20.D.F	64.16.E.B	2.87
25	64.20.E	64.25.D.F	64.20.E.B	3.43
32	64.25.E	64.32.D.F	64.25.E.B	4.25
40	64.32.E	64.40.D.F	64.32.E.B	4.41
50	64.40.E	64.50.D.F	64.40.E.B	5.12
63	64.50.E	64.63.D.F	64.50.E.B	5.75
80	64.63.E	64.80.D.F	64.63.E.B	6.54
100	64.80.E	64.100.D.F	64.80.E.B	7.48
125	64.100.E	on request	64.100.E.B	8.46
160	64.125.E	on request	on request	9.65
200	64.160.E	on request	on request	11.38
250	64.200.E	on request	on request	12.51



ROPEBLOCK

Ropeblock latches are zinc plated and are also available in stainless steel.