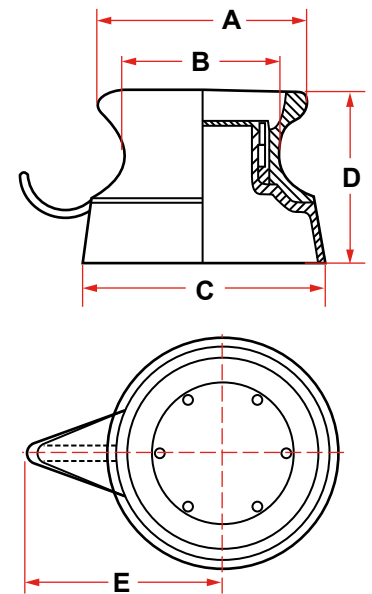
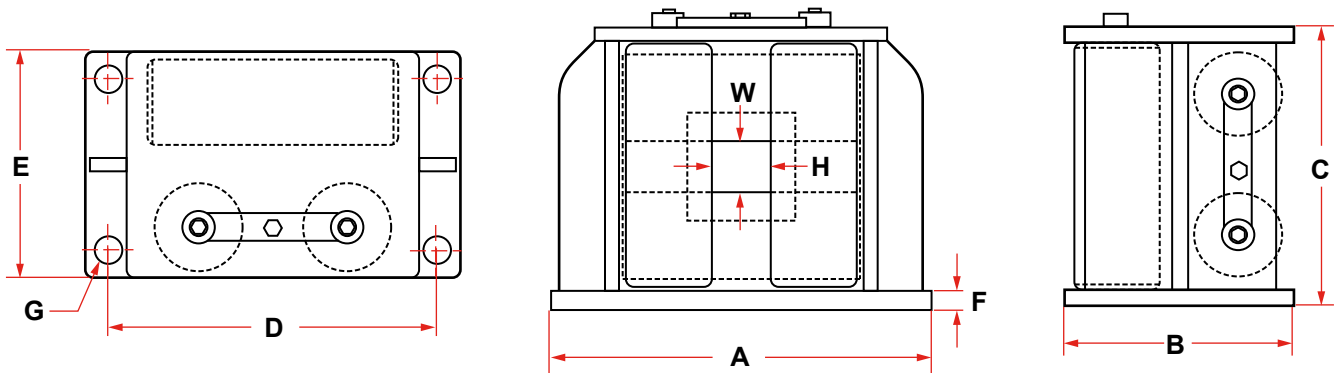


PEDESTAL FAIRLEADERS

| MODEL NO. | MAX WIRE SIZE | WIRE BREAKING STRENGTH (LBS) | DIMENSIONS (INCHES) | | | | | WEIGHT (LBS) |
|-----------|---------------|------------------------------|---------------------|----|----|--------|----------|--------------|
| | | | A | B | C | D | E | |
| PFH-10 | 3/4 | 58800 | 14 | 10 | 18 | 16 | 15 | 300 |
| PFH-12 | 1 | 103400 | 16 | 12 | 20 | 16 | 16 | 350 |
| PFH-14 | 1-3/8 | 192000 | 19 | 14 | 23 | 16-3/4 | 19-5/16 | 480 |
| PFH-16 | 1-3/8 | 192000 | 20-1/2 | 16 | 24 | 18-1/4 | 19-13/16 | 600 |
| PFH-18 | 1-1/2 | 288000 | 24 | 18 | 28 | 19 | 21 | 890 |
| PFH-24 | 2 | 396000 | 30 | 24 | 36 | 27 | 24-1/2 | 1700 |



ROLLER FAIRLEADERS



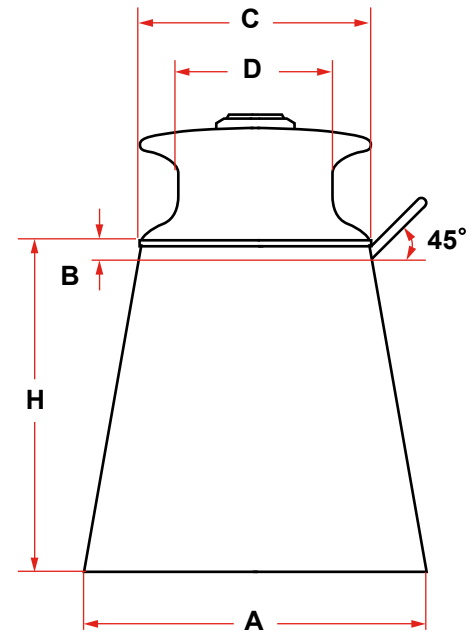
| MODEL NO. | DIMENSIONS (INCHES) | | | | | | | | | | | NO. BOLT HOLES | LBS. | |
|-----------|---------------------|-----------------|-------------------|---------------|--------|--------|--------|--------|--------|-------|-------|----------------|------|------------|
| | WIRE ROPER SIZE | VERTICAL ROLLER | HORIZONTAL ROLLER | OPENING W X H | A | B | C | D | E | F | G | | | ROLLER PIN |
| RF-0 | 5/16 to 3/8 | 2.25 x 6.50 | 2.25 x 6.50 | 2.25 x 2.25 | 12.000 | 5.250 | 8.188 | 10.250 | 3.875 | 0.500 | 25/32 | 1.000 | 4 | 52 |
| RF-1 | 1/2 to 7/8 | 4 x 11.375 | 4 x 11.375 | 2.75 x 2.75 | 17.500 | 10.500 | 13.125 | 15.000 | 8.000 | 0.750 | 1.063 | 1.375 | 4 | 235 |
| RF-2 | 1 to 1-1/4 | 6 x 15.375 | 5.00 x 11.00 | 5.00 x 4.00 | 26.000 | 17.000 | 18.500 | 22.000 | 12.500 | 1.125 | 1.531 | 1.500 | 4 | 700 |
| RF-3 | 1-3/4 | 8.00 x 22.50 | 8 x 22.50 | 6.5 x 6.5 | 36.750 | 23.000 | 27.125 | 31.000 | 8.000 | 1.500 | 1.813 | 3.000 | 6 | 2400 |

| MODEL NO. | DIMENSIONS (MM) | | | | | | | | | | | NO. BOLT HOLES | KGS | |
|-----------|-----------------|-----------------|-------------------|---------------|-----|-----|-----|-----|-----|----|----|----------------|-----|------------|
| | WIRE ROPER SIZE | VERTICAL ROLLER | HORIZONTAL ROLLER | OPENING W X H | A | B | C | D | E | F | G | | | ROLLER PIN |
| RF-0 | 8 to 10 | 57 x 165 | 57 x 165 | 57 x 57 | 305 | 133 | 208 | 260 | 98 | 13 | 20 | 25 | 4 | 24 |
| RF-1 | 12 to 22 | 102 x 289 | 102 x 289 | 70 x 70 | 444 | 267 | 333 | 381 | 203 | 19 | 27 | 35 | 4 | 107 |
| RF-2 | 25 to 32 | 152 x 391 | 127 x 279 | 127 x 102 | 660 | 432 | 470 | 559 | 318 | 29 | 39 | 38 | 4 | 318 |
| RF-3 | 44 | 203 x 572 | 203 x 572 | 165 x 165 | 933 | 584 | 689 | 787 | 203 | 38 | 46 | 76 | 6 | 1089 |

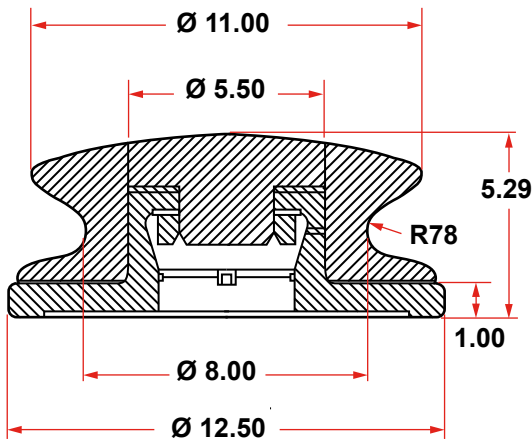
Larger sizes available upon request.

PEDESTAL ROLLER FAIRLEADS - TYPE EU

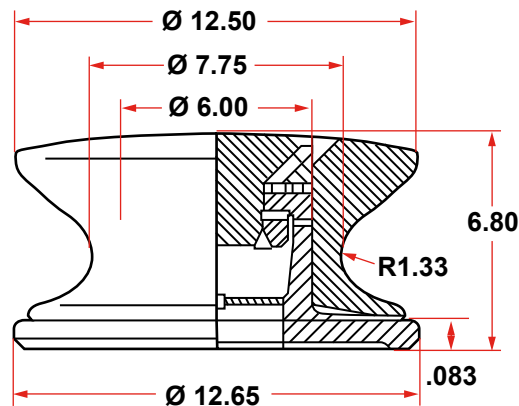
| HEIGHT : H | 800 | 1000 | 1200 | 1400 | | | WALL THICKNESS |
|----------------|------|------|------|------|----|-----|----------------|
| ROLLER DIA : D | A | A | A | A | B | C | |
| 300 | 715 | 800 | 900 | 1000 | 25 | 440 | 12 |
| 350 | 800 | 825 | 950 | 1120 | 30 | 500 | 12 |
| 400 | 1000 | 1020 | 1020 | 1150 | 35 | 560 | 16 |
| 450 | 1020 | 1022 | 1120 | 1180 | 35 | 630 | 16 |
| 500 | 1020 | 1120 | 1180 | 1250 | 40 | 710 | 16 |
| 560 | 1120 | 1180 | 1250 | 1380 | 40 | 800 | 16 |



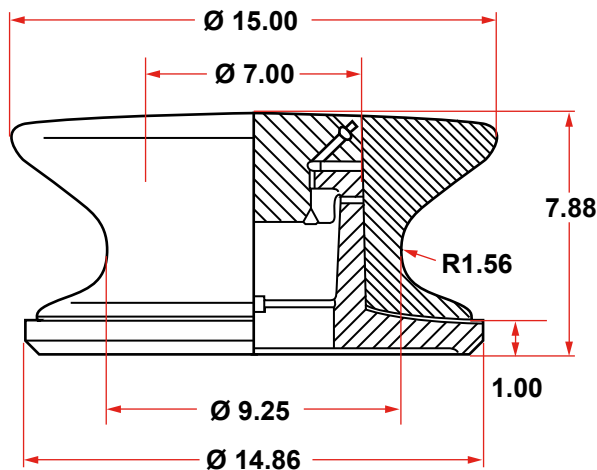
OTHER MODELS ROLLER BUTTONS



MODEL 50



MODEL 75



MODEL 100

ROLLER BUTTONS FREE ROLLING

These are the finest high-loaded carrying, free-rolling roller buttons that have ever been designed, and are manufactured in sizes to suit the needs of boats, seagoing tugs and ships. Precision machined parts have working parts coated with an extremely hard coating - 70 Rockwell C-Scale - which is corrosion resistant. The buttons will not freeze up as most do, because they are closed at the top. The air pocket formed on the inside, makes it practically impossible for water to enter the working parts. Before shipment, the roller buttons are completely lubricated and should need only occasional attention after installation and use.