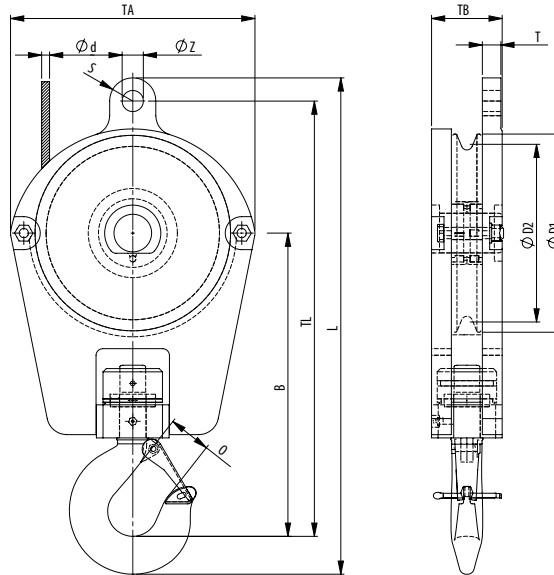


SINGLE SHEAVE COMPACT CRANE BLOCKS

SINGLE ACTION HOOK



MODEL NO.	MODEL NO.	WLL (UST)	FOR WIRE ØD INCH	DIMENSIONS (INCH)											WEIGHT (LBS)
				ØD1	ØD2	B	O	R	S	TA	TB	TL	T	ØZ	
HB 210.11.1.5.E	21.250.05.11-11	5.5	7/16	9 13/16	8 1/4	13 11/16	1 5/16	1/4	1 3/16	12 5/8	4 1/16	20 9/16	13/16	1 1/16	90
HB 220.13.1.5.E	21.260.05.11-13	5.5	1/2	10 1/4	8 11/16	13 7/8	1 5/16	1/4	1 3/16	13 7/8	4 5/16	20 11/16	7/8	1 1/16	148
HB 220.14.1.8.E	21.260.08.11-14	8.8	9/16	10 1/4	8 9/16	15 3/8	1 11/16	5/16	1 3/8	13	4 3/4	22 1/2	1 1/8	1 1/4	176
HB 220.14.1.10.E	21.260.10.11-14	11	9/16	10 1/4	8 9/16	16 7/8	2 1/16	5/16	1 3/8	13	5 3/8	24	1 1/8	1 1/4	205
HB 255.13.1.8.E	21.300.08.11-13	8.8	1/2	11 13/16	10 1/16	16 3/4	1 11/16	1/4	1 3/16	14 9/16	4	24 7/16	7/8	1 1/16	196
HB 255.16.1.8.E	21.300.08.11-16	8.8	5/8	11 13/16	9 15/16	16 9/16	1 11/16	5/16	1 3/8	14 9/16	4 3/8	24 7/16	1 1/8	1 1/4	207
HB 255.16.1.10.E	21.300.10.11-16	11	5/8	11 13/16	9 15/16	18 1/16	2 1/16	5/16	1 3/8	14 9/16	5	25 15/16	1 1/8	1 1/4	201
HB 305.16.1.10.E	21.350.10.11-16	11	5/8	13 3/4	12	19 5/8	2 1/16	5/16	1 3/8	17 1/8	4 3/16	29 1/8	1 1/8	1 5/16	249
HB 345.18.1.12.E	21.400.12.11-18	13.2	11/16	15 3/4	13 9/16	21 15/16	2 1/4	3/8	1 3/4	19 11/16	4 15/16	32 3/4	1 3/8	1 7/16	357
HB 390.20.1.16.E	21.450.16.11-20	17.6	13/16	17 11/16	15 3/8	23 5/16	2 1/4	7/16	1 15/16	21 5/8	5 3/16	36 1/8	1 3/8	1 11/16	454
HB 430.22.1.20.E	21.500.20.11-22	22	7/8	19 11/16	16 15/16	23 5/16	3	1/2	1 15/16	23 5/8	5 13/16	40 5/8	1 9/16	1 11/16	626

- Standard fitted with becket, cylindrical roller bearing and reeving guide.
- Standard fitted with Crosby type of swivel only hook (319AN style), including safety latch and split pin. Standard painted yellow (no striping).
- This crane block may be used with 2 lines only as well.
- Third party testing with certification available upon request.
- Sheaves may be adjusted for other wire rope diameters.
- Becket suitable for connecting Open Wedge Socket for indicated wire rope.
- Becket cannot be adjusted.

Minimum Ultimate Strength = 4 x WLL.



ROPEBLOCK