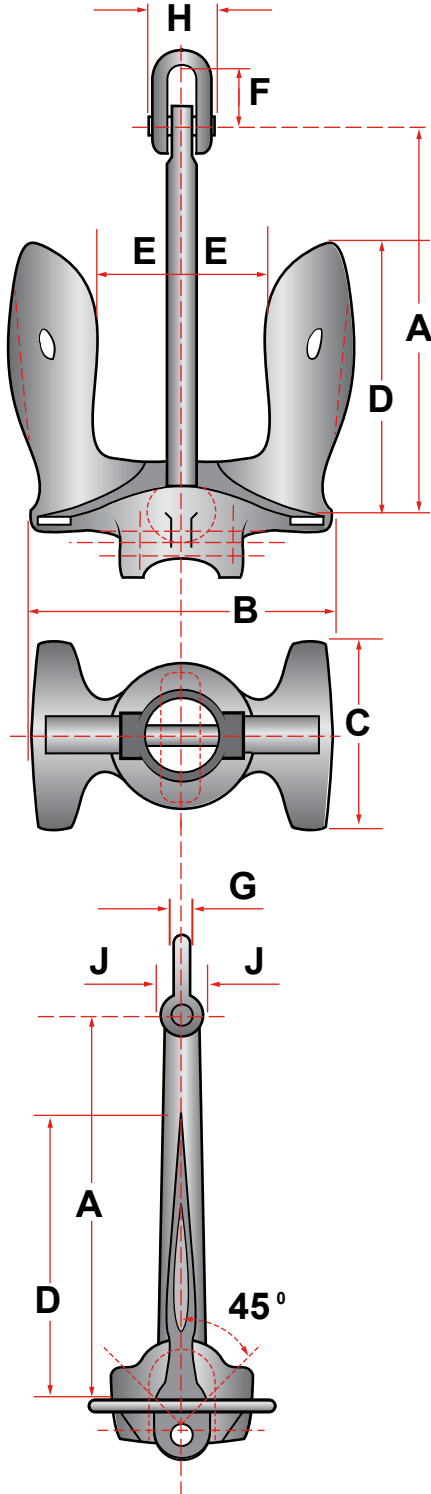


## U.S. NAVY STOCKLESS ANCHOR



ANCHOR WT	A	B	C	D	E	F	G	H	J	PROOF TEST
300	28-5/8	22-1/8	13-3/4	20-5/16	6-7/16	6	1-1/8	4	3-1/2	11560
400	31-1/2	24-5/8	15-1/8	22-3/8	6-15/16	6-13/16	1-1/4	4-3/8	3-7/8	13520
500	34	26-1/4	16-1/4	24-3/32	7-1/2	6-5/16	1-5/16	4-11/16	4-1/8	15420
600	36	27-29/32	17-9/32	25-5/8	7-13/16	6-5/8	1-7/16	5	4-3/8	17270
800	39-11/16	30-11/16	19	28-3/16	8-3/4	7-5/16	1-9/16	5-9/16	4-7/8	20970
1000	42-3/16	33-1/8	20-1/2	30-3/8	9-13/32	7-15/16	1-11/16	6	5-1/4	24700
1200	45-3/8	35-1/8	21-3/4	32-1/4	10	8-3/16	1-7/8	6-3/8	5-1/2	28360
1300	46-5/8	36	22-3/8	33-1/8	10-9/32	8-11/16	1-3/4	6-3/8	5-11/16	30210
1500	49	37-7/8	23-1/2	34-3/4	10-3/4	9	2	6-7/8	6	33810
1800	52	40-1/4	24-15/16	36-15/16	11-7/16	9-9/16	2-1/16	7-5/16	6-3/8	39000
2000	54	41-11/16	25-13/16	38-1/4	11-7/8	9-15/16	2-1/8	7-9/16	6-1/2	42450
2200	54-5/8	43	26-5/8	39-1/2	12-1/4	10-1/4	2-3/16	7-13/16	6-3/4	45730
2500	58	44-7/8	27-13/16	41-1/4	12-3/4	10-3/4	2-1/4	8-3/16	7-3/16	50660
3000	63-1/2	50	30-1/2	44-1/2	13-7/8	11-1/4	2-3/8	8-1/2	7-1/2	58720
3500	64-7/8	50-1/8	31-1/16	46-3/32	14-9/32	12	2-1/2	8-15/16	7-7/8	66220
4000	67-7/8	52-1/2	32-9/16	48-7/32	14-15/16	12-1/2	2-11/16	9-9/16	8-13/16	73720
5000	73	56-9/16	35	51-15/16	16-1/16	13-1/2	2-7/8	10-1/4	9-1/8	87360
6000	77-3/4	60-3/16	37-5/16	55-1/4	17-1/8	14-5/16	3-1/16	10-15/16	9-5/8	99760
7000	82	63-1/4	39-1/4	58-1/16	18-1/32	15-1/8	3-3/16	11-1/2	9-15/16	111440
8000	85-1/2	66-1/4	41	60-3/4	18-7/8	15-3/4	3-3/8	12	10-3/8	121830
9000	88-7/8	68-3/4	42-5/8	63-1/8	19-5/8	16-3/8	3-1/2	12-1/2	10-13/16	131480
10000	92	71-1/4	44-1/8	65-3/8	20-5/16	17	3-5/8	12-15/16	13-3/16	140830
11000	95	73-9/16	45-5/8	67-1/2	20-29/32	17-1/2	3-3/4	13-3/8	11-3/4	149100
12000	97-7/8	75-3/4	47	69-1/2	21-19/32	18	3-7/8	13-3/4	11-7/8	156600
13000	100	77-3/8	46-5/8	71-1/16	22	18-3/8	3-15/16	14-1/8	12-5/16	164100
14500	104	80-5/8	50	74	22-9/16	19-3/16	4-1/8	14-5/8	12-7/8	174100
15000	105-1/2	82-1/4	51	73-1/4	23-1/8	19-5/8	4-1/4	15	13	177220
16000	107-11/16	83-11/32	51-5/8	76-1/2	23-23/32	19-7/8	4-1/4	15-1/8	13-1/4	183500
18000	112	86-5/8	53-3/4	79-9/16	24-5/8	20-5/8	4-3/8	15-3/4	13-13/16	194720
20000	116	89-3/4	55-5/8	82-7/16	25-1/2	21-7/16	4-1/2	16-1/4	14-5/16	204720
22500	120-1/2	93-5/16	57-13/16	85-11/16	26-17/32	22-1/4	4-3/4	17	14-7/8	217000
25000	125	96-11/16	59-15/16	88-13/16	27-1/2	22-15/16	5	17-9/16	15-7/16	232100
30000	132-3/4	102-11/16	63-5/8	94-1/4	29-7/32	24-7/16	5-1/4	18-11/16	16-3/8	252800
35000	139-3/4	108	67-1/16	99-5/16	30-3/4	25-3/4	5-1/2	19-11/16	17-1/4	269900
40000	146	113-1/6	70	103-1/8	32-1/4	27-1/8	5-5/8	20-1/2	17-3/4	284300
45000	152	117-5/8	72-7/8	108	33-7/16	28	6	21-3/8	18-3/4	296400
60000	188	125-3/4	87-5/16	132-7/8	38-11/16	29	7-1/2	24-1/2	20-1/2	372700

Intermediate sizes available upon request.

Dimensions above are in inches, anchor weight in pounds.

Certified drawings of anchors, listed above, and of intermediate and larger sizes may be furnished on request.