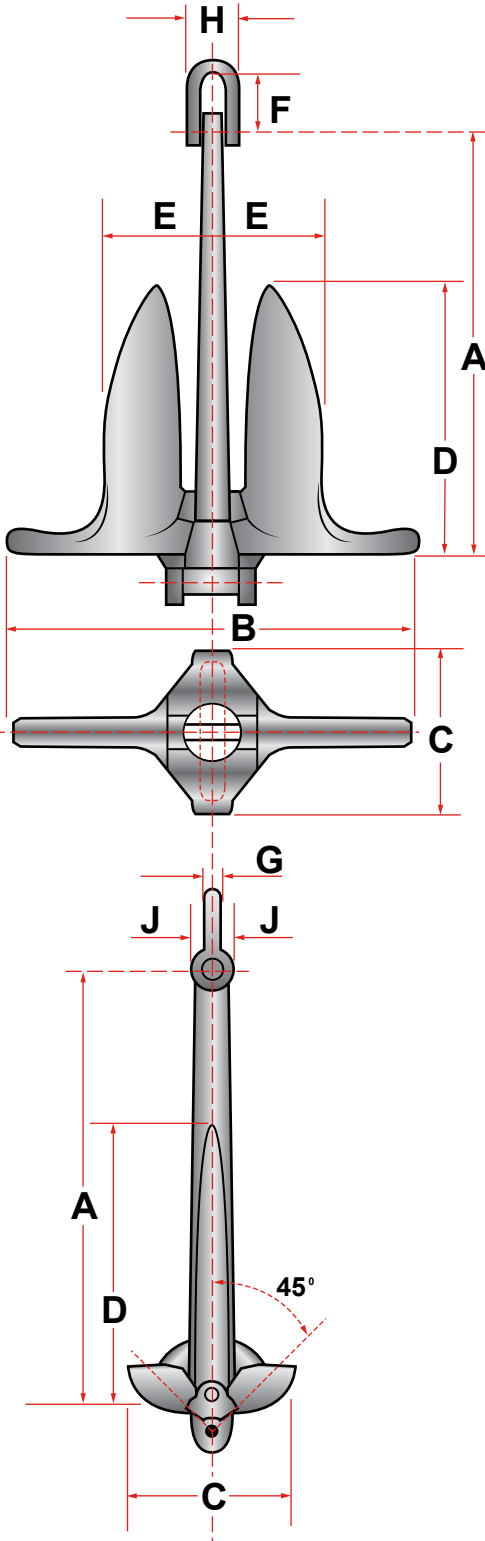


SNUG STOWING ANCHOR



ANCHOR WT	A	B	C	D	E	F	G	H	J	PROOF TEST
200	30-7/8	29-11/16	12-1/16	20-1/8	16-3/16	3-3/4	1	3-11/16	2-3/4	10100
250	33-5/16	32	13	21-11/16	17-7/16	3-3/4	1	3-11/16	3	11600
300	35-3/16	34	13-3/4	23	18-1/2	3-3/4	1	3-11/16	3-1/8	13000
350	37-3/16	35-3/4	14-1/2	24-1/4	19-1/2	3-3/4	1	3-11/16	3-3/8	14300
400	38-7/8	37-3/8	15-1/4	25-3/8	20-3/8	3-3/4	1	3-11/16	3-1/2	15600
450	40-3/8	38-7/8	15-3/4	26-3/8	21-1/8	3-3/4	1	3-11/16	3-5/8	16900
500	41-3/4	40-1/4	16-3/8	27-1/4	21-7/8	4-5/8	1-1/4	4-17/32	3-3/4	18100
750	48	46	18-3/4	31-1/4	25-1/8	4-5/8	1-1/4	5-3/8	4-3/8	24100
1000	52-3/4	50-3/4	20-5/8	34-3/8	27-5/8	5-11/16	1-1/2	5-3/8	4-3/4	30000
2000	66-1/2	64	26	43-1/4	34-7/8	7-7/8	2	7-1/4	6	52300
3000	76	73	29-5/8	49-1/2	39-3/4	9-3/8	2-1/2	9-1/8	6-7/8	72500
4000	83-3/4	80-1/2	32-3/4	54-1/2	43-7/8	9-3/8	2-1/2	9-1/8	7-1/2	90700
5000	90-3/8	86-3/4	35-1/4	58-3/4	47-1/4	10-1/8	3	11	8-1/8	107000
6000	96	92-1/8	37-1/2	62-1/2	50-1/4	10-1/8	3	11	8-3/8	121300
7000	101	97	39-1/2	65-3/4	52-7/8	10-1/8	3	11	9-1/8	134300
8000	105-3/4	101-1/2	41-1/4	68	55-3/8	10-1/8	3	11	9-1/2	145600
9000	110	105-1/2	43	71-1/2	57-1/2	12-3/8	3-1/2	12-1/4	10	155600
10000	113-3/4	109-1/4	44-1/2	74	59-1/2	12-3/8	3-1/2	12-1/4	10-1/4	165600
11000	117-1/2	112-7/8	45-3/4	76-1/2	61-1/2	19	4	13-3/4	10-1/2	174600
12000	120-3/4	116	47-1/8	78-5/8	63-1/4	19	4	13-3/4	10-1/8	184700
13000	124	119-1/8	48-3/8	80-3/4	64-7/8	19	4	13-3/4	11-1/8	194300
14000	127-1/4	122-1/4	49-5/8	82-3/4	66-5/8	19	4	13-3/4	11-1/2	205000
15000	130	125	50-3/4	84-5/8	68	19	4	13-3/4	11-3/4	213700
16000	133-1/4	128	52	86-3/4	69-3/4	19	4	13-3/4	12	222700
17000	136	130-1/2	53-1/8	88-1/2	71-1/8	19	4-1/2	13-3/4	12-1/4	230000
18000	138-3/4	133-1/8	54-1/8	90-1/4	72-1/2	22	4-1/2	15-3/4	12-1/2	238000
19000	141	135-1/2	55	91-7/8	73-7/8	22	4-1/2	15-3/4	12-3/4	244100
20000	143-1/4	137-5/8	56	93-1/4	75	22	4-1/2	15-3/4	12-7/8	249400
25000	154	148	60-1/4	100-1/2	80-3/4	22	4-1/2	15-3/4	13-7/8	282500
30000	164	157-1/2	64-1/8	106-3/4	86	24	5	17-3/4	14-3/4	319400
40000	180	173	70	117	94	26	5-1/2	19	16	386400
50000	195	187	76	126	102	28	6	20	18	448300
60000	206	197	80	134	108	30	6	22	19	506200
70000	218	208	85	140	113	32	6-1/2	23	20	561400
80000	227	218	89	146	120	33	6-1/2	24	21	613400
90000	236	226	92	153	126	35	7	26	22	690000
100000	244	234	95	158	130	36	7	27	23	767000

All specifications in pounds and inches.
Intermediate sizes may be furnished on request.