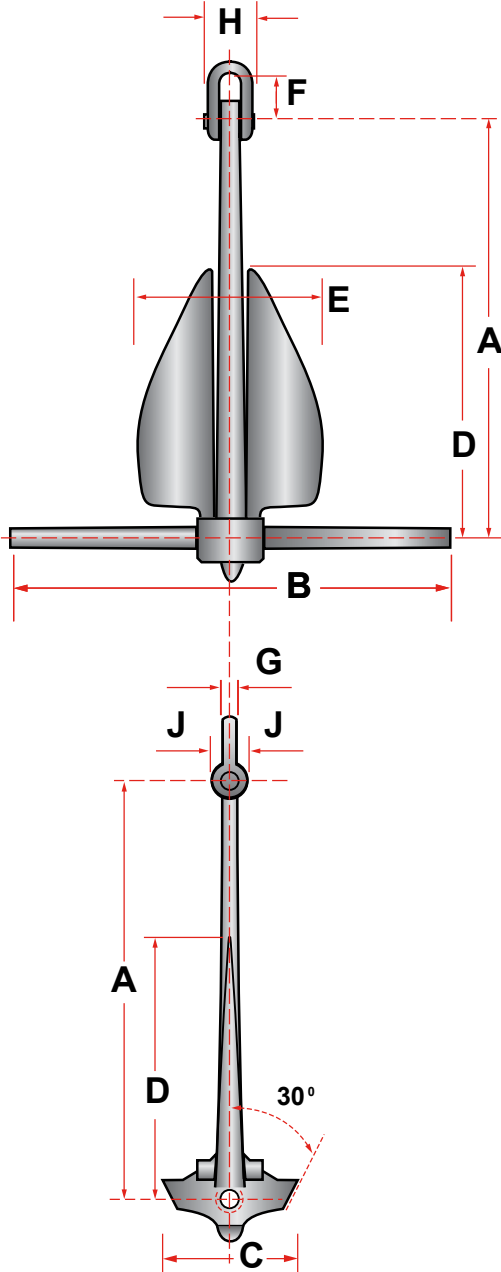


LIGHTWEIGHT (LWT) ANCHOR



ANCHOR WT	A	B	C	D	E	F	G	H	J	PROOF TEST
100	41-1/2	39-1/2	12-3/46	24	15-5/8	3-3/4	7/8	3-3/8	2-1/4	5500
150	46-3/4	44-1/2	13-11/16	27	17-3/8	5-1/2	1	4	2-3/8	6800
200	47-1/2	45	14-3/16	29	18-7/8	5-1/2	1	4	3-1/8	10100
250	47-1/2	45	14-9/16	29	18-7/8	5-1/2	1	4	3-1/8	11600
300	53	50	16-5/16	32-1/2	21-1/4	7	1-1/4	5	3-1/4	13000
350	53	50	16-11/16	32-1/2	21-1/4	7	1-1/4	5	3-1/4	14300
400	57-1/2	54-1/4	17-3/4	35-1/4	23	7	1-1/4	5	3-1/2	15600
450	60	56-1/2	18-3/8	36-3/4	24	7	1-1/4	5	3-3/4	16900
500	61-1/2	58-1/2	19	37-1/2	24	7-1/2	1-1/2	6	4-1/4	18100
750	69	64-1/2	21-1/8	42	28-7/16	7-1/2	1-1/2	6	4-7/8	24100
1000	75	71	24-1/2	46	29-1/4	9-3/4	2	8	5-1/4	30000
1500	86-1/2	58-1/2	27-5/8	53	31-7/8	12	2-1/2	9-1/2	6	41400
2000	92-1/2	85	30	56-1/2	37-1/4	12	2-1/2	9-1/2	7	52300
3000	108-1/2	104	34-3/4	66	40-3/8	15	3	11	7-3/4	72500
4000	116	110	37-1/2	71	44	15	3	11	9	90700
5000	118	112	38-3/4	72	44-3/4	17	3-1/2	12-1/4	9-1/2	110700
6000	124	118	41	76	47-1/4	19	4	13-3/4	10-1/4	121300
7000	124	118	41	76	47-1/4	19	4	13-3/4	10-1/4	134300
8000	128	121	43-1/2	78	50-1/4	19	4	13-3/4	12	145600
9000	133	126	45-1/4	81-1/8	52-1/4	19	4	13-3/4	12-1/2	155800
10000	144	137	49	88	55-1/4	22	4-1/2	15-3/4	13	165800
11000	144	137	49	88	55-1/4	22	4-1/2	15-3/4	13	174600
12000	146	138-1/2	49-3/4	89-1/8	57-3/8	22	4-1/2	15-3/4	13-3/4	184700
13000	154	146	52-1/2	94	60-1/2	24	5	17-1/2	14-1/2	194300
14000	154	146	52-1/2	94	60-1/2	24	5	17-1/2	14-1/2	203000
15000	157	149-1/4	53-5/8	96	61-7/8	24	5	17-1/2	14-7/8	213700
16000	161	152-1/2	54-7/8	98-1/4	63-1/4	24	5	17-1/2	14-1/8	222700
17000	164	155-1/2	56	100	64-1/2	24	5	17-1/2	15-1/2	230000
18000	167	158-1/2	57	102	65-5/8	24	5	17-1/2	15-3/4	238600
19000	170-1/2	161-3/8	58	104	66-3/4	25	5-1/2	20	16	244100
20000	173	164	59	106	68	25	5-1/2	20	16-3/8	249400
25000	191	178	67-1/4	116	75	26-1/2	5-1/2	20	16	282500
30000	198	189	67-1/2	121	78	29	5-1/2	20	17	319400
35000	208	199	71	127	82	30 1/2	6	21	18	353750
40000	218	240	75	131	86	32	6	24	20-1/2	386400
45000	227	250	78	136	89	33	6-1/4	26	22	413825
50000	235	260	81	141	92	34	6-1/2	27	23	448300
60000	250	278	86	150	97	36	6-1/2	29	24	506200
70000	264	290	91	157	103	38	7	30	26	561400
80000	275	304	95	165	107	40	7-1/2	31	27	613400
90000	287	317	99	172	112	41	8	33	28	690000
100000	296	328	102	178	116	43	8	34	29	767000

All specifications in pounds and inches.
Intermediate sizes may be furnished on request.