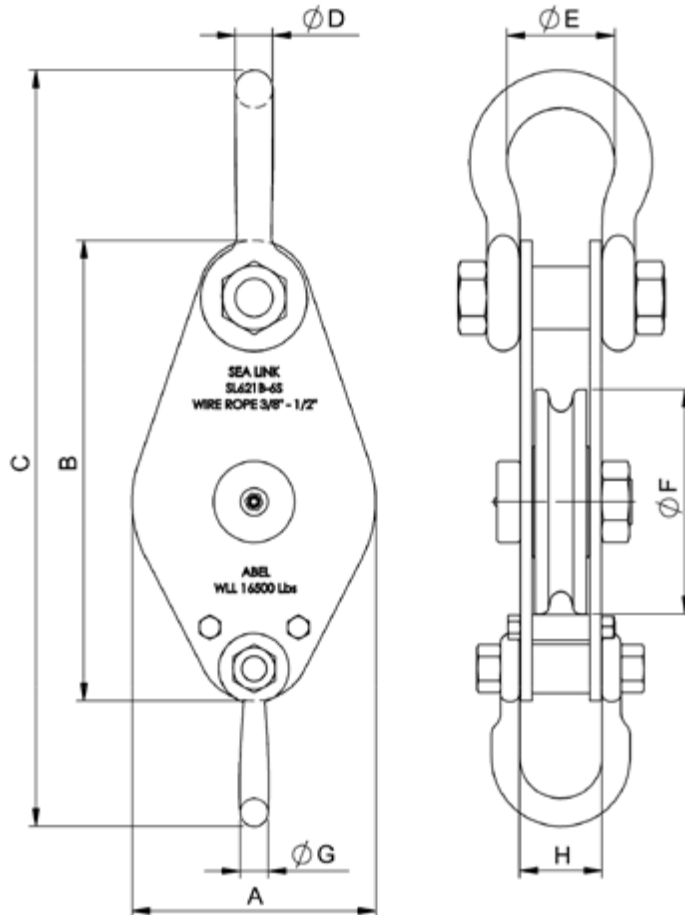


## MEDIUM WEIGHT OVAL PATTERN CONSTRUCTION BLOCK SINGLE SHEAVE



SL700B AVAILABLE DIAMOND PATTERN, UPON REQUEST.

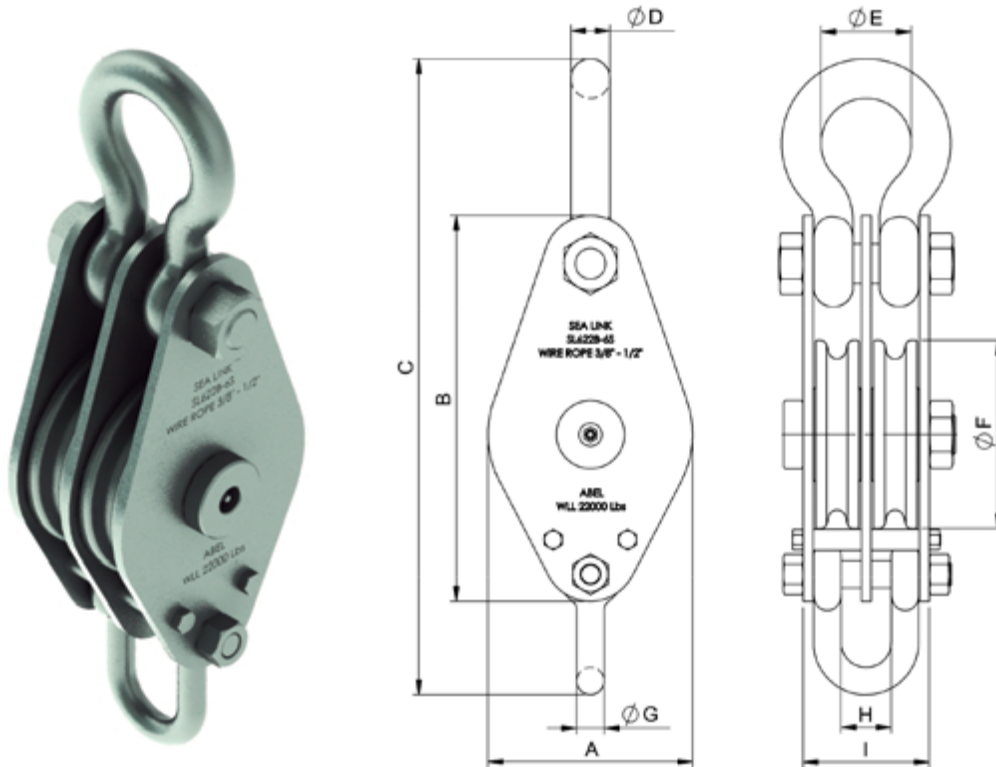
MODEL NO.	WLL LBS	WIRE ROPE	DIMENSIONS (MM)								WEIGHT (LBS)
		ØR	A	B	C	ØD	ØE	ØF	ØG	H	
SL621B-6S	22000	3/8 - 1/2	6.5	12.3	20.5	1.13	2.87	6	0.75	2.2	28
SL621B-8S	16500	1/2 - 5/8	8.5	14.6	22.8	1.13	2.87	8	0.75	2.2	39
SL621B-10S	22000	5/8 - 3/4	10.2	18.1	26.4	1.13	2.87	10	0.75	2.2	55

- Blocks built to 4:1 Design Factor.
- Blocks made with Bronze Bushed sheaves to SAE64 specifications.
- All accessories are forged.
- Dimensions shown represent current models and are subject to change.
- Blocks shown are standard models.
- Custom models available upon request.

See our warnings & application instructions

**SEALINK**  
Quality Rigging Products

## MEDIUM WEIGHT OVAL PATTERN CONSTRUCTION BLOCK DOUBLE SHEAVE



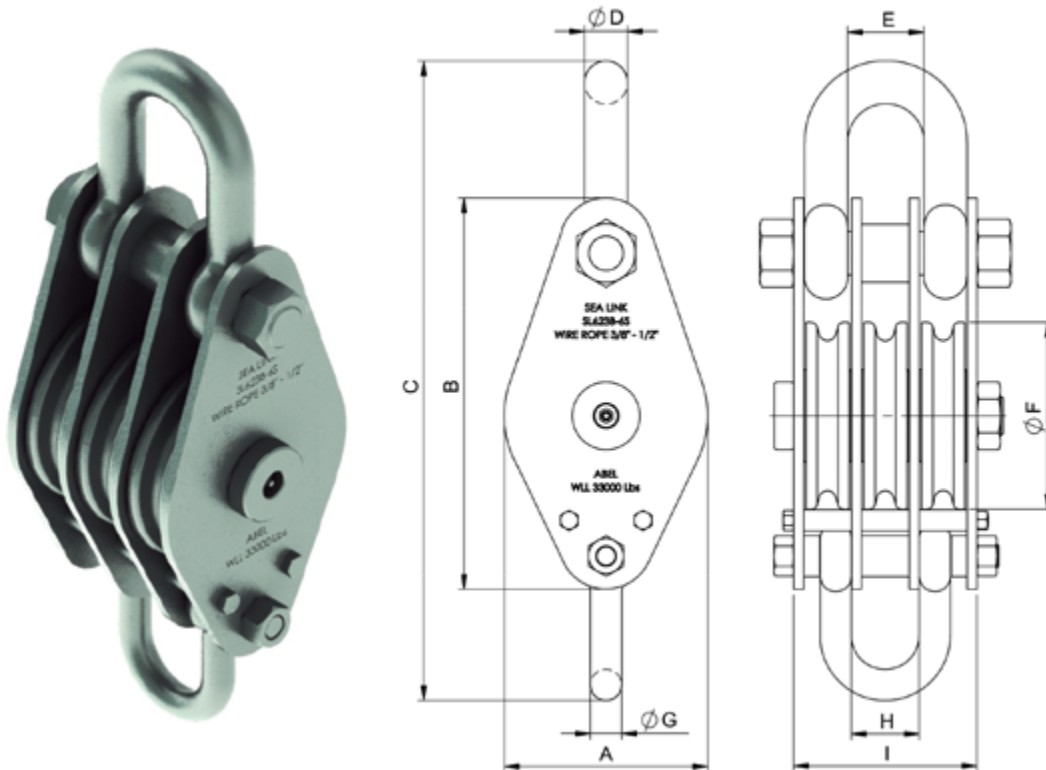
SL700B AVAILABLE DIAMOND PATTERN, UPON REQUEST.

MODEL NO.	WLL LBS	WIRE ROPE ØR	DIMENSIONS (MM)									WEIGHT (LBS)
			A	B	C	ØD	ØE	ØF	ØG	H	I	
SL622B-6S	22000	3/8 - 1/2	6.5	12.3	20.5	1.25	2.87	6	0.87	1.6	4.0	44
SL622B-8S	22000	1/2 - 5/8	8.5	14.6	22.8	1.25	2.87	8	0.87	1.6	4.0	57
SL622B-10S	33000	5/8 - 3/4	10.2	18.1	26.4	1.38	2.87	10	0.87	1.6	4.0	88

- Blocks built to 4:1 Design Factor.
- Blocks made with Bronze Bushed sheaves to SAE64 specifications.
- All accessories are forged.
- Dimensions shown represent current models and are subject to change.
- Blocks shown are standard models.
- Custom models available upon request.

See our warnings & application instructions

## MEDIUM WEIGHT OVAL PATTERN CONSTRUCTION BLOCK TRIPLE SHEAVE



SL700B AVAILABLE DIAMOND PATTERN, UPON REQUEST.

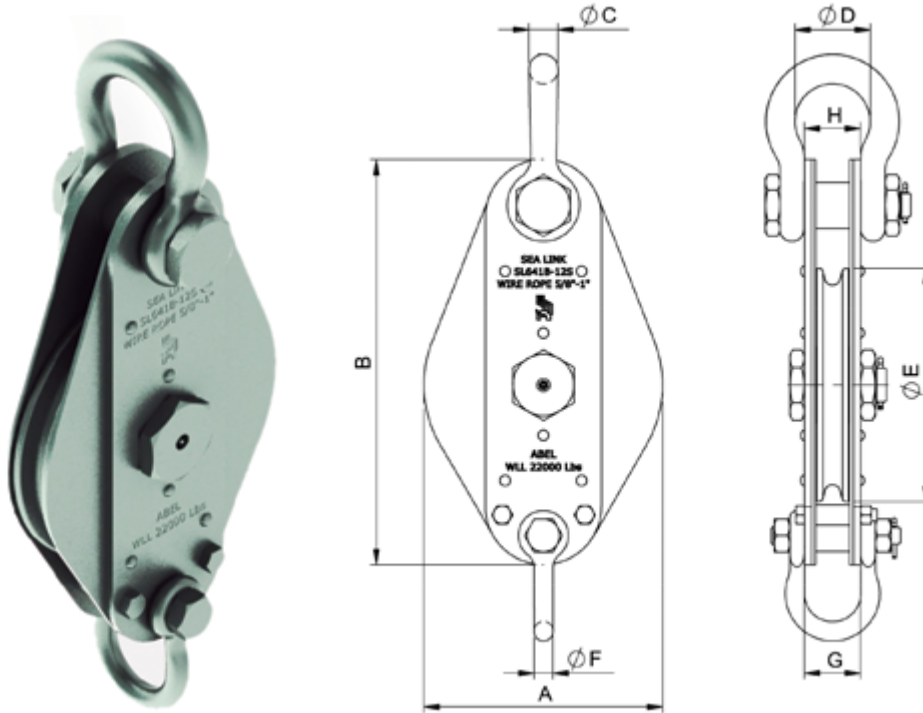
MODEL NO.	WLL LBS	WIRE ROPE ØR	DIMENSIONS (MM)									WEIGHT (LBS)
			A	B	C	ØD	E	ØF	ØG	H	I	
SL623B-6S	33000	3/8 - 1/2	6.5	12.3	20.5	1.38	2.4	6	1.0	2.2	5.9	59
SL623B-8S	33000	1/2 - 5/8	8.5	14.6	22.8	1.38	2.4	8	1.0	2.2	5.9	78
SL623B-10S	44000	5/8 - 3/4	10.2	18.1	26.4	1.5	2.2	10	1.13	2.2	5.9	120

- Blocks built to 4:1 Design Factor.
- Blocks made with Bronze Bushed sheaves to SAE64 specifications.
- All accessories are forged.
- Dimensions shown represent current models and are subject to change.
- Blocks shown are standard models.
- Custom models available upon request.

See our warnings & application instructions

**SEALINK**  
Quality Rigging Products

## EXTRA HEAVY OVAL PATTERN CONSTRUCTION BLOCK SINGLE SHEAVE



SL740B AVAILABLE DIAMOND PATTERN, UPON REQUEST.

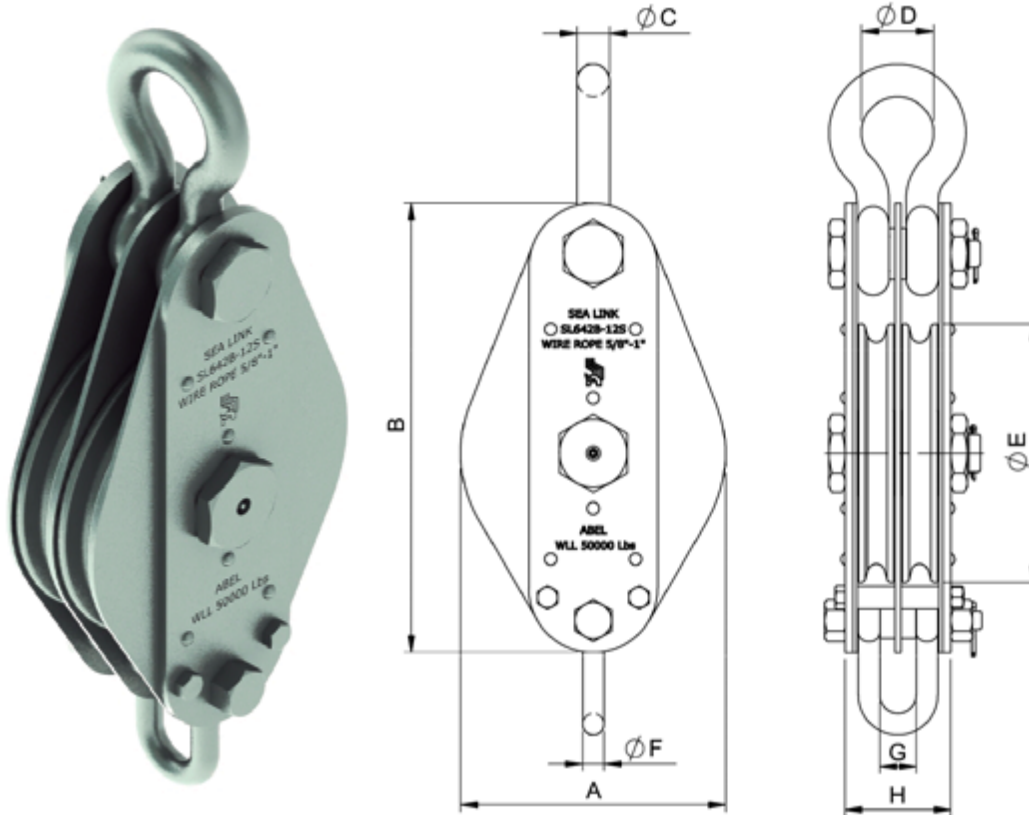
MODEL NO.	WLL LBS	WIRE ROPE ØR	DIMENSIONS (MM)								WEIGHT (LBS)
			A	B	ØC	ØD	ØE	ØF	G	H	
SL641B-8S	16500	5/8 - 3/4	8.3	14.8	1.1	2.9	8	0.75	2.5	2.5	46
SL641B-10S	22000	5/8 - 7/8	10.3	18.1	1.3	3.1	10	0.87	2.6	2.6	63
SL641B-12S	22000	5/8 - 1	12.3	20.9	1.5	3.9	12	1.0	2.9	2.9	95
SL641B-14S-22K	22000	3/4 - 7/8	14.5	24.0	1.5	3.9	14	1.12	3.5	3.5	139
SL641B-14S-30K	30000	3/4 - 1	14.5	24.0	1.5	3.9	14	1.12	3.5	3.5	139
SL641B-16S	33000	3/4 - 1	16.5	28.0	1.75	3.9	16	1.25	3.7	3.7	188

- Blocks built to 4:1 Design Factor.
- Blocks made with Bronze Bushed sheaves to SAE64 specifications.
- All accessories are forged.
- Dimensions shown represent current models and are subject to change.
- Blocks shown are standard models.
- Custom models available upon request.

See our warnings & application instructions

**SEALINK**  
Quality Rigging Products

## EXTRA HEAVY OVAL PATTERN CONSTRUCTION BLOCK DOUBLE SHEAVE



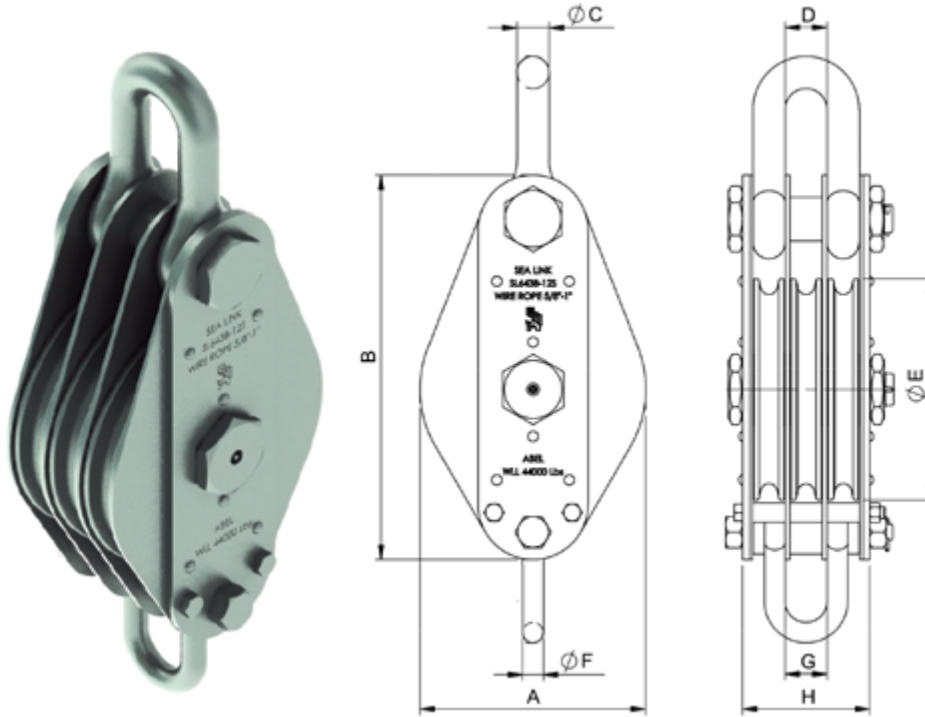
SL740B AVAILABLE DIAMOND PATTERN, UPON REQUEST.

MODEL NO.	WLL LBS	WIRE ROPE ØR	DIMENSIONS (MM)								WEIGHT (LBS)
			A	B	ØC	ØD	ØE	ØF	G	H	
SL642B-8S	27500	5/8 - 3/4	8.3	14.8	1.25	2.9	8	0.87	1.7	4.4	64
SL642B-10S	44000	5/8 - 7/8	10.3	18.1	1.75	3.9	10	1.0	1.7	5.2	114
SL642B-12S	50000	5/8 - 1	12.3	20.9	1.75	3.9	12	1.12	1.6	5.2	135
SL642B-14S	50000	3/4 - 1	14.5	24.0	1.75	3.9	14	1.25	2.3	5.7	198
SL642B-16S	55000	3/4 - 1	16.5	28.0	1.75	3.9	16	1.25	3.0	6.4	205

- Blocks built to 4:1 Design Factor.
  - Blocks made with Bronze Bushed sheaves to SAE64 specifications.
  - All accessories are forged.
  - Dimensions shown represent current models and are subject to change.
  - Blocks shown are standard models.
  - Custom models available upon request.
- See our warnings & application instructions

**SEALINK**  
Quality Rigging Products

## EXTRA HEAVY OVAL PATTERN CONSTRUCTION BLOCK TRIPLE SHEAVE



SL740B AVAILABLE DIAMOND PATTERN, UPON REQUEST.

MODEL NO.	WLL LBS	WIRE ROPE		DIMENSIONS (MM)							WEIGHT (LBS)
		ØR	A	B	ØC	D	ØE	ØF	G	H	
SL643B-8S	27500	5/8 - 3/4	8.3	14.8	1.25	2.8	8	0.87	2.0	6.5	81
SL643B-10S	44000	5/8 - 7/8	10.3	18.1	1.75	2.2	10	1.12	2.3	6.9	145
SL643B-12S	44000	5/8 - 1	12.3	20.9	1.75	2.3	12	1.12	2.3	6.9	180
SL643B-14S-66K	66000	3/4 - 1	14.5	24.0	2.0	3.1	14	1.25	2.8	8.5	275
SL643B-14S-70K	70000	3/4 - 1	14.5	24.0	2.0	3.1	14	1.5	2.8	8.5	275
SL643B-16S	70000	3/4 - 1	16.5	28.0	2.0	3.9	16	1.5	3.0	9.1	345

- Blocks built to 4:1 Design Factor.
- Blocks made with Bronze Bushed sheaves to SAE64 specifications.
- All accessories are forged.
- Dimensions shown represent current models and are subject to change.
- Blocks shown are standard models.
- Custom models available upon request.

See our warnings & application instructions