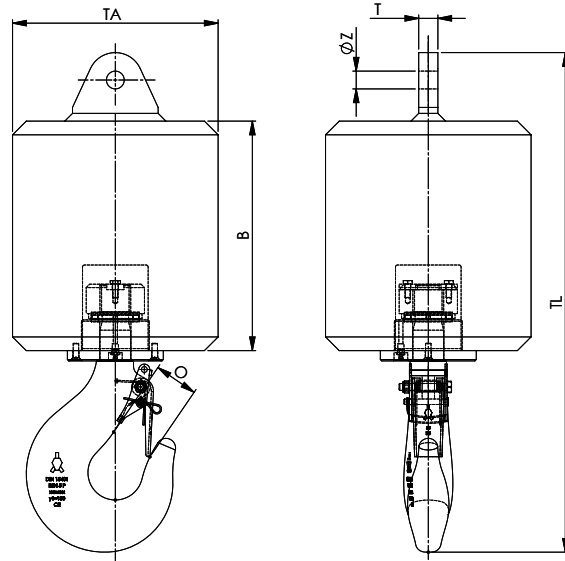


## OVERHAUL BALLS



MODEL NO.	WLL (UST)	FOR WIRE ØD INCH	HOOK SIZE	BECKET	DIMENSIONS (INCH)						WEIGHT (LBS)
					B	O	TA	TL	T	Z	
OHB 3,2.60.C-1	3.5	1/2	2.5	1	7.9	2.0	8.7	19.7	0.9	1.1	130
OHB 3,2.60.C-2	3.5	9/16 - 5/8	2.5	2	7.9	2.0	8.7	19.9	1.1	1.3	130
OHB 5.80.C-2	5.5	9/16 - 5/8	2.5	2	8.7	2.0	9.4	22.3	1.1	1.3	175
OHB 6,3.80.C-2	6.9	9/16 - 5/8	2.5	2	8.7	2.0	9.4	22.3	1.1	1.3	175
OHB 8.130.C-3	8.8	3/4	4	3	12.2	2.2	10.1	28.3	1.4	1.5	285
OHB 8.170.C-3	8.8	3/4	4	3	13.4	2.2	10.9	26.8	1.4	1.5	375
OHB 8.200.C-3	8.8	3/4	5	3	13.2	2.5	11.8	28.7	1.1	1.0	440
OHB 8.250.C-3	8.8	3/4	4	3	15.7	2.2	12.5	34.0	1.4	1.5	550
OHB 10.210.C-4	11	7/8	4	4	15.0	2.2	11.7	29.6	1.6	1.7	460
OHB 10.250.C-5	11	1	4	5	15.7	2.2	12.5	30.4	1.8	2.0	550
OHB 12.300.C	13.2	7/8 - 1	8	O.R.	14.6	3.1	13.8	34.9	1.1	1.4	660
OHB 12.328.C-4	13.2	7/8	5	4	15.8	2.5	13.8	34.6	1.6	1.7	722
OHB 12.400.C	13.2	13/16 - 1	8	O.R.	16.3	3.1	15.0	36.7	1.1	1.4	880
OHB 12,5.200.C-4	13.75	7/8	5	4	13.2	2.5	11.8	31.3	1.6	1.7	440
OHB 12,5.250.C-5	13.75	1	5	5	15.7	2.5	12.5	32.6	1.8	2.0	550
OHB 12,5.370.C-5	13.75	1	5	5	17.7	2.5	13.8	34.6	1.8	2.0	814
OHB 16.275.P-4	17.6	7/8	6	4	13.8	2.8	13.8	34.0	1.6	1.7	605
OHB 16.370.C-5	17.6	1	6	5	17.7	2.8	12.5	38.7	1.8	2.0	814
OHB 16.450.C-5	17.6	1	6	5	17.3	2.8	15.7	38.3	1.8	2.0	990
OHB 16.545.P-5	17.6	1	6	5	18.1	2.8	17.7	39.5	1.8	2.0	1200
OHB 20.575.P-6	22	1 1/8	8	6	18.5	3.1	16.0	42.3	2.0	2.3	1265
OHB 20.600.P-6	22	1 1/8	8	6	18.7	3.1	17.7	42.0	2.0	2.3	1320
OHB 20.725.P-6	22	1 1/8	8	6	24.0	3.1	17.7	47.2	2.0	2.3	1600
OHB 20.910.P-6	22	1 1/8	8	6	24.2	3.1	19.7	47.4	2.0	2.3	2000
OHB 25.725.P-7	27.5	1 1/4	8	7	20.1	3.1	18.1	42.4	2.4	2.6	1600
OHB 25.725.P-8	27.5	1 3/8	8	8	20.1	3.1	18.1	42.4	2.4	2.6	1600
OHB 25.910.P-7	27.5	1 1/4	8	7	24.0	3.1	18.1	46.4	2.4	2.6	2000
OHB 25.910.P-8	27.5	1 3/8	8	8	24.0	3.1	18.1	46.4	2.4	2.6	2000
OHB 32.365.P-8	35	1 1/8	10	6	15.7	3.5	14.6	49.6	2.6	2.6	800
OHB 32.725.P-7	35	1 1/4	10	7	23.6	3.5	17.7	45.4	2.4	2.6	1600
OHB 32.910.P-9	35	1 1/2	10	9	24.2	3.5	19.7	46.0	2.8	2.8	2000

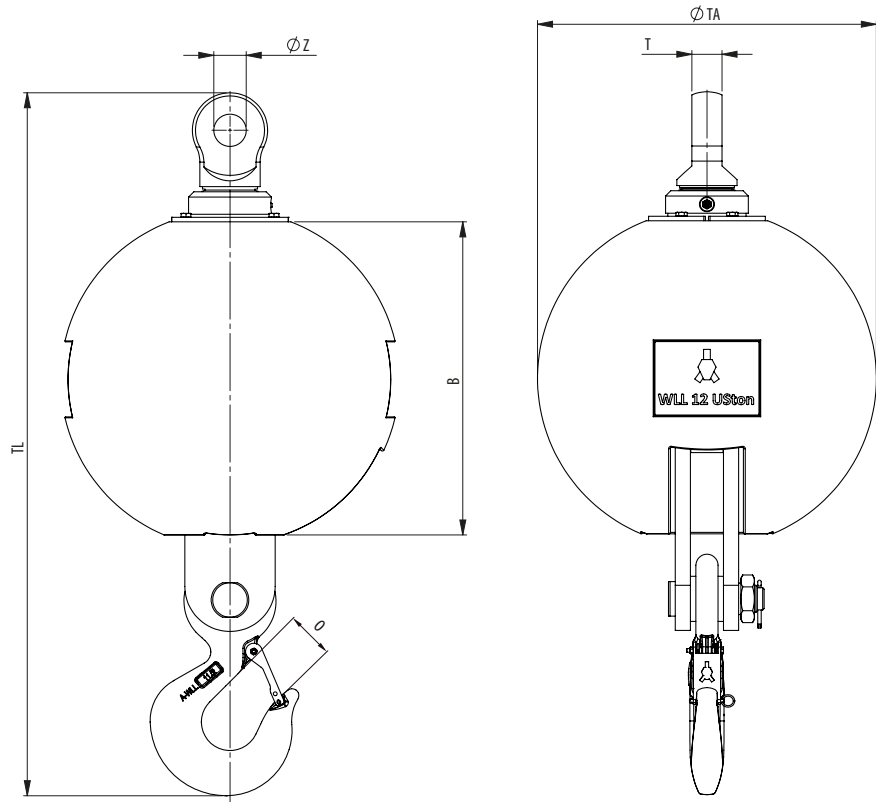
- The dimensions in this table are indicative only. A drawing will always be submitted prior to production and will be the leading document when discussing dimensions.
- Blocks shown here are standard models; inquiries for custom versions are welcome.
- Refer to wire rope manufacturers D/d ratio guideline.
- Hook locking pin included on all blocks 40M ton and higher



**ROPEBLOCK**

Minimum Ultimate Strength = 4 x WLL.

## ROUND OVERHAUL BALL



MODEL NO.	WLL (UST)	BECKET	DIMENSIONS (INCH)						WEIGHT (LBS)
			B	O	TA	TL	T	Z	
OHB-B 4,5.45-1	5	1	7 13/16	1 3/8	9 1/16	23 1/4	7/8	1 1/16	100
OHB-B 4,5.100-2	5	2	11 3/8	1 3/8	12 5/16	25 9/16	1 1/8	1 5/16	220
OHB-B 4,5.140-2	5	2	12 9/16	1 3/8	13 9/16	26 3/4	1 1/8	1 5/16	310
OHB-B 7.80-2	8	2	10	1 11/16	11	26 1/4	1 1/8	1 5/16	175
OHB-B 7.110-2	8	2	11 3/8	1 11/16	12 5/16	27 7/16	1 1/8	1 5/16	242
OHB-B 7.145-3	8	3	12 9/16	1 11/16	13 9/16	28 15/16	1 3/8	1 7/16	320
OHB-B 11.180-3	12	3	13 1/8	2 1/16	14 9/16	33 1/16	1 3/8	1 7/16	396
OHB-B 11.265-4	12	4	15 3/8	2 1/16	16 3/4	35 7/8	1 9/16	1 11/16	583
OHB-B 11.320-4	12	4	16 7/16	2 1/16	17 11/16	36 7/8	1 9/16	1 11/16	705
OHB-B 11.530-4	12	4	20	2 1/16	21 1/16	40 7/16	1 9/16	1 11/16	1165
OHB-B 18.195-5	20	5	13 1/8	3 1/16	14 9/16	38 5/16	1 3/4	2 1/16	429
OHB-B 18.330-6	20	6	16 7/16	3 1/16	17 11/16	42	1 15/16	2 5/16	726
OHB-B 18.545-6	20	6	20	3 1/16	21 1/16	45 9/16	1 15/16	2 5/16	1200

- The dimensions in this table are indicative only. A drawing will always be submitted prior to production and will be the leading document when discussing dimensions.
- Blocks shown here are standard models; inquiries for custom versions are welcome.
- Refer to wire rope manufacturers D/d ratio guideline.



**ROPEBLOCK**

Minimum Ultimate Strength = 4 x WLL.