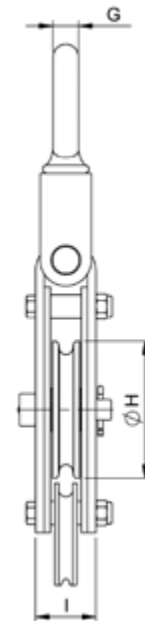
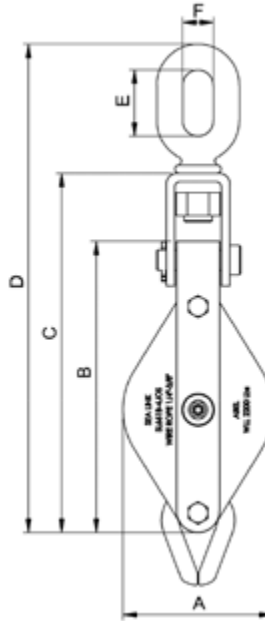


REGULAR WIRE ROPE BLOCK SINGLE SHEAVE



OBLONG SWIVEL EYE (JOS)



DRILLED SWIVEL EYE AND SHACKLE (JDS)



JAW SWIVEL HOOK (JSH)



SHACKLE (S)

MODEL NO.	WLL TN	WIRE ROPE ØR	DIMENSIONS (MM)									WEIGHT (LBS)		
			A	B	C	D	E	ØF	G	ØH	I	JOS	JDS	JSH
												OBLONG S. EYE	DRILLED S. EYE & SHACKLE	JAW S. HOOK
SL661B-4	3300	1/4 - 3/8	4.3	8.5	10.6	15.0	2.4	1.1	0.75	4	1.8	9	9	9
SL661B-6	4400	1/4 - 1/2	6.3	12.6	14.6	20.5	2.6	1.3	0.87	6	2.2	17	17	17
SL661B-8	5500	3/8 - 5/8	8.3	15.7	18.5	23.6	3.0	1.4	1.0	8	2.6	25	25	25
SL661B-10	6600	1/2 - 3/4	10.2	19.3	22.4	28.5	3.2	1.5	1.12	10	3.0	53	53	53
SL661B-12	8800	5/8 - 3/4	12.4	23.2	26.4	32.5	3.2	1.5	1.26	12	3.0	66	66	66

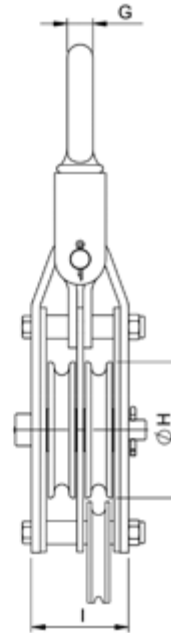
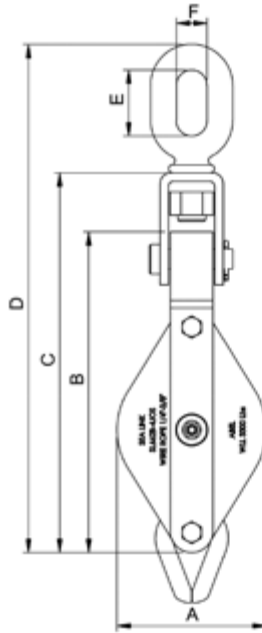
- Blocks built to 4:1 Design Factor.
- Blocks made with Bronze Bushed sheaves to SAE64 specifications.
- All accessories are forged.
- Dimensions shown represent current models and are subject to change.
- Blocks shown are standard models.
- Custom models available upon request.

See our warnings & application instructions

REGULAR WIRE ROPE BLOCK DOUBLE SHEAVE



OBLONG SWIVEL EYE (JOS)



DRILLED SWIVEL EYE AND SHACKLE (JDS)



JAW SWIVEL HOOK (JSH)



SHACKLE (S)

MODEL NO.	WLL TN	WIRE ROPE ØR	DIMENSIONS (MM)									WEIGHT (LBS)		
			A	B	C	D	E	F	G	ØH	I	JOS	JDS	JSH
												OBLONG S. EYE	DRILLED S. EYE & SHACKLE	JAW S. HOOK
SL662B-4	3300	1/4 - 3/8	4.3	8.5	10.6	15.0	2.4	1.1	0.75	4	2.8	12	12	12
SL662B-6	5500	1/4 - 1/2	6.3	12.6	14.6	20.5	2.6	1.3	0.87	6	3.6	25	25	25
SL662B-8	7700	3/8 - 5/8	8.3	15.7	18.5	23.6	3.0	1.4	1.0	8	4.3	44	44	44
SL662B-10	9900	1/2 - 3/4	10.2	19.7	22.4	28.5	3.2	1.5	1.12	10	5.0	80	80	80
SL662B-12	12100	5/8 - 3/4	12.4	23.6	26.4	32.5	3.2	1.5	1.26	12	5.0	101	101	101

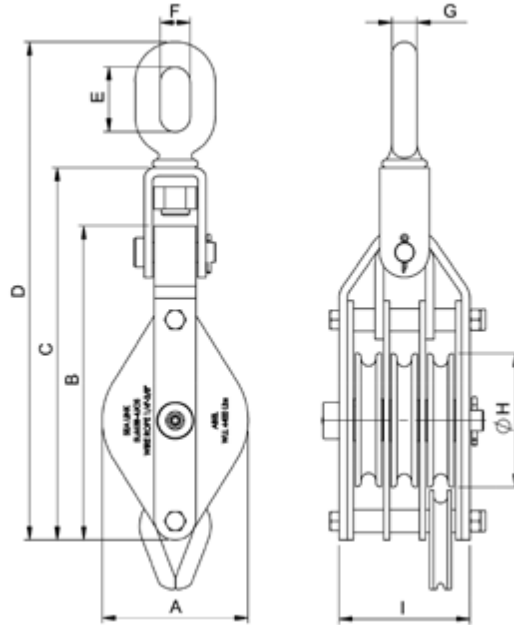
- Blocks built to 4:1 Design Factor.
- Blocks made with Bronze Bushed sheaves to SAE64 specifications.
- All accessories are forged.
- Dimensions shown represent current models and are subject to change.
- Blocks shown are standard models.
- Custom models available upon request.

See our warnings & application instructions

REGULAR WIRE ROPE BLOCK TRIPLE SHEAVE



OBLONG SWIVEL EYE (JOS)



DRILLED SWIVEL EYE
AND SHACKLE (JDS)



JAW SWIVEL
HOOK (JSH)



SHACKLE (S)

MODEL NO.	WLL TN	WIRE ROPE ØR	DIMENSIONS (MM)								WEIGHT (LBS)			
			A	B	C	D	E	F	G	ØH	I	JOS	JDS	JSH
												OBLONG S. EYE	DRILLED S. EYE & SHACKLE	JAW S. HOOK
SL663B-4	4400	1/4 - 3/8	4.3	9.4	10.6	15.0	2.4	1.1	0.75	4	3.9	15	15	15
SL663B-6	6600	1/4 - 1/2	6.3	12.6	14.6	20.5	2.6	1.3	0.87	6	5.1	33	33	33
SL663B-8	9900	3/8 - 5/8	8.3	15.7	18.5	23.6	3.0	1.4	1.0	8	6.1	57	57	57
SL663B-10	13200	1/2 - 3/4	10.2	19.7	22.4	28.5	3.2	1.5	1.12	10	7.0	106	106	106
SL663B-12	15400	5/8 - 3/4	12.4	23.6	26.4	32.5	3.2	1.5	1.26	12	7.0	134	134	134

- Blocks built to 4:1 Design Factor.
 - Blocks made with Bronze Bushed sheaves to SAE64 specifications.
 - All accessories are forged.
 - Dimensions shown represent current models and are subject to change.
 - Blocks shown are standard models.
 - Custom models available upon request.
- See our warnings & application instructions