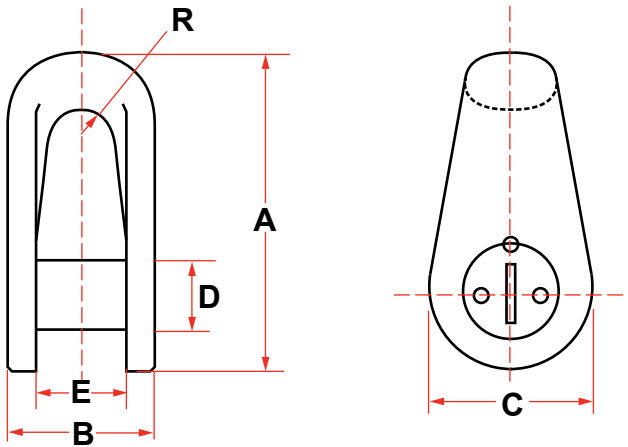


SEA-LINK MOORING SHACKLES

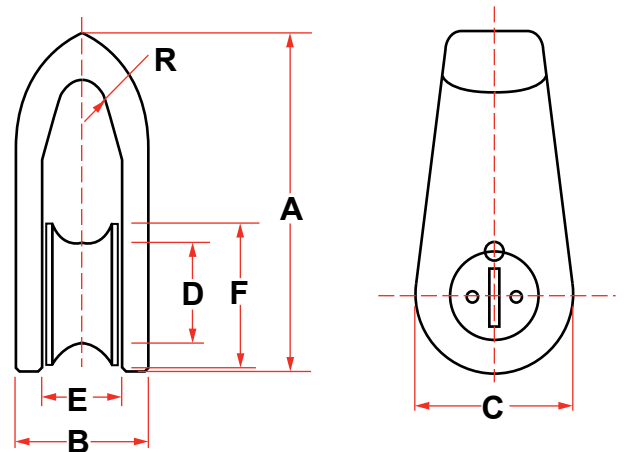
TONSBERG TYPE (PIN STYLE)



MODEL	90T	120T	180T
Forerunner Circ. (inches)	7-9	9-11	11-15
A (mm)	285	324	350
B (mm)	115	142	184
C (mm)	136	150	160
D (mm)	65	75	85
E (mm)	75	90	120
R (mm)	22	28	30
Breaking Load (M. Tons)	90	120	180
Proof Load (M. Tons)	55	70	95
Safe Working Load (M. Tons)	30	40	60
Weight	11.2 KG (25 Lbs)	16.9 KG (37 Lbs)	25 KG (55 Lbs)

MANDAL TYPE (ROLLER STYLE)

MODEL	90M	120M
Forerunner Circ. (inches)	6-9	9-11
A (mm)	255	310
B (mm)	97	121
C (mm)	120	130
D (mm)	65	82
E (mm)	67	90
F (mm)	100	128
R (mm)	34	45
Breaking Load (M. Tons)	90	120
Proof Load (M. Tons)	55	70
Safe Working Load (M. Tons)	30	40
Weight	7.8 KG (17.2 Lbs)	13.3 KG (29 Lbs)



**FACTORY CERTIFICATES INCLUDED
WITH EVERY "SEA-LINK" MOORING
SHACKLE**