

DECK FITTINGS

THESE ARE ONLY A SAMPLE OF SOME TYPES AVAILABLE.
MANY OTHERS IN STOCK.

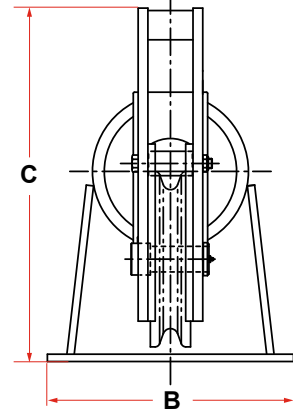
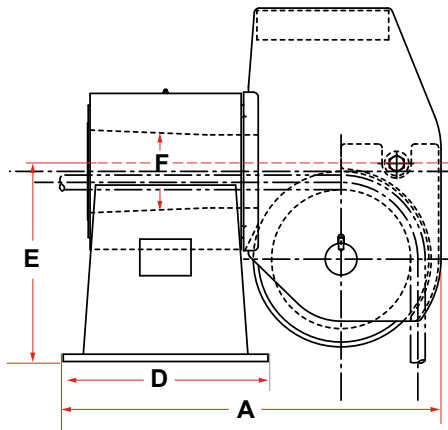
LET US KNOW YOUR REQUIREMENTS!
STOCKS IN THE WEST COAST AND THE GULF.



DECK-MOUNTED BALANCED HEAD FAIRLEADERS



600 SERIES



MODEL NO.	MAX WIRE SIZE	WIRE BREAKING STRENGTH (LBS)	SHEAVE THREAD DIA.	DIMENSIONS (INCHES)						WEIGHT (LBS)
				A	B	C	D	E	F	
MD-610	3/4	58800	8-1/4	23-11/16	16	20-1/8	14-3/4	11	4-1/2	270
MD-612	1	103400	9-3/4	28-3/16	19-1/4	24-5/8	17-3/4	13-1/2	5-5/8	495
MD-614	1-1/4	159800	11-1/4	30-9/16	20	28-1/8	18-1/2	15-1/2	6-5/16	670
MD-618	1-1/2	228000	14-1/4	38-1/8	25-1/4	36-1/4	21	19-1/2	8-1/2	1450
MD-622	1-3/4	266000	18-1/2	45-1/8	28-1/2	45-1/2	22	23-1/2	9-1/2	2100
MD-624	2	344000	20	50-1/8	30	44-13/16	27	25-1/2	12	2650
MD-630	2-1/4	494000	24-7/8	56-7/8	40-1/4	60-3/4	27-1/2	31-1/2	13	4800
MD-636	2-1/2	524000	30	63	40	70-1/4	27-1/2	36-1/4	14-1/2	6000
MD-652	3	818000	44	103-1/2	52-3/8	104	44	34-1/2	26-1/2	16500
MD-665	3	818000	55-1/2	115-5/8	52-3/8	117-1/2	44	34-1/2	26-1/2	18800

STANDARD FEATURES

- Designed for Breaking Strength of EIPS-IWRC Wire Rope with 90° Wrap on the Sheave and 180° Rotation of Swivelhead
- Cast Steel Sheave with Hardened Rope Groove for Longer Life
- Sealed Grease Lubricated Tapered Roller Bearings in Sheave and Swivelhead
- Weld Down Mounting Base
- Removable Guide Roller
- Epoxy Primer Coating

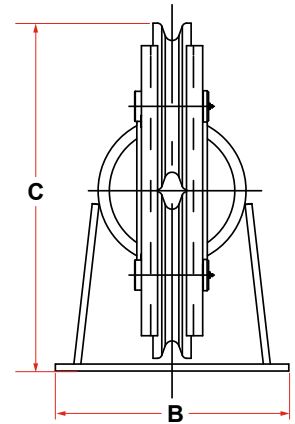
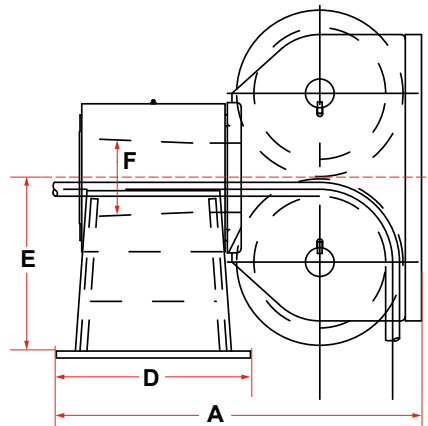
OPTIONAL FEATURES

- Customized Design to Suit Your Application
- Tail Sheaves / Tail Rollers
- Stainless Steel or Nylon Sheaves
- Bolt Down Mounting Base
- Load Monitoring System
- Three Coat Marine Paint System
- Third Party Certification

DECK-MOUNTED DOUBLE SHEAVE FAIRLEADERS



2600 SERIES



MODEL NO.	MAX WIRE SIZE	WIRE BREAKING STRENGTH (LBS)	SHEAVE THREAD DIA.	DIMENSIONS (INCHES)						WEIGHT (LBS)
				A	B	C	D	E	F	
MD-2610	3/4	58800	8-1/4	24-11/16	16	22	14-3/4	11	4-1/2	280
MD-2612	1	103400	9-3/4	29-13/16	19-1/4	25	17-3/4	13-1/2	5-5/8	520
MD-2614	1-1/4	159800	11-1/4	31-9/16	20	29	18-1/2	15-1/2	6-5/16	700
MD-2618	1-1/2	228000	14-1/4	39-1/8	25-1/4	37-5/8	21	19-1/2	8-1/2	1500
MD-2622	1-3/4	266000	18-1/2	46-1/8	28-1/2	48	22	23-1/2	9-1/2	2200
MD-2624	2	344000	20	51-1/8	30	49-5/8	27	25-1/2	12	2800
MD-2630	2-1/4	494000	24-7/8	57-7/8	40-1/4	61-5/8	27-1/2	31-1/2	13	5020
MD-2636	2-1/2	524000	30	64	40	72-5/8	27-1/2	36-1/4	14-1/2	6270
MD-2652	3	818000	44	104	52-3/8	105-5/8	44	34-1/2	26-1/2	17200
MD-2665	3	818000	55-1/2	117	52-3/8	130-5/8	44	34-1/2	26-1/2	19650

STANDARD FEATURES

- Designed for Breaking Strength of EIPS-IWRC Wire Rope with 90° Wrap on the Sheave and 180° Rotation of Swivelhead
- Cast Steel Sheaves with Hardened Rope Grooves for Longer Life
- Sealed Grease Lubricated Tapered Roller Bearings in Sheaves and Swivelhead
- Weld Down Mounting Base
- Removable Guide Roller
- Epoxy Primer Coating

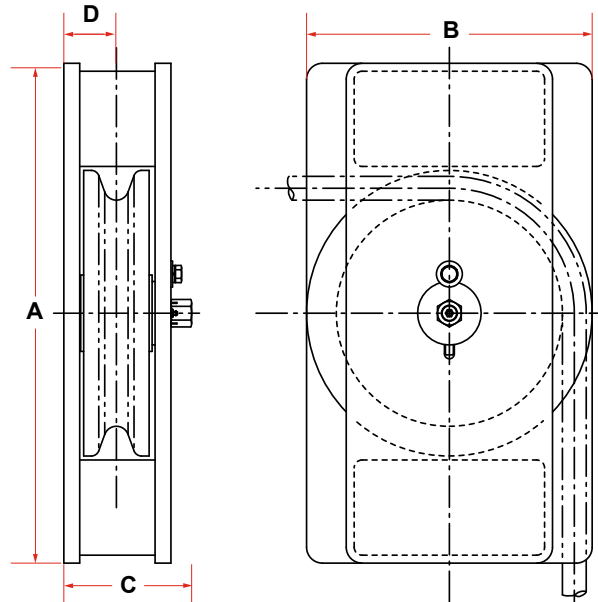
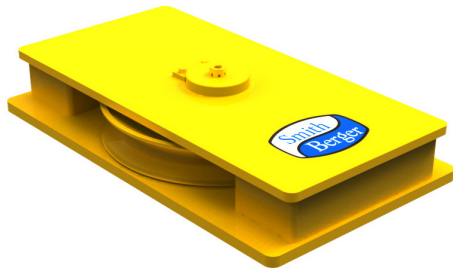
OPTIONAL FEATURES

- Customized Design to Suit Your Application
- Tail Sheaves / Tail Rollers
- Stainless Steel or Nylon Sheaves
- Bolt Down Mounting Base
- Load Monitoring System
- Three Coat Marine Paint System
- Third Party Certification

HORIZONTAL GUIDE SHEAVES



1200 SERIES



MODEL NO.	MAX WIRE SIZE	WIRE BREAKING STRENGTH (LBS)	SHEVE THREAD DIA.	DIMENSIONS (INCHES)				WEIGHT (LBS)
				A	B	C	D	
MD-1210	3/4	58800	8-1/2	17	11	5-1/2	2-3/16	85
MD-1212	1	89800	10	19	12	6-1/2	2-3/4	150
MD-1214	1-1/4	159800	11-7/16	21	14	7	2-3/4	200
MD-1218	1-1/2	228000	14-1/4	31-1/2	18	8	3-5/16	450
MD-1222	1-3/4	266000	18-1/2	41	22	8-1/2	3-1/2	880
MD-1224	2	344000	20	43	25	8-1/2	3-5/8	975
MD-1230	2-1/4	494000	24-7/8	45	30-5/8	11-1/2	4-1/8	1500
MD-1236	2-1/2	524000	30	55	37	13	5-3/4	2800
MD-1252	3	818000	44	83-1/2	53	14	6-1/4	6000
MD-1268	3-1/4	1223775	59-1/16	100	70	17	7	8000

STANDARD FEATURES

- Designed for Breaking Strength of EIPS-IWRC Wire Rope with 90° Wrap on the Sheave
- Cast Steel Sheave with Hardened Rope Groove for Longer Life
- Sealed Grease Lubricated Bronze Bearings in Sheave
- Weld Down Mounting Base
- Epoxy Primer Coating

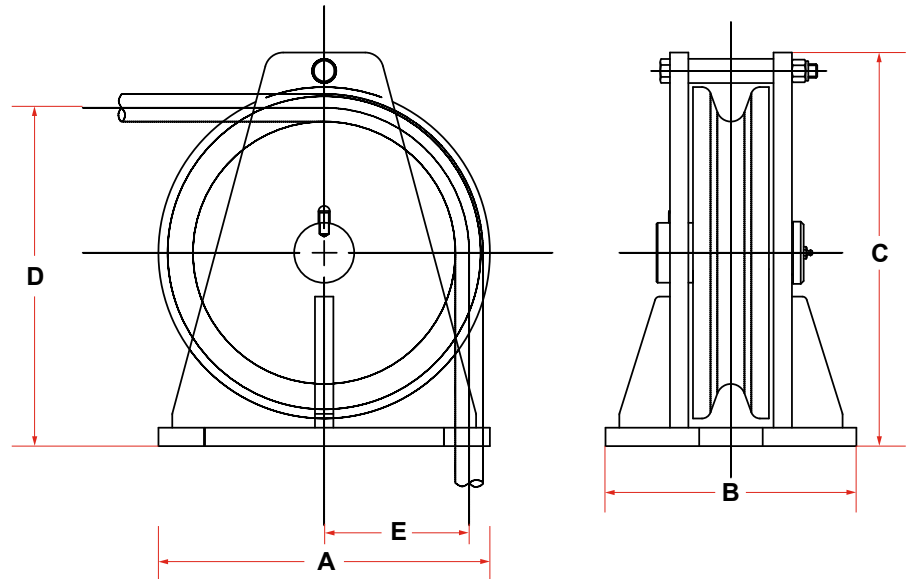
OPTIONAL FEATURES

- Customized Design to Suit Your Application
- Multiple Sheaves
- Stainless Steel or Nylon Sheaves
- Bolt Down Mounting Base
- Load Monitoring System
- Three Coat Marine Paint System
- Third Party Certification

VERTICAL GUIDE SHEAVES



1100 SERIES



MODEL NO.	MAX WIRE SIZE	WIRE BREAKING STRENGTH (LBS)	SHEVE THREAD DIA.	DIMENSIONS (INCHES)					WEIGHT (LBS)
				A	B	C	D	E	
MD-1110	3/4	58800	8-1/4	11	9	20-1/8	10-1/4	4-1/2	65
MD-1112	1	103400	9-3/4	13	11-1/2	14-3/4	12-1/4	5-3/8	105
MD-1114	1-1/4	159800	11-1/4	16	12	17-1/2	14-1/2	6-1/4	185
MD-1118	1-1/2	228000	14-1/4	18	13-5/8	21-3/8	18-3/8	7-7/8	340
MD-1122	1-3/4	266000	18-1/2	22	16	26	22-7/8	10-1/8	550
MD-1124	2	344000	20	24	18	29	25-1/4	11	625
MD-1130	2-1/4	494000	24-7/8	30	23	35-3/8	31-1/16	30-15/16	1250
MD-1136	2-1/2	524000	30	36	27	43-1/2	37-3/4	16-1/4	3100
MD-1152	3	818000	44	52	39	60	53	23-1/2	4900
MD-1168	3-1/4	1223775	59-1/16	78-1/16	46	73-5/8	70-3/8	31-1/16	6020

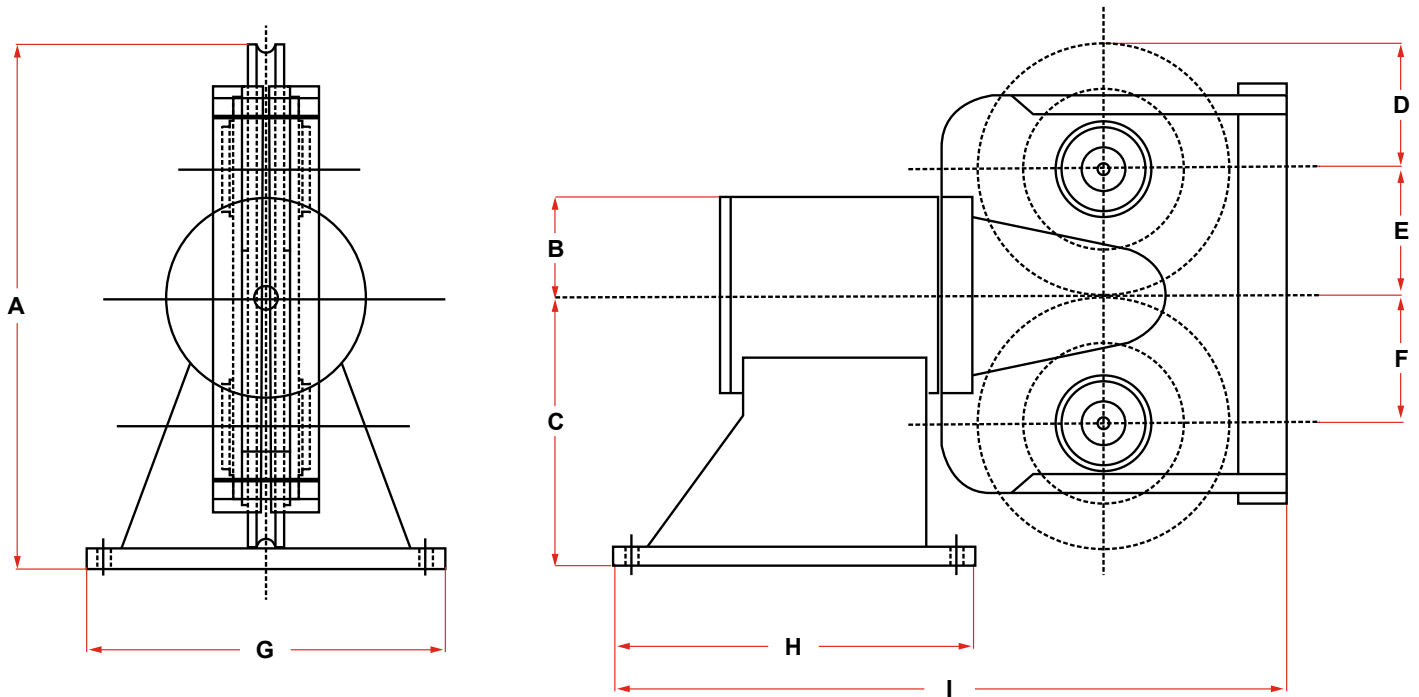
STANDARD FEATURES

- Designed for Breaking Strength of EIPS-IWRC Wire Rope with 90° Wrap on the Sheave
- Cast Steel Sheave with Hardened Rope Groove for Longer Life
- Sealed Grease Lubricated Tapered Roller Bearings in Sheave
- Weld Down Mounting Base
- Removable Guide Roller
- Epoxy Primer Coating

OPTIONAL FEATURES

- Customized Design to Suit Your Application
- Multiple Sheaves
- Stainless Steel or Nylon Sheaves
- Bolt Down Mounting Base
- Load Monitoring System
- Three Coat Marine Paint System
- Third Party Certification

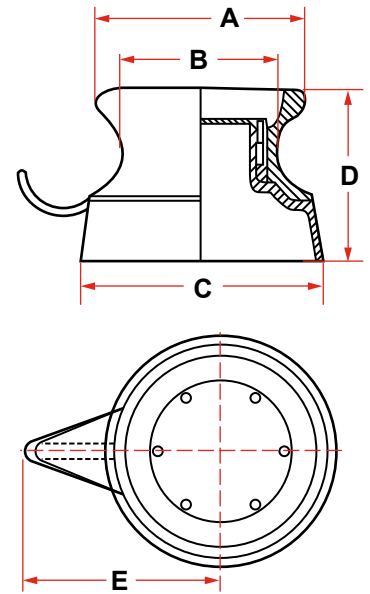
IMPORTED DOUBLE SHEAVE BALANCED HEAD FAIRLEAD



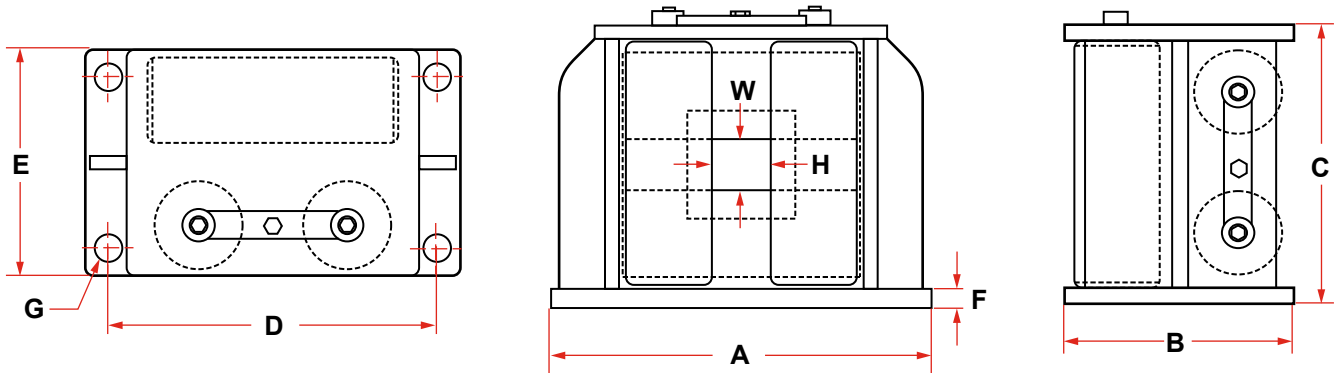
SIZE (IN)	DIMENSIONS (MM)									WEIGHT (KG)
	A	B	C	D	E	F	G	H	I	
1	531	100	275	127	129	129	365	365	679	195
1-1/4	667	127	365	150	152.5	152.5	660	508	920	495
1-1/2	867	178	459	205	205	205	760	760	1,280	1,080

PEDESTAL FAIRLEADERS

MODEL NO.	MAX WIRE SIZE	WIRE BREAKING STRENGTH (LBS)	DIMENSIONS (INCHES)					WEIGHT (LBS)
			A	B	C	D	E	
PFH-10	3/4	58800	14	10	18	16	15	300
PFH-12	1	103400	16	12	20	16	16	350
PFH-14	1-3/8	192000	19	14	23	16-3/4	19-5/16	480
PFH-16	1-3/8	192000	20-1/2	16	24	18-1/4	19-13/16	600
PFH-18	1-1/2	288000	24	18	28	19	21	890
PFH-24	2	396000	30	24	36	27	24-1/2	1700



ROLLER FAIRLEADERS

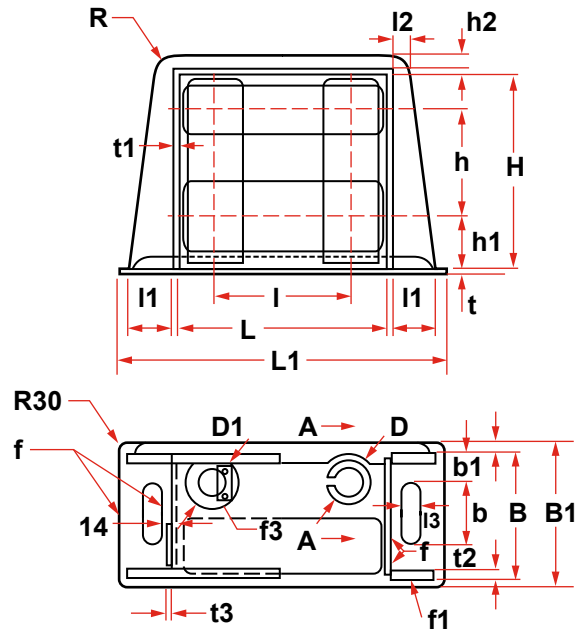


MODEL NO.	DIMENSIONS (INCHES)											NO. BOLT HOLES	LBS.	
	WIRE ROPER SIZE	VERTICAL ROLLER	HORIZONTAL ROLLER	OPENING W X H	A	B	C	D	E	F	G			ROLLER PIN
RF-0	5/16 to 3/8	2.25 x 6.50	2.25 x 6.50	2.25 x 2.25	12.000	5.250	8.188	10.250	3.875	0.500	25/32	1.000	4	52
RF-1	1/2 to 7/8	4 x 11.375	4 x 11.375	2.75 x 2.75	17.500	10.500	13.125	15.000	8.000	0.750	1.063	1.375	4	235
RF-2	1 to 1-1/4	6 x 15.375	5.00 x 11.00	5.00 x 4.00	26.000	17.000	18.500	22.000	12.500	1.125	1.531	1.500	4	700
RF-3	1-3/4	8.00 x 22.50	8 x 22.50	6.5 x 6.5	36.750	23.000	27.125	31.000	8.000	1.500	1.813	3.000	6	2400

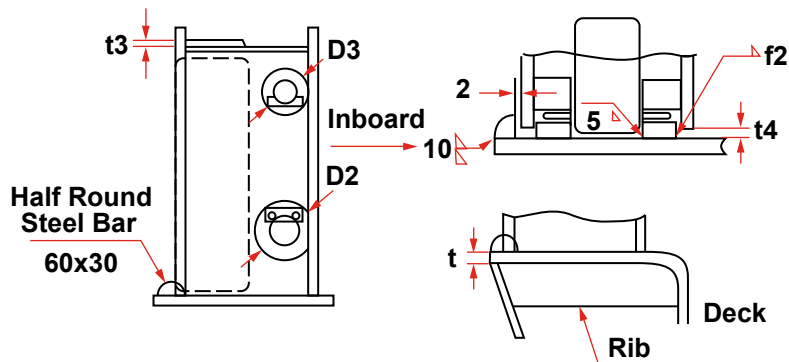
MODEL NO.	DIMENSIONS (MM)											NO. BOLT HOLES	KGS	
	WIRE ROPER SIZE	VERTICAL ROLLER	HORIZONTAL ROLLER	OPENING W X H	A	B	C	D	E	F	G			ROLLER PIN
RF-0	8 to 10	57 x 165	57 x 165	57 x 57	305	133	208	260	98	13	20	25	4	24
RF-1	12 to 22	102 x 289	102 x 289	70 x 70	444	267	333	381	203	19	27	35	4	107
RF-2	25 to 32	152 x 391	127 x 279	127 x 102	660	432	470	559	318	29	39	38	4	318
RF-3	44	203 x 572	203 x 572	165 x 165	933	584	689	787	203	38	46	76	6	1089

Larger sizes available upon request.

4-ROLLER FAIRLEAD IMPORT (JIS F-2026)



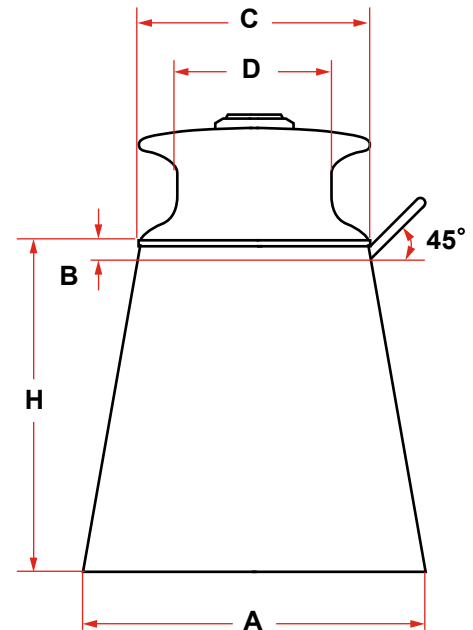
NOMINAL DIA.	FRAME																		SWL (TON)
	B	B1	B	B1	B2	D	D1	D2	D3	H	H	H1	H2	L	L1	I	I1	I2	
140	310	355	150	69	20	90	140	120	80	480	275	130	40	515	805	335	120	60	12
160	360	405	175	82	22	110	160	140	90	515	290	145	45	570	890	365	135	65	14
180	410	455	200	95	24	135	180	150	100	560	315	155	50	625	950	390	145	70	16
200	460	505	225	108	26	160	200	150	110	590	330	170	60	675	1049	420	160	80	25
250	565	510	280	133	30	200	250	200	130	715	415	195	75	820	1303	520	210	105	38
315	670	715	330	159	34	240	300	200	150	870	520	220	90	980	1562	520	260	130	45



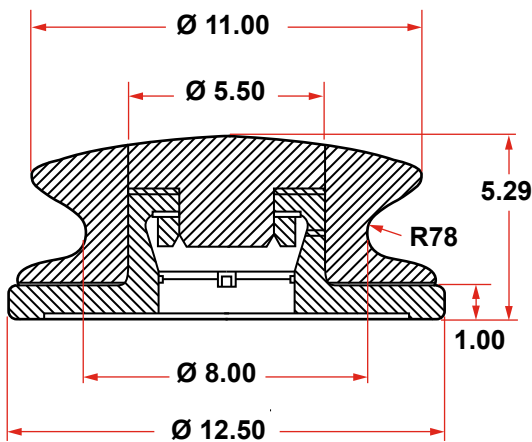
NOMINAL DIA.	FRAME							LEG OF WELD					WIRE ROPE DIA.	OPENING DIA. LONG X WIDE	REFERENCE MASS (KG)
	I3	I4	R	T	T1	T2	T3	F	F1	F2	F3	F4			
140	50	20	40	12	10	16	6	20	9	6	12	4	18	145 x 195	187
160	50	20	45	14	10	18	9	22	9	7	12	6	22.4	150 x 220	277
180	50	20	50	16	10	20	10	24	9	9	12	8	25	150 x 199	387
200	50	20	60	18	12	22	10	26	10	10	14	8	28	152 x 204	510
250	50	25	75	20	14	26	12	30	10	12	14	10	35.5	199 x 253	900
315	50	25	90	22	16	30	14	34	12	14	16	10	42.5	253 x 302	1232

PEDESTAL ROLLER FAIRLEADS - TYPE EU

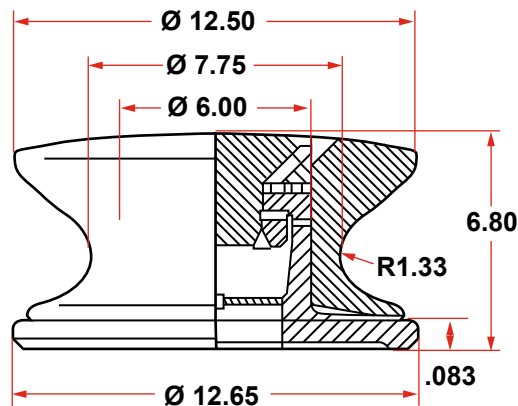
HEIGHT : H	800	1000	1200	1400			WALL THICKNESS
ROLLER DIA : D	A	A	A	A	B	C	
300	715	800	900	1000	25	440	12
350	800	825	950	1120	30	500	12
400	1000	1020	1020	1150	35	560	16
450	1020	1022	1120	1180	35	630	16
500	1020	1120	1180	1250	40	710	16
560	1120	1180	1250	1380	40	800	16



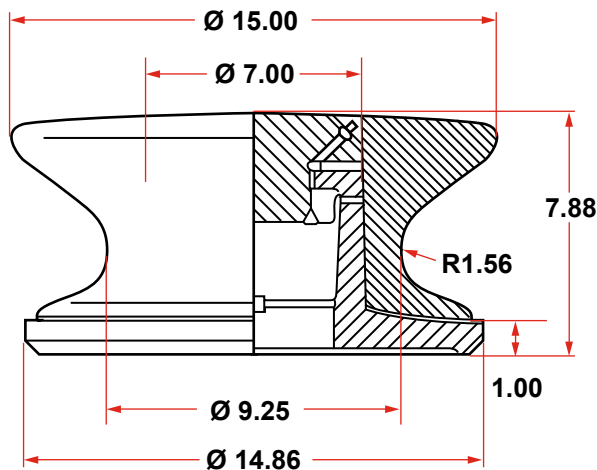
OTHER MODELS ROLLER BUTTONS



MODEL 50



MODEL 75

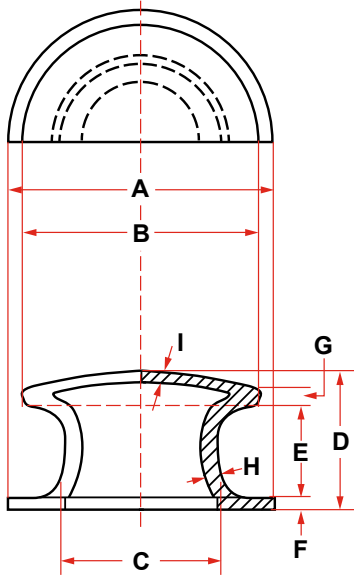


MODEL 100

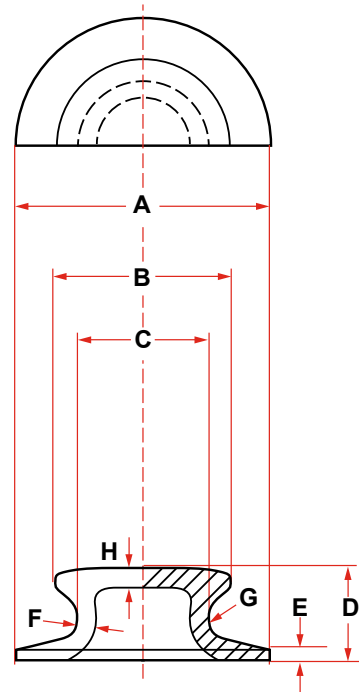
ROLLER BUTTONS FREE ROLLING

These are the finest high-loaded carrying, free-rolling roller buttons that have ever been designed, and are manufactured in sizes to suit the needs of boats, seagoing tugs and ships. Precision machined parts have working parts coated with an extremely hard coating - 70 Rockwell C-Scale - which is corrosion resistant. The buttons will not freeze up as most do, because they are closed at the top. The air pocket formed on the inside, makes it practically impossible for water to enter the working parts. Before shipment, the roller buttons are completely lubricated and should need only occasional attention after installation and use.

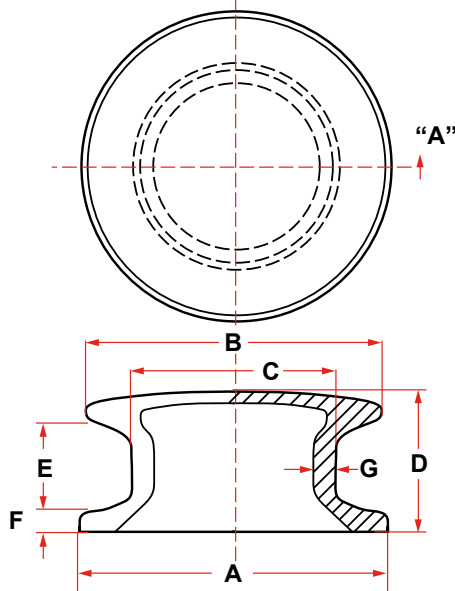
CAST STEEL BUTTON CHOCKS



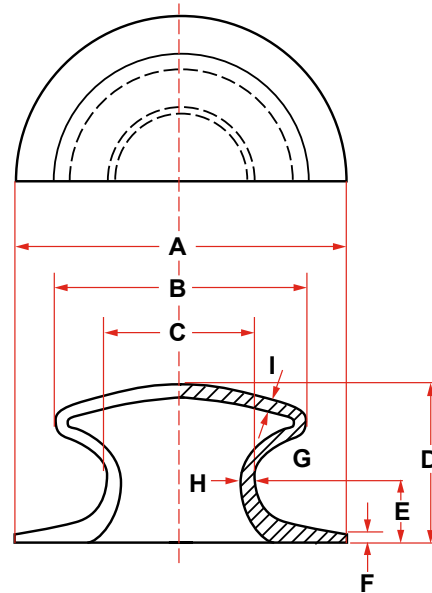
DIMENSIONS (INCHES)										WEIGHT (LBS)
SIZE	A	B	C	D	E	F	G	H	I	
10	17	15	10	8-1/2	5-3/4	5/8	1-1/8	1	1/2	138



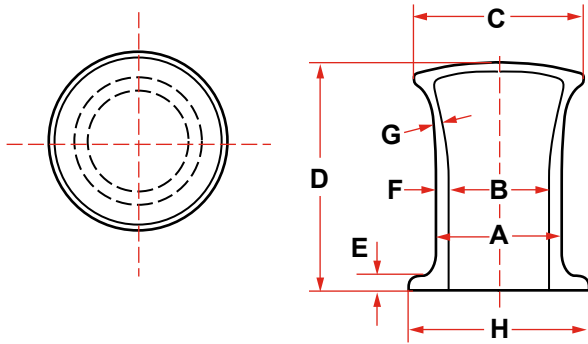
DIMENSIONS (INCHES)									WEIGHT (LBS)
SIZE	A	B	C	D	E	F	G	H	
6	12	8-1/2	6	4-1/8	1/2	3/4	1-1/2	3/4	38



DIMENSIONS (INCHES)									WEIGHT (LBS)
SIZE	A	B	C	D	E	F	G		
8	13	12-1/2	8-5/8	5-1/4	3-11/16	3/4	7/8	75	

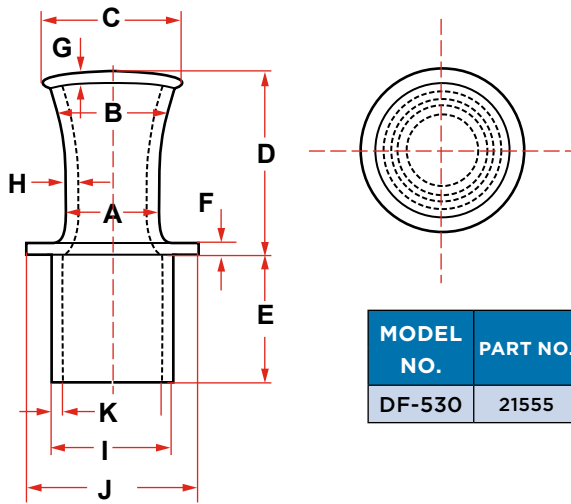


DIMENSIONS (INCHES)										WEIGHT (LBS)
SIZE	A	B	C	D	E	F	G	H	I	
9	20	15-1/2	9	9-1/2	3-1/2	5/8	2-1/2	3/4	1/2	158



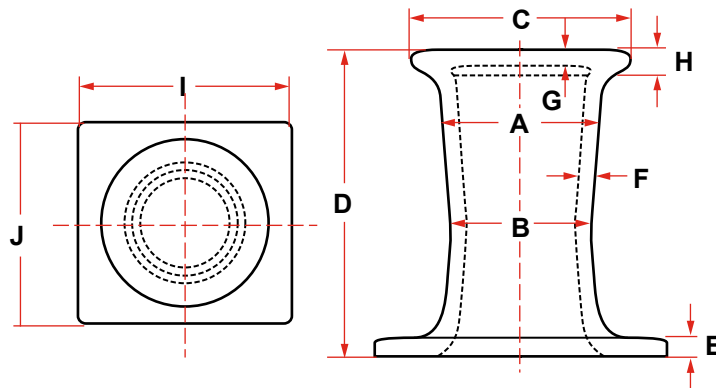
CAST STEEL SINGLE BITT

MODEL NO.	PART NO.	SIZE	DIMENSIONS (INCHES)								WEIGHT (LBS)
			A	B	C	D	E	F	G	H	
DF-SB10	20230	10	10	8	13-1/2	18	1	1	3/4	14	190



CAST STEEL SINGLE BITT THRU DECK

MODEL NO.	PART NO.	SIZE	DIMENSIONS (INCHES)											WEIGHT (LBS)
			A	B	C	D	E	F	G	H	I	J	K	
DF-530	21555	8	8	10-1/2	12	16	11	1	1	1	10-1/4	14	3/4	260

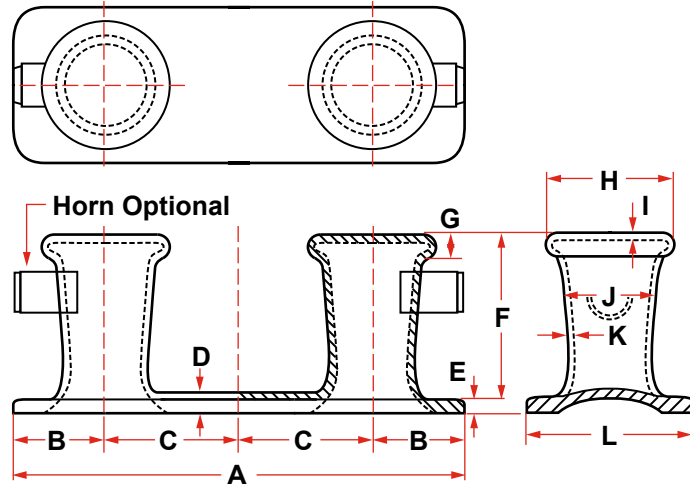


CAST STEEL SINGLE BITT

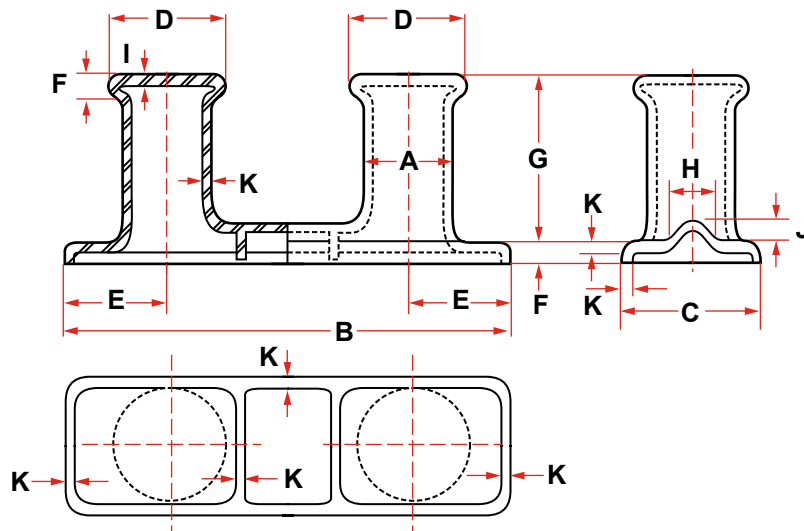
MODEL NO.	PART NO.	SIZE	DIMENSIONS (INCHES)										WEIGHT (LBS)
			A	B	C	D	E	F	G	H	I	J	
DF-588	87971	8	8	7	11	14-3/4	1-1/4	1	3/4	1-1/2	14	14	160

CAST STEEL DOUBLE BITTS

LARGER SIZES
AND TYPES
AVAILABLE
UPON REQUEST

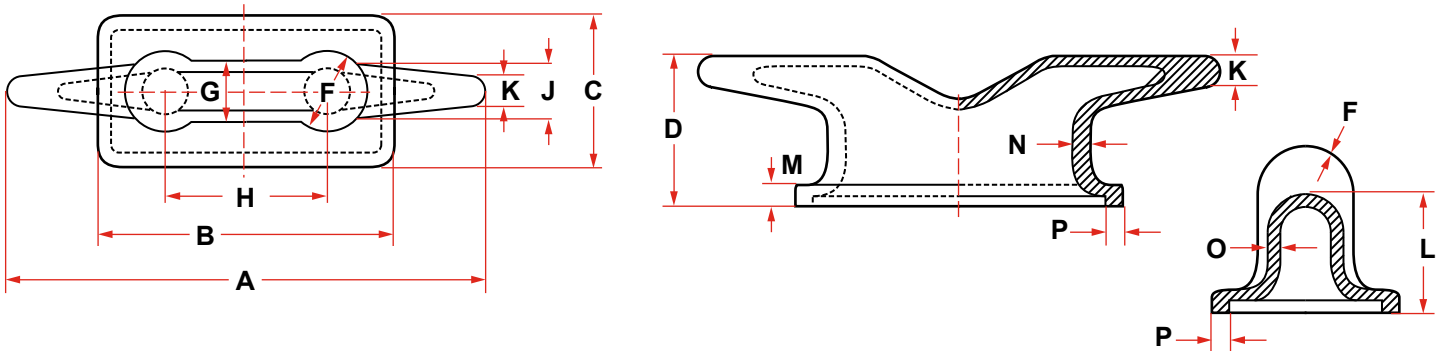


MODEL NO.	SIZE	DIMENSIONS (INCHES)												WEIGHT (LBS)
		A	B	C	D	E	F	G	H	I	J	K	L	
DF-2	8	40	8	12	2	1-1/4	16	2	11	5/8	7	5/8	14	320
DF-2A	w/ Horn													330
DF-40	10	45	9	13-1/2	2-1/4	1-1/4	18	2	13-1/2	3/4	9	1-1/4	15	545
DF-40A	w/ Horn													560



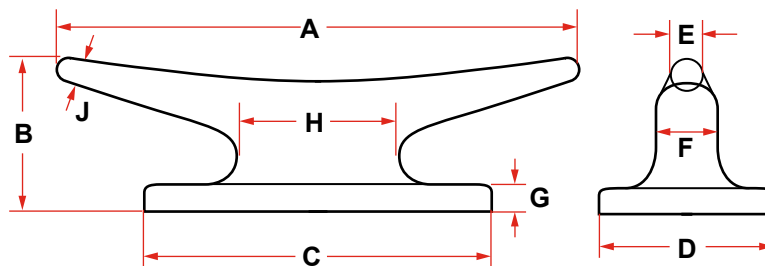
MODEL NO.	SIZE	DIMENSIONS (INCHES)											WEIGHT (LBS)
		A	B	C	D	E	F	G	H	I	J	K	
DF-491	12	12	60	18	15	13-1/2	3	22-1/2	6	1	2	1-1/4	990
DF-498	14	14	66	21	17-1/2	13	3-1/2	26-1/4	7	1	2	1-1/2	1350

STANDARD MARINE CLEATS



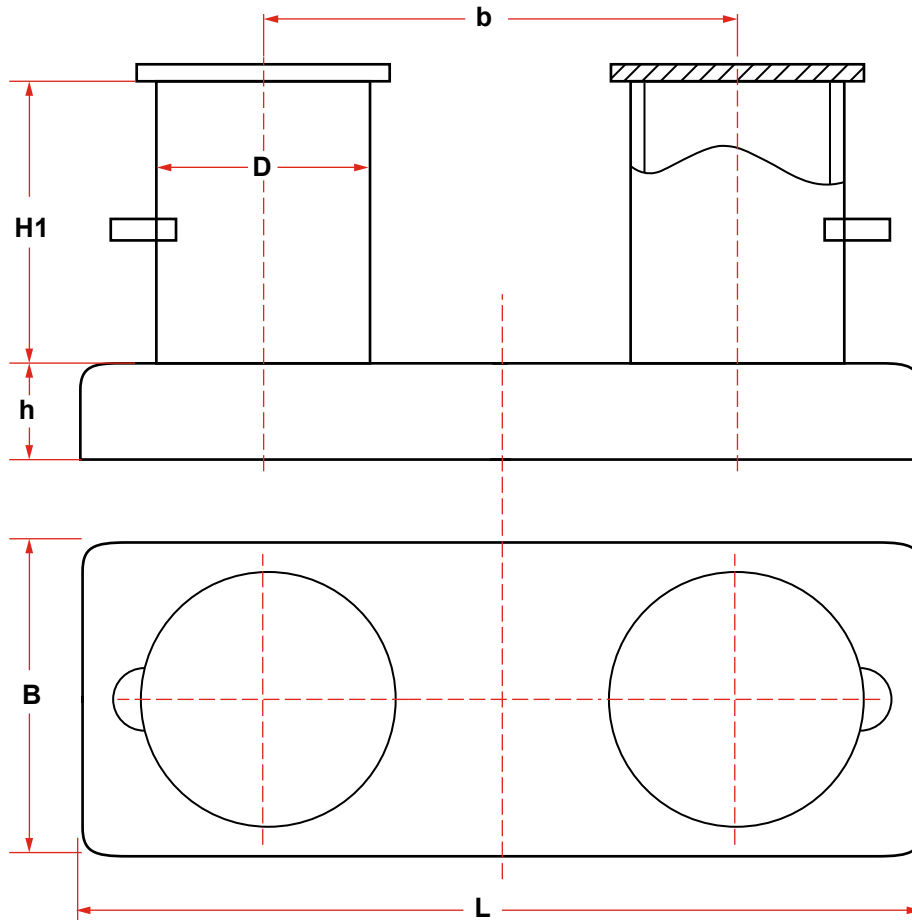
DIMENSIONS (INCHES)														PATTERN NO.	WEIGHT (LBS)
A	B	C	D	F	G	H	J	K	L	M	N	O	P		
8	6	4-1/2	3	1-1/2	1-1/4	3	1-1/4	1/2	2	1/2	5/8	1/2	1/2	17002	12
10	6-3/4	5	3-1/4	1-3/4	1-3/8	3-1/2	1-3/8	5/8	2-1/4	1/2	5/8	1/2	1/2	17190	14
12	7-1/2	5-1/2	3-1/2	2	1-1/2	4-1/2	1-1/2	3/4	2-1/2	5/8	5/8	1/2	5/8	17295	16
16	10-1/2	7-1/8	5	2-1/2	2	5-1/4	2	7/8	3-1/2	1	7/8	9/16	5/8	17300	32
20	13	6-1/4	6	3-1/2	2-1/2	6-1/2	2-1/4	1-1/8	4-1/2	1-1/8	1	5/8	3/4	4740	48
24	15-1/2	9-1/2	7-1/4	4	3	8	3	1-3/8	5-1/4	1-1/4	1-1/8	11/16	7/8	5353	65
30	19	11-1/4	8	5	3-1/2	10	3-1/2	1-3/4	6-1/2	1-3/8	1-1/4	3/4	1	4732	120
36	22-1/2	12-1/4	10-1/2	6	4-1/2	12	4	2	7-1/2	1-1/2	1-3/8	13/16	1-1/8	4742	193
42	26	13-1/4	12	7	5-1/4	14	4-1/2	2-3/8	8-1/2	1-5/8	1-1/2	7/8	1-1/4	4733	285
48	29-1/2	15-1/4	14	8	6	17	5-1/2	2-3/4	9-1/2	1-3/4	1-5/8	15/16	1-3/8	16632	315
54	33-1/2	16-1/2	15-1/2	9	6-1/2	18	6	3	11	2	1-3/4	1	1-1/2	16690	500

CLEATS



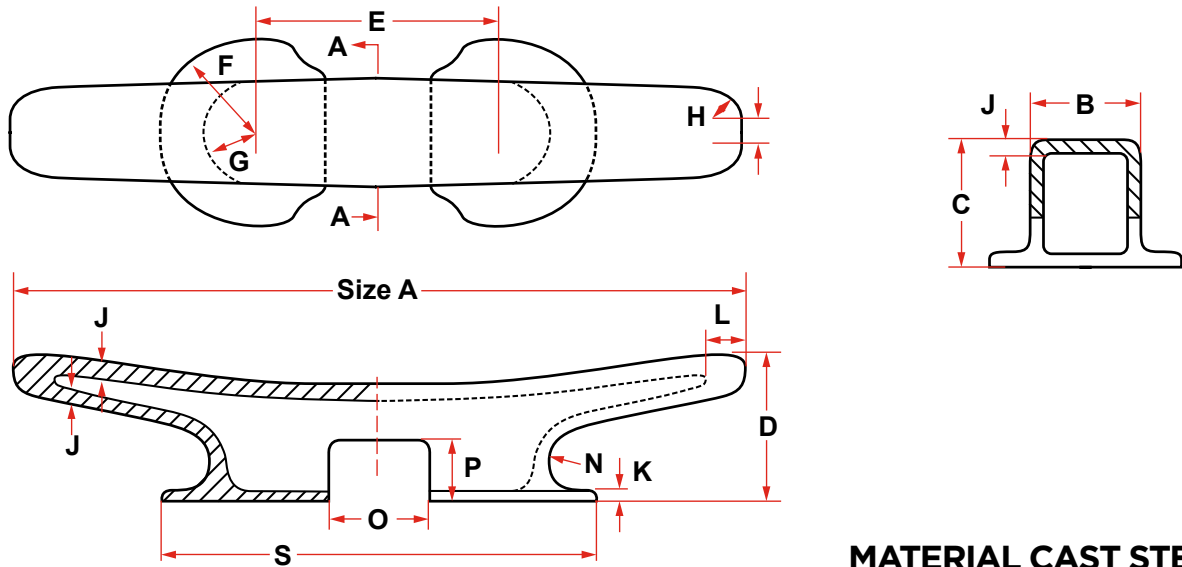
DIMENSIONS (INCHES)								
A	B	C	D	E	F	G	H	J
8	3	5	3	5/8	1-1/4	1/2	3	5/8
12	3-1/2	8	4	5/8	1-3/8	9/16	3-3/4	5/8
14	4	8	4-1/2	3/4	2	3/4	4-1/8	3/4
16	4-1/2	8	5	7/8	2-1/2	7/8	4-1/2	7/8
18	5	9	5-1/2	1	3	7/8	4-7/8	1

DOUBLE BITTS, FABRICATED 8" TO 20" (JIS F-2001)



NOMINAL DIA.	DIMENSIONS (MM)						MAX B.L. OF ROPE (TON)	MASS (KG)
	D	H1	b	B	L	h		
100	114	150	250	165	445	50	3	19
125	139	190	315	195	540	60	4	29
160	165	250	400	225	670	70	5	45
200	216	300	500	290	860	85	8	80
250	267	380	630	360	1065	100	12	139
315	318	480	800	430	1300	125	20	261
355	355	530	890	480	1475	145	26	361
400	406	600	1000	550	1630	160	32	502
450	457	680	1130	620	1840	170	39	685
500	508	750	1250	690	2040	190	46	911
560	558	830	1380	750	2240	210	56	1208
630	609	940	1570	820	2510	225	70	1600
710	711	1050	1750	960	2840	260	82	2252
800	812	1200	2000	1100	3240	295	100	3071

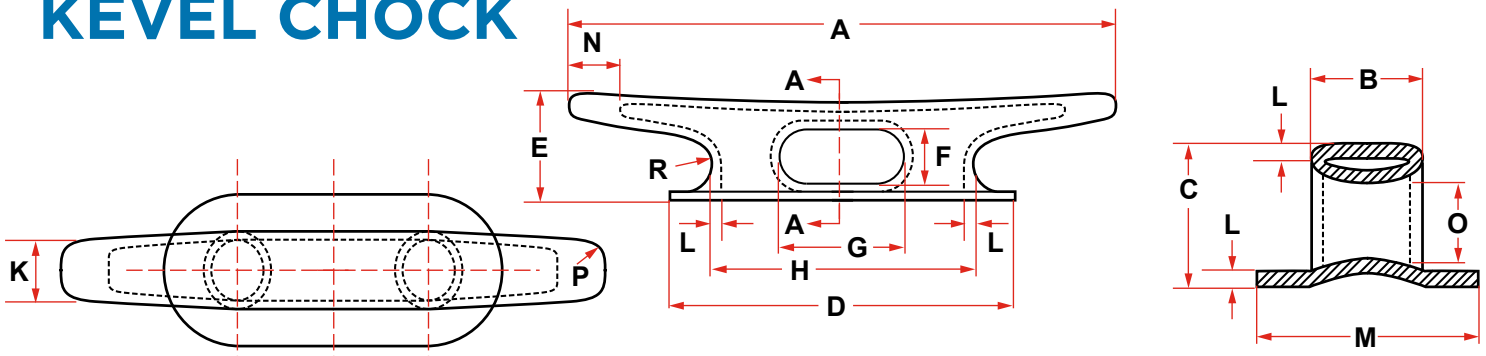
KEVEL



MATERIAL CAST STEEL

DIMENSIONS (INCHES)																	
A	B	C	D	E	F	G	H	I	J	K	L	M	N	O	P	S	
30	4	5	6-1/8	10	4	2	1-1/4	3/4	1/2	3/8	1-3/4	3/4	1	4	2-1/4	18	
36	5	5-7/8	7-1/8	12	5	2-1/2	1-1/2	1	9/16	1/2	2-1/8	7/8	1-1/2	5	2-3/4	22	
42	6	7	8-1/2	14	6	3	1-7/8	1-1/4	5/8	5/8	2-1/2	1	2	6	3-1/4	26	
48	7	9	10	16	7	3-1/2	2	1-1/2	3/4	3/4	4	1-1/4	2-1/2	7	4	30	
60	7	9	13	20	9	4-1/2	2	1-3/4	3/4	3/4	4	1-1/4	2-1/2	9	4	38	

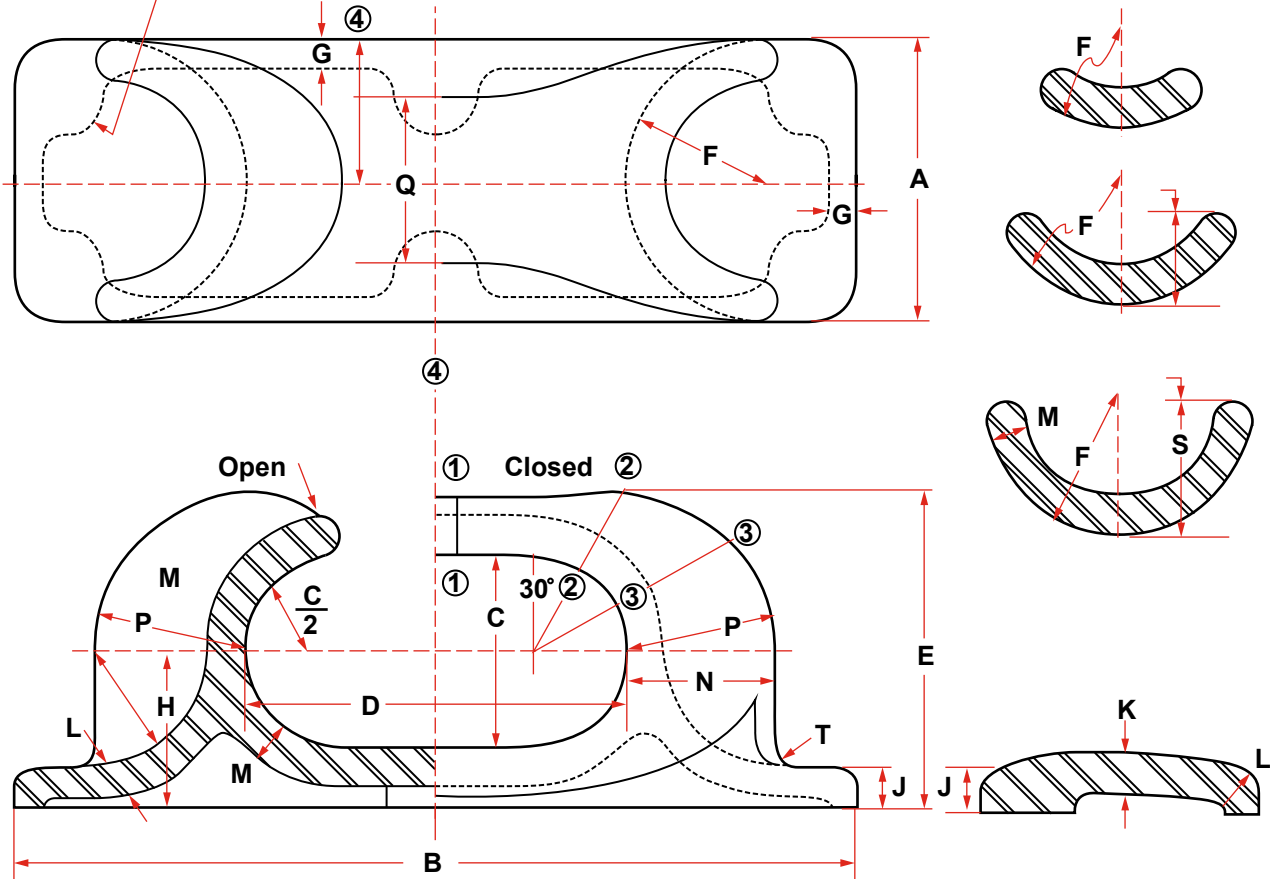
KEVEL CHOCK



DIMENSIONS (INCHES)																
A	B	C	D	E	F	G	H	K	L	M	N	O	P	R	T	
24	3	4-1/2	17	6	1-1/2	5-1/2	11	1-1/2	1/2	8	2	1-1/2	1-1/8	1	3/4	
30	4	5-5/8	20-1/4	7	2-3/8	6-7/8	14	3-1/4	1/2	9-1/2	2	2-3/8	1-1/4	1-3/8	7/8	
36	5	6-3/4	23-1/2	8	3-1/4	8-1/4	17	4	9/16	11	2-1/2	3-1/4	1-1/2	1-3/4	1	
42	6	7-7/8	26-3/4	9	4-1/8	9-5/8	20	4-3/4	5/8	12-1/2	2-3/4	4-1/8	1-7/8	2-1/8	1-1/8	
48	7	9	30	10	5	11	23	5-1/2	3/4	14	4	5	2	2-1/2	1-1/4	

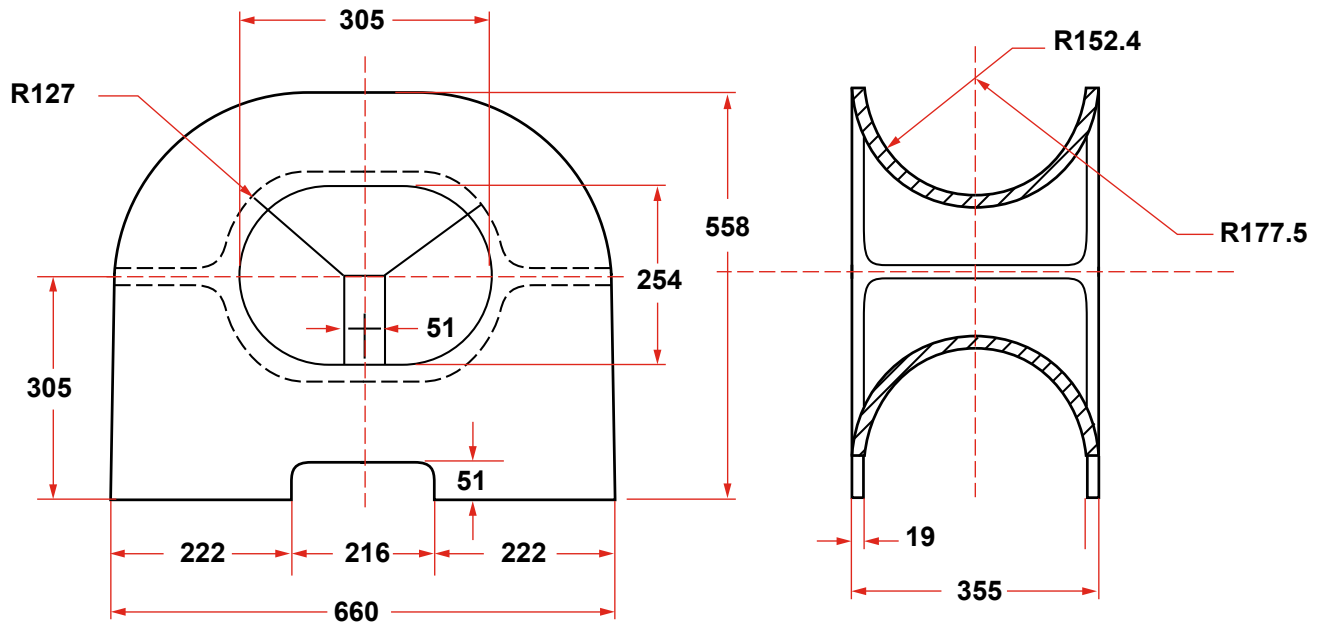
DECK MOUNT PLAIN CHOCK

Pads for Bolting to Wooden Dock Omitted Unless Specified on Order.

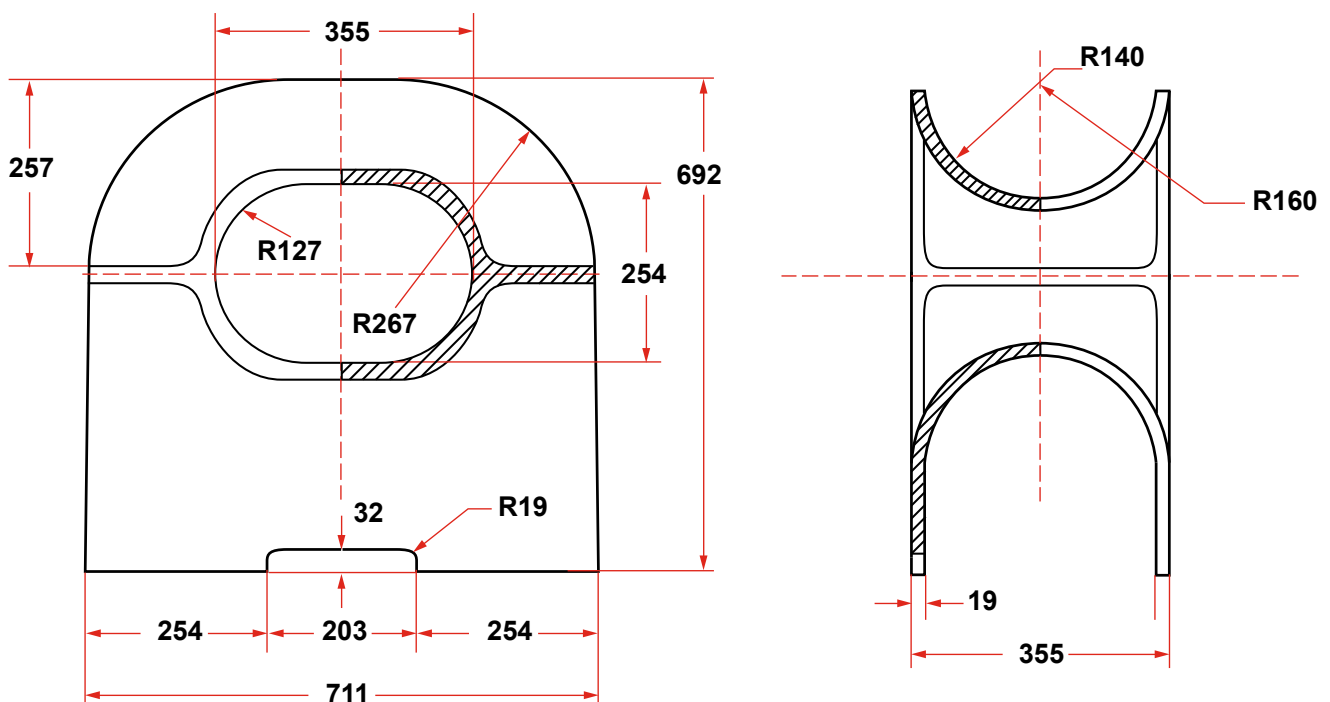


SIZE	DIMENSIONS (INCHES)																
A	B	C	D	E	F	G	H	J	K	L	M	N	P	Q	R	S	T
6	19-3/4	4	8	6-3/4	3	3/4	3-3/8	1	1-3/8	3/4	1	3-1/4	3-3/8	3-1/2	1-7/8	2-7/8	3/8
7	22-3/8	4-3/8	9-1/4	7-7/8	3-1/2	3/4	3-15/16	1-3/16	1-3/8	7/8	1-1/8	3-13/16	3-15/16	4-1/8	2-3/16	3-15/16	3/8
8	25-1/4	5-3/8	10-3/4	9	4	7/8	4-1/2	1-5/16	1-13/16	1	1-1/4	4-3/8	4-1/2	4-3/4	2-9/16	3-3/4	1/2
9	27-3/4	6	12	10-1/8	4-1/2	7/8	5-1/16	1-1/2	2-1/16	1-1/8	1-3/8	4-7/8	5-1/16	5-1/4	2-7/8	4-1/4	1/2
10	30-3/8	6-5/8	13-1/4	11-1/8	5	1	5-1/2	1-9/16	2-3/16	1-1/4	1-1/2	5-7/16	5-3/8	5-7/8	3-3/16	4-3/4	5/8
11	33-1/4	7-3/8	14-3/4	12-1/4	5-1/2	1	6-1/16	1-11/16	2-3/8	1-3/8	1-5/8	6	6-3/16	6-1/2	3-1/2	5-1/4	5/8
12	36	8	16	13-3/8	6	1-1/4	6-5/8	1-7/8	2-5/8	1-1/2	1-3/4	6-1/2	6-3/4	7	3-7/8	5-3/4	3/4
14	42	9-3/8	18-3/4	15-5/8	7	1-1/4	7-3/4	2-3/16	3-1/16	1-3/4	2	7-5/8	7-7/8	8-1/4	4-1/2	6-11/16	7/8
18	54	12	24	20	9	1-1/2	9-7/8	2-3/4	3-7/8	2-1/4	2-1/2	10-1/8	10-1/8	10-1/2	5-3/4	8-5/8	1-1/8

CHOCKS - DECK MOUNTED, SIZE 10" X 12"

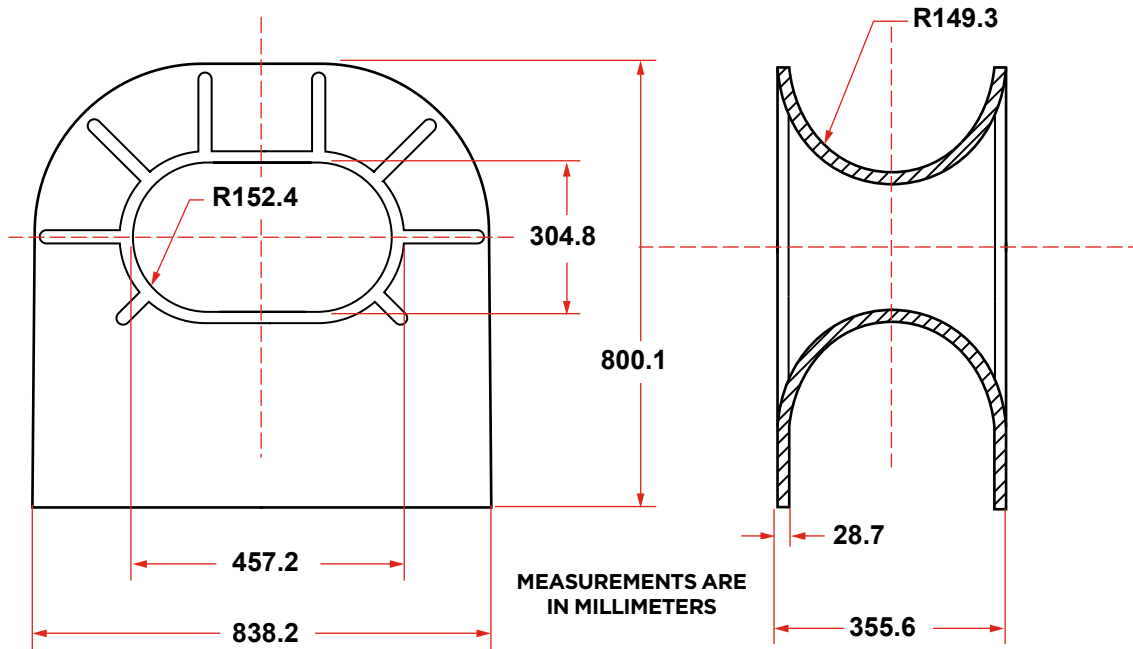


CHOCKS - DECK MOUNTED, SIZE 10" X 14"

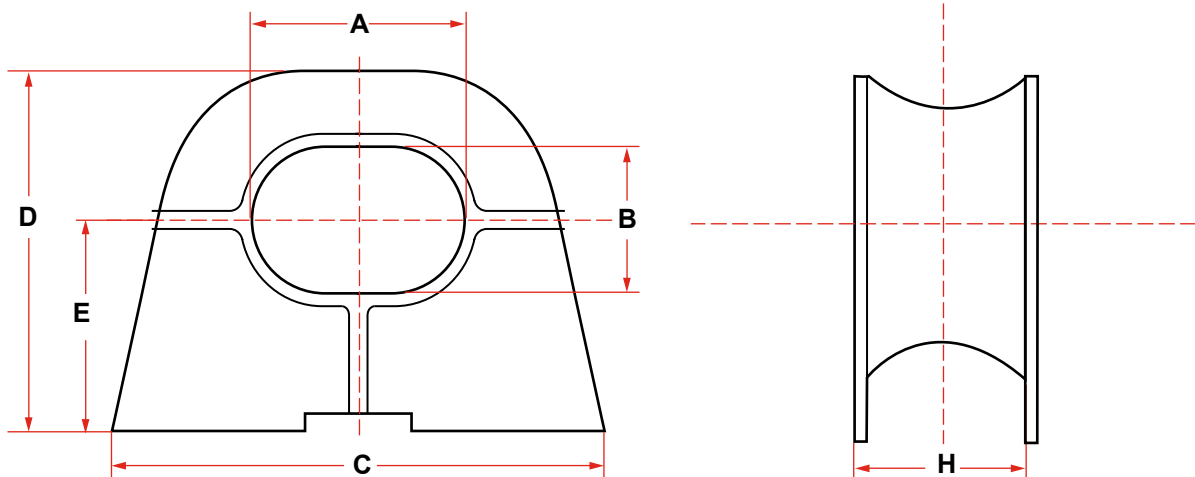


MEASUREMENTS ARE IN MILLIMETERS

CHOCKS - DECK MOUNTED, SIZE 12" X 18"



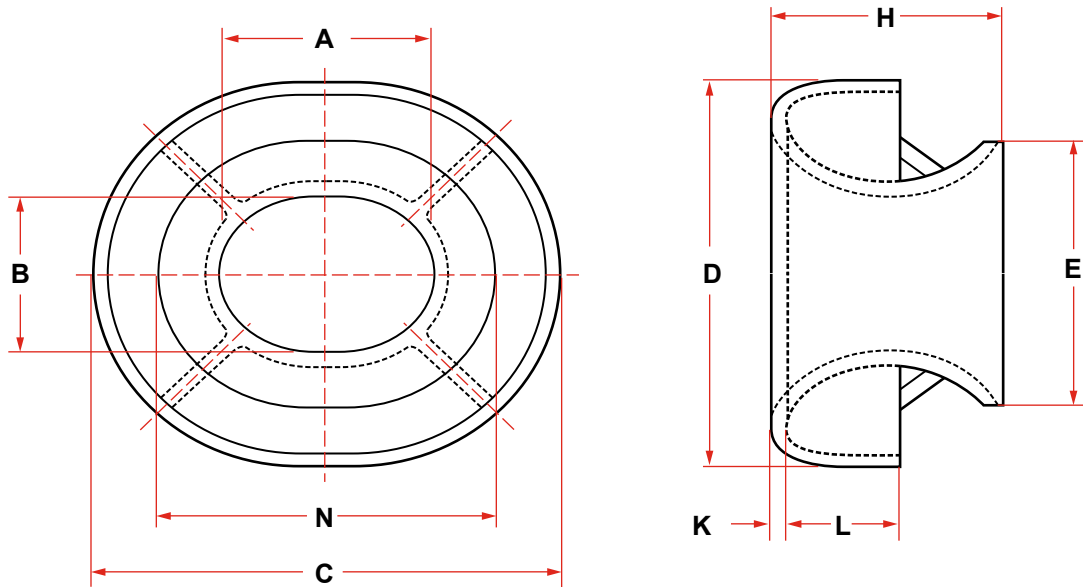
CHOCKS - DECK MOUNTED, TYPE EU SIZES 10" X 12" - 18" X 24"



DIMENSIONS (MM)							MASS (KG)
NOMINAL SIZE	A	B	C	D	E	H	
315 x 250	315	250	815	620	365	380	230
425 x 280	425	280	1075	785	450	500	378
600 x 315	600	315	1360	865	507	560	598
600 x 450	600	450	1360	1000	575	560	655
600 x 450	600	450	1560	1200	675	760	780

BULWARK MOUNTED PANAMA CHOCK

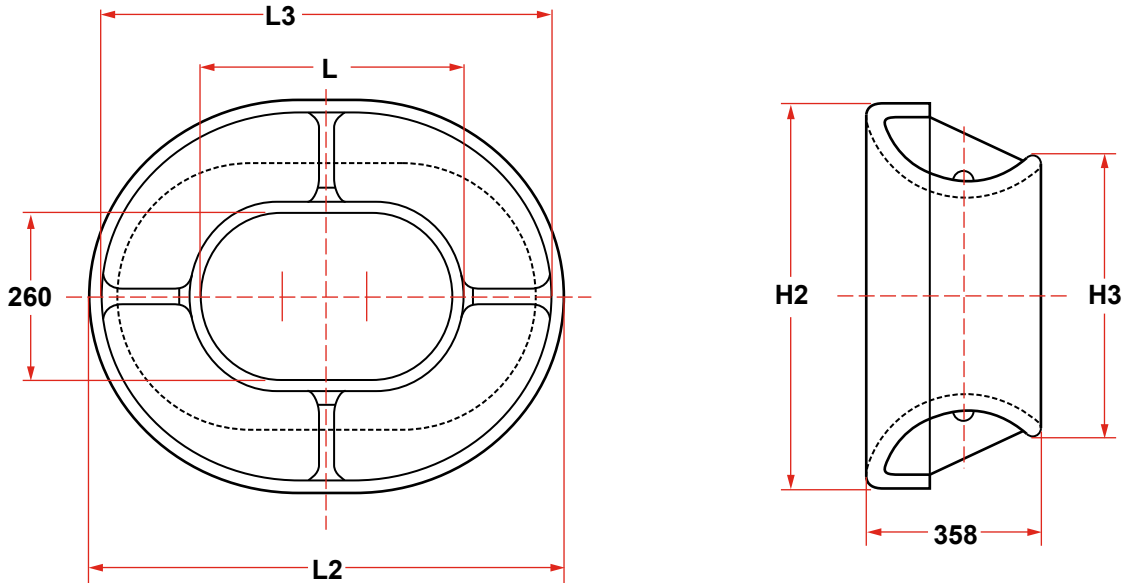
EU TYPE



DIMENSIONS (MM)									MASS (KG)
A	B	C	D	E	H	K	L	N	
315	250	695	630	432	342	22	168	497	198
425	280	925	780	516	450	26	224	661	358
600	315	1160	875	571	504	30	250	866	547
600	450	1160	1010	706	504	30	250	866	629
600	450	1360	1160	1060	504	30	250	1260	813

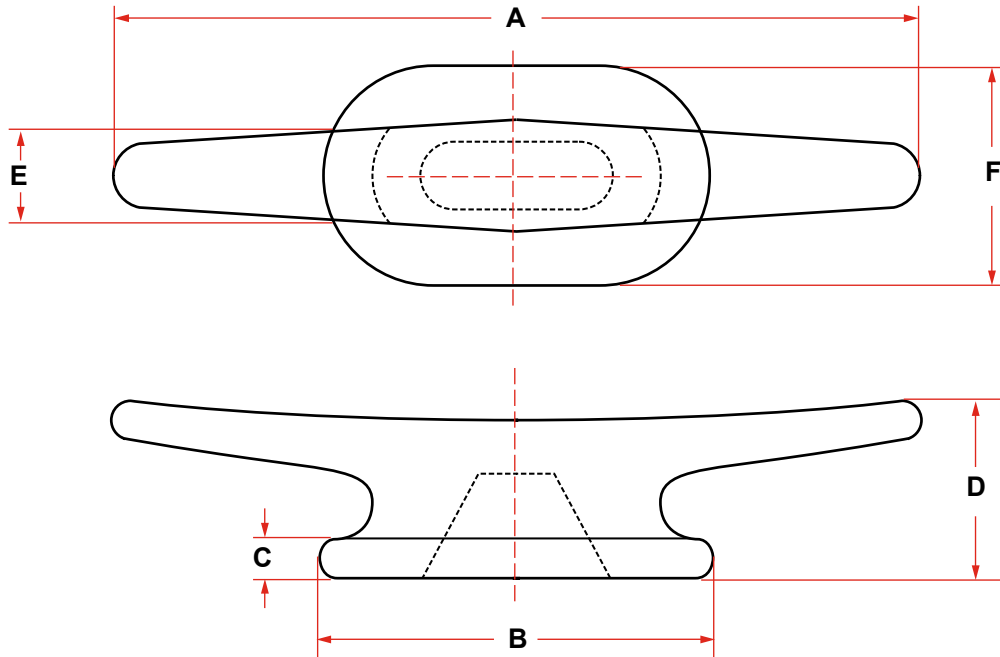
BULWARK MOUNTED PANAMA CHOCK

(JIS F-2017 TYPE BC)



DIMENSIONS (MM)						MASS (KG)
NOMINAL SIZE	L	L2	L3	H2	H3	
310	310	734	652	684	462	276
360	360	788	701	688	464	305
400	400	832	750	692	470	344
450	450	888	802	696	474	385
500	500	940	854	700	478	422

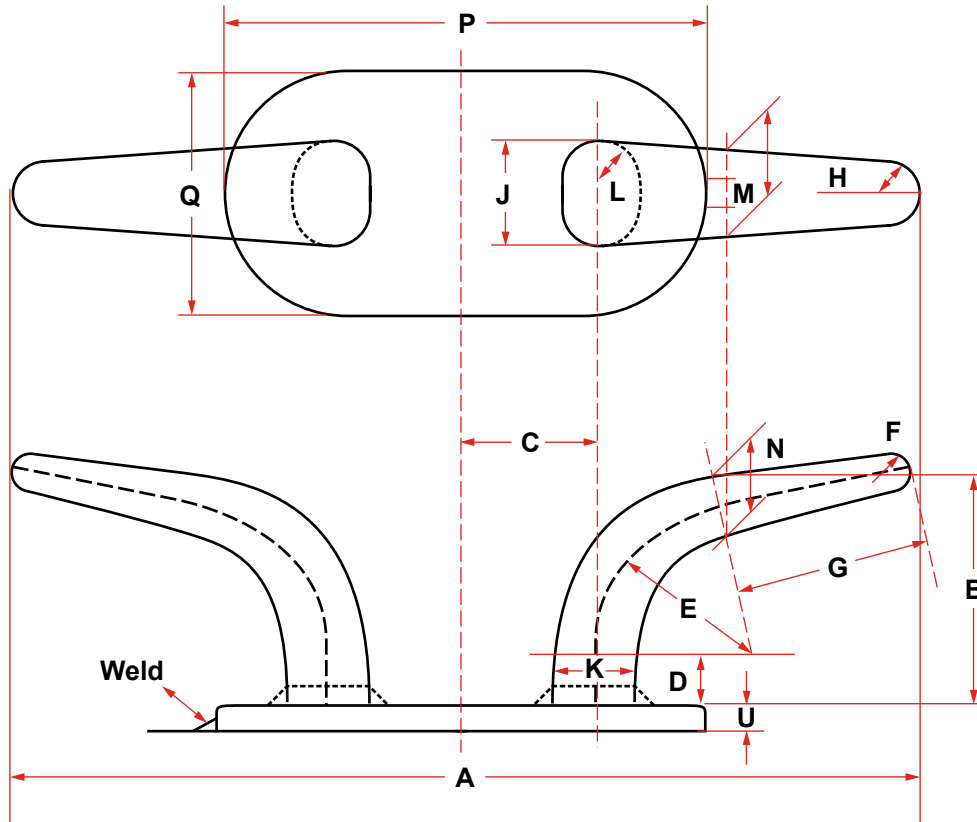
WELD ON STEEL CLEATS



ASTM A27 GRADE 70-36 CAST STEEL

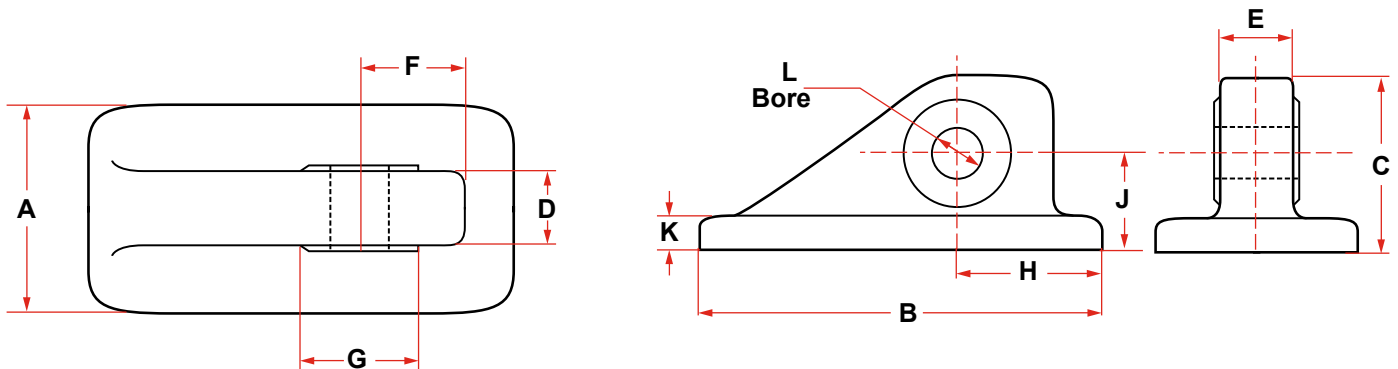
CLEAT SIZE (INCHES)	DIMENSIONS (MM)						WEIGHT (LBS)
	A	B	C	D	E	F	
8	8.00	4.40	0.35	1.70	1.25	2.14	3.00
10	10.00	5.13	0.40	2.24	1.42	2.53	4.30
12	12.00	5.55	0.55	2.75	1.70	3.50	8.00
14	14.00	7.00	0.53	3.20	2.13	4.00	13.00
16	16.00	8.25	0.75	3.50	2.13	4.50	17.00
18	18.00	9.25	0.85	4.26	2.63	4.75	24.00

HORN CLEATS - STEEL

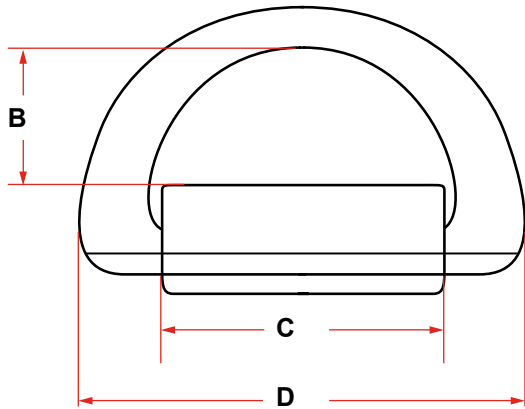


DIMENSIONS (INCHES)															
A	B	C	D	E	F	G	H	J	K	L	M	N	P	Q	U
8	2	1	1/2	1-1/4	5/32	1-15/16	5/32	11/16	11/16	-	9/16	9/16	4	2	1/4
10	2-5/8	1-1/2	1/2	1-3/4	3/16	2-5/32	3/8	1-1/4	7/8	7/16	1-1/6	11/16	5-3/8	2-3/4	5/16
12	3-1/4	1-3/4	3/4	2	3/16	2-23/32	7/16	1-5/8	1-1/8	9/16	1-3/8	7/8	6-3/8	3-1/4	3/8
16	4	2-5/8	1	2-1/2	1/4	3-7/8	9/16	2	1-1/4	5/8	1-3/4	1	8-1/4	4	1/2
18	4-1/2	2-5/8	1-1/8	2-3/8	5/16	4-11/16	5/8	2-1/2	1-1/2	3/4	2-1/8	1-1/8	9-1/8	5	5/8
20	5	2-3/4	1-1/4	2-5/8	5/16	5-3/8	3/4	2-3/4	1-5/8	13/16	2-3/8	1-1/4	9-7/8	5-1/2	5/8

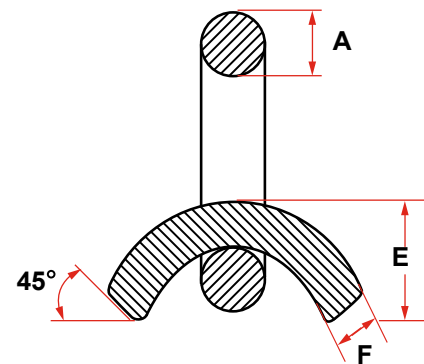
TOWING PAD EYE



DIMENSIONS (INCHES)											
Chain Size	A	B	C	D	E	F	G	H	J	K	L
3/4	5	10	4-3/4	3/4	1	1-3/4	1-7/8	2-1/4	2-3/4	3/4	15/16
1	5	10	5-1/4	1-3/16	1-7/16	1-3/4	2-3/8	2-3/4	3	3/4	1-3/16
1-1/4	6	12	6	1-17/32	1-25/32	2-1/2	3	3-3/4	3-1/2	1	1-7/16
1-1/2	6	12	6-3/4	1-7/8	2-1/8	3	3-5/8	4-1/2	3-7/8	1	1-11/16
2	8	16	8-1/2	2-3/4	3	4-1/4	5	5-3/4	5	1-1/2	2-5/16
2-1/2	10	20	9-3/4	3-5/8	3-7/8	5	6	8	5-3/4	1-3/4	2-13/16
3	12	24	10-1/2	4-1/2	4-3/4	5-5/8	6-1/2	9	6	2	3-5/16

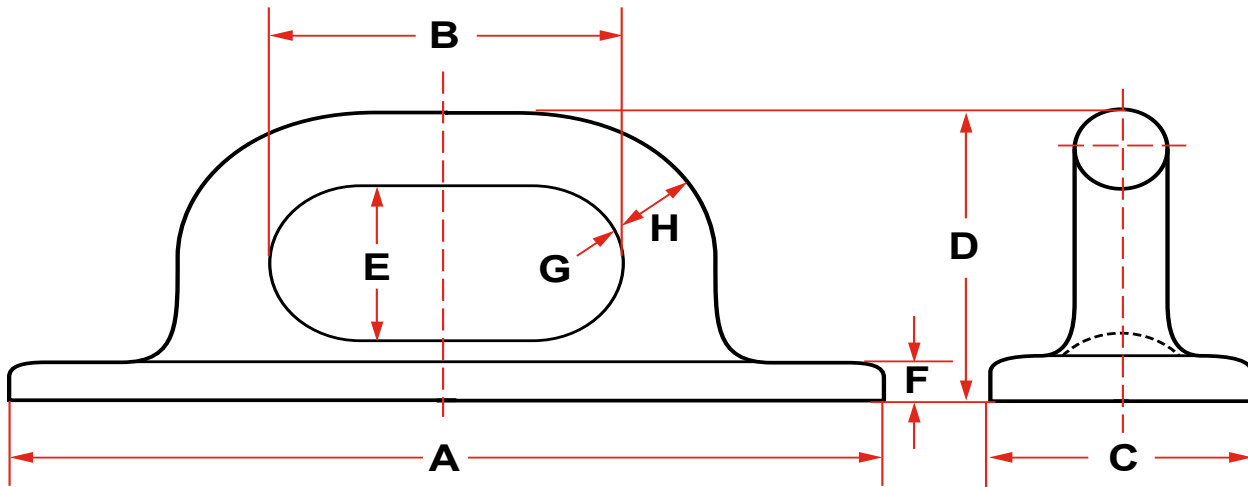


D-RING



DIMENSIONS (MM)							
Tons	A	B	C	D	E	F	Weight (Kg)
7	12.7	44.5	60.3	95.3	22.4	6.5	.45
36	22	66	125	208	36	12	2.4
41	23	79.4	127	203.2	44.5	12.7	3.5
50	25.4	67.2	127	222.3	51.9	16	4.7

CAST STEEL D-RING



MODEL NO.	A	B	C	D	E	F	G	H	WEIGHT (LBS)
DF-196	20	8	6	7-5/8	4	1	2	2-1/8	55