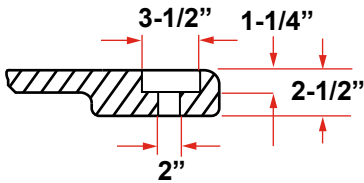
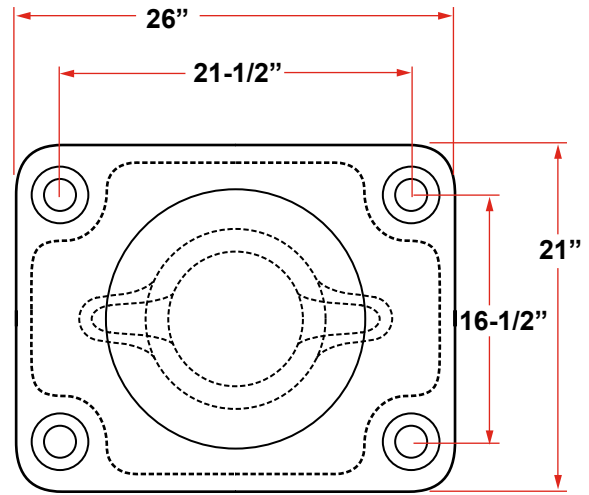
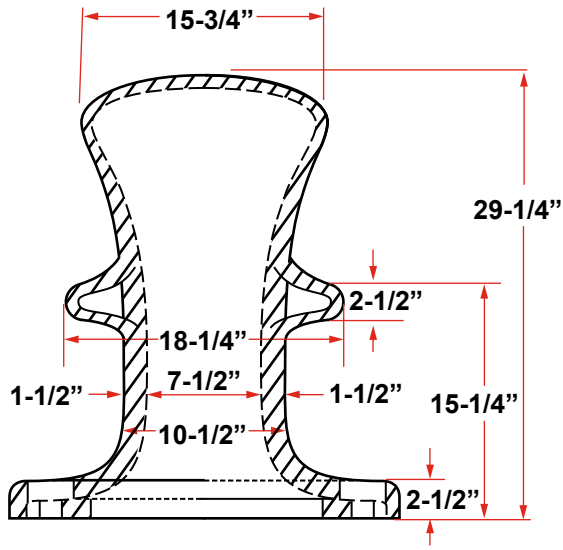




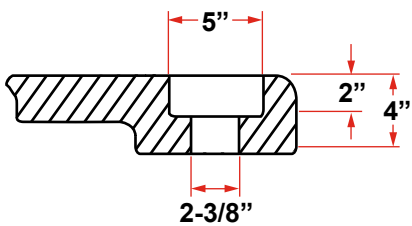
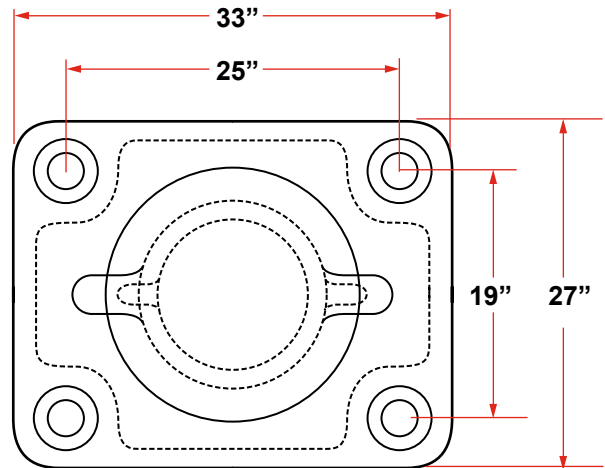
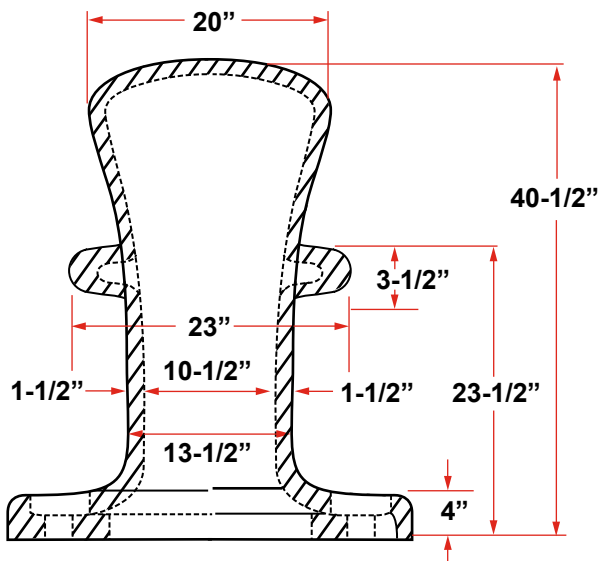
CASTING INDEX

PART NUMBER	DESCRIPTION	ANCHOR BOLTS QTY. X SIZE	MAXIMUM CAPACITY
AMB-20	BOLLARD, CAST STEEL	4 X 1-3/4"	20 TONS
AMB-25	BOLLARD, CAST STEEL	4 X 2-1/4"	25 TONS
AMB-30	BOLLARD, CAST STEEL	6 X 1-3/4"	30 TONS
AMB-40	BOLLARD, CAST STEEL	8 X 1-1/2"	40 TONS
AMB-40A	BOLLARD, CAST STEEL	4 X 1-1/2"	40 TONS
AMB-45	BOLLARD, CAST STEEL	4 X 1-1/4"	45 TONS
AMB-50A	BOLLARD, CAST STEEL	4 X 1-1/4"	50 TONS
AMB-50	BOLLARD, CAST STEEL	4 X 1-3/4"	50 TONS
AMB-55	BOLLARD, CAST STEEL	4 X 1-3/4"	55 TONS
AMB-65	BOLLARD, CAST STEEL	4 X 1-3/4"	65 TONS
AMB-70	BOLLARD, CAST STEEL	4 X 2"	70 TONS
AMB-80	BOLLARD, CAST STEEL	4 X 2"	80 TONS
AMB-90	BOLLARD, CAST STEEL	6 X 2"	90 TONS
AMB-100	BOLLARD, CAST STEEL	6 X 2-1/4"	100 TONS
AMB-100A	BOLLARD, CAST STEEL	8 X 2-1/4"	100 TONS
AMB-100B	BOLLARD, CAST STEEL	8 X 2-1/4"	100 TONS
AMB-125	BOLLARD, CAST STEEL	8 X 2"	125 TONS
AMB-150	BOLLARD, CAST STEEL	8 X 2-3/4"	150 TONS
AMB-225	BOLLARD, CAST STEEL	8 X 2-3/4"	225 TONS



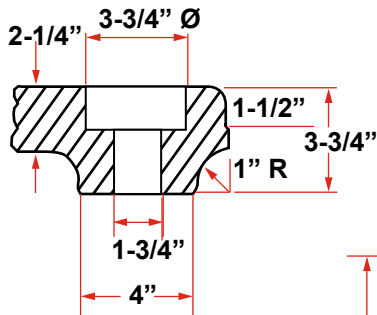
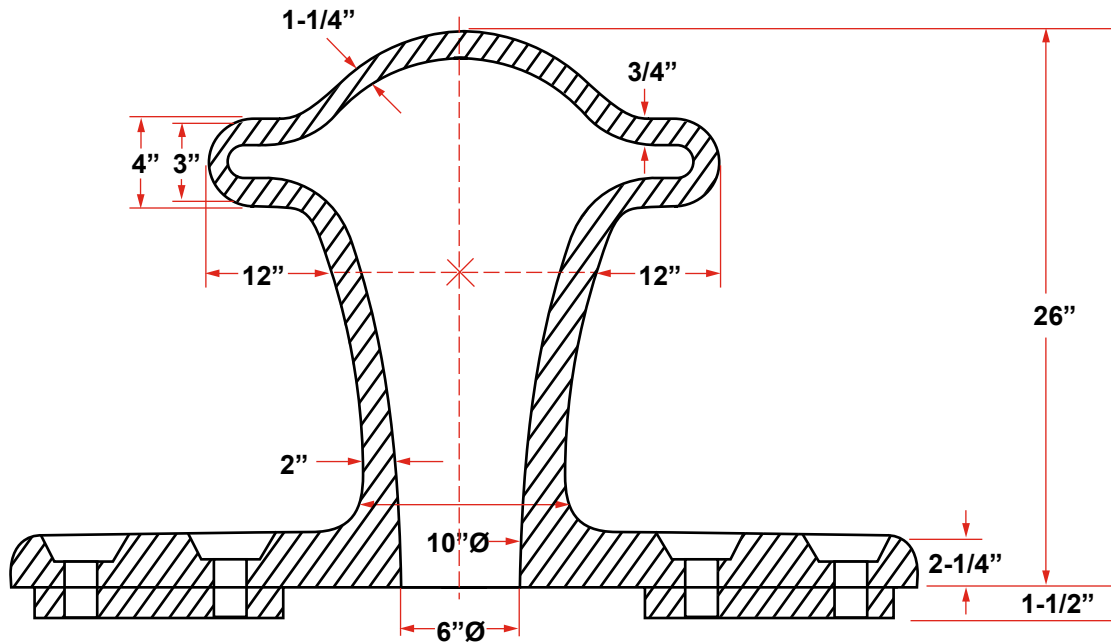
2" Ø CORE FOR
1-3/4" Ø BOLT

20 TON BOLLARD AMB-20

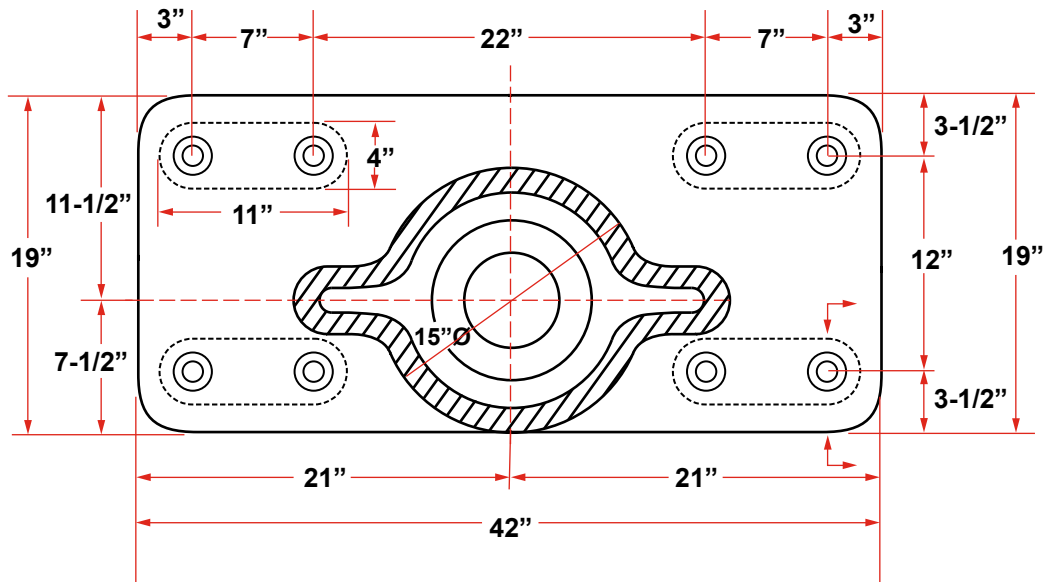
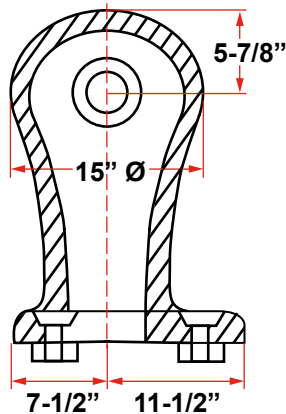


2-3/8" Ø CORE FOR
2-1/4" Ø BOLT

25 TON BOLLARD AMB-25

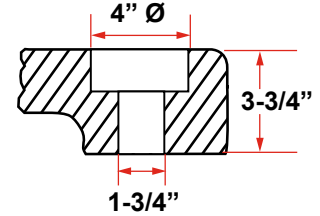
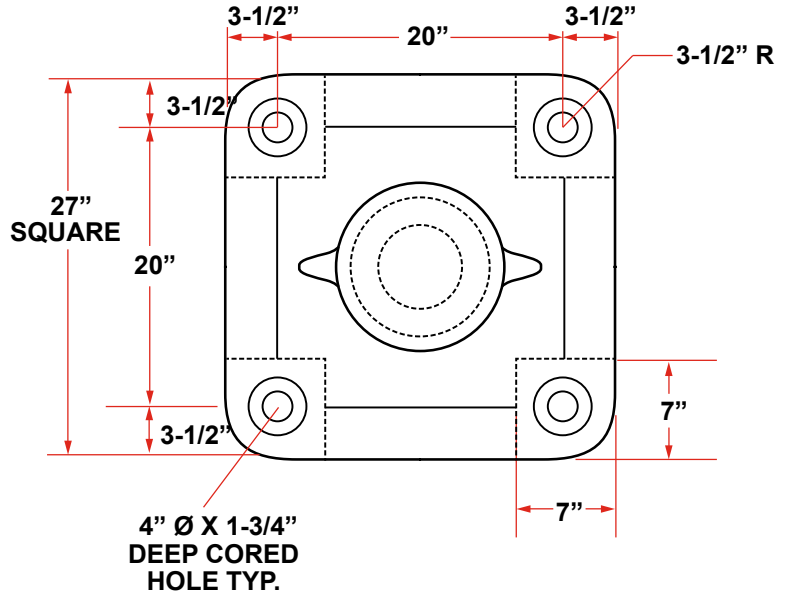
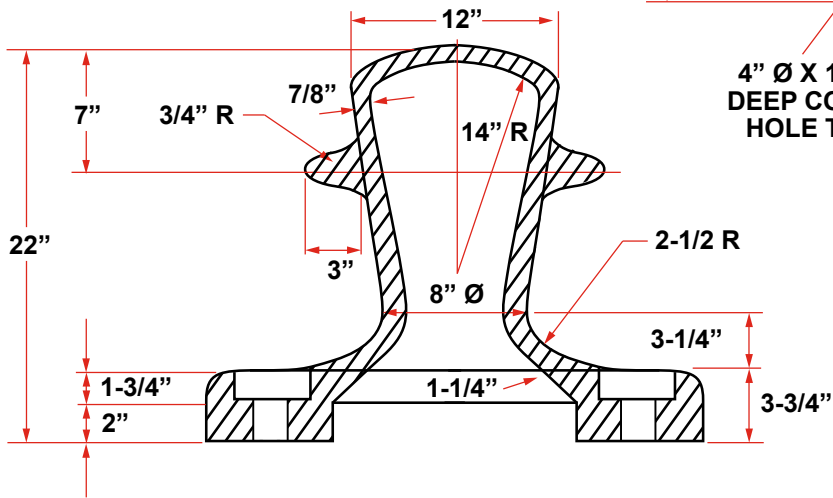


1-3/4" Ø CORE FOR
1-1/2" Ø BOLT



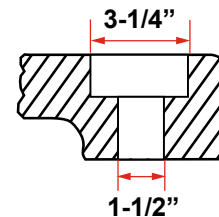
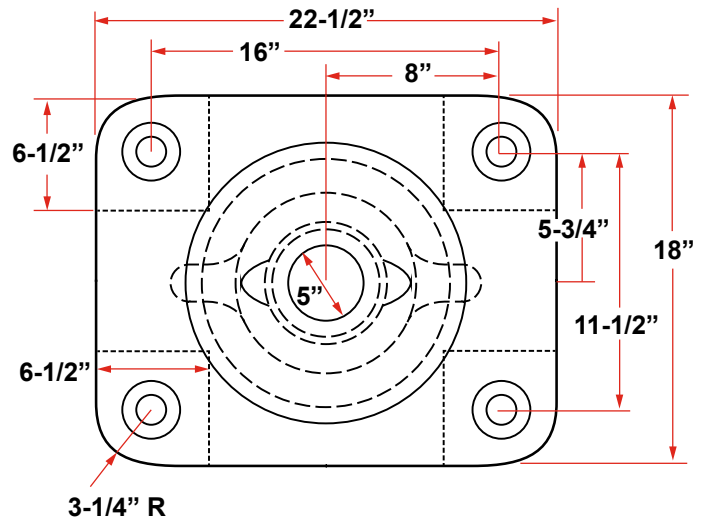
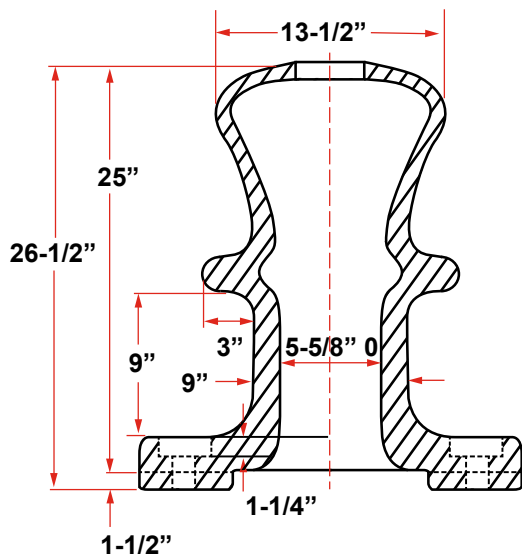
40 TON BOLLARD AMB-40

40 TON BOLLARD AMB-40A

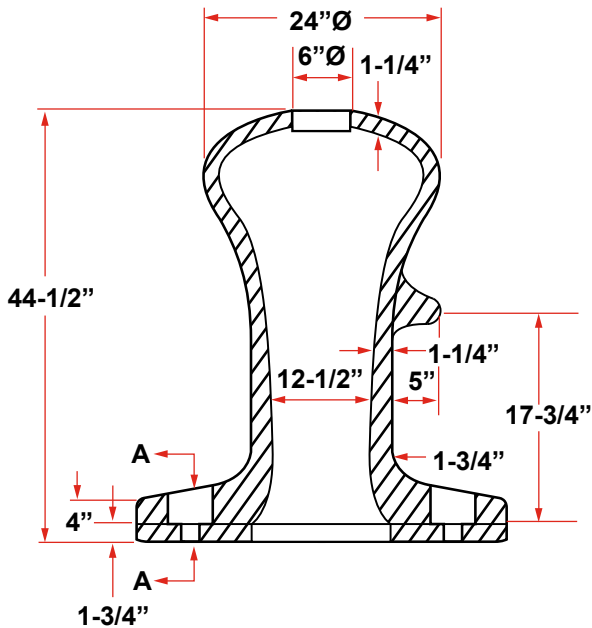


1-3/4" Ø CORE FOR
1-1/2" Ø BOLT

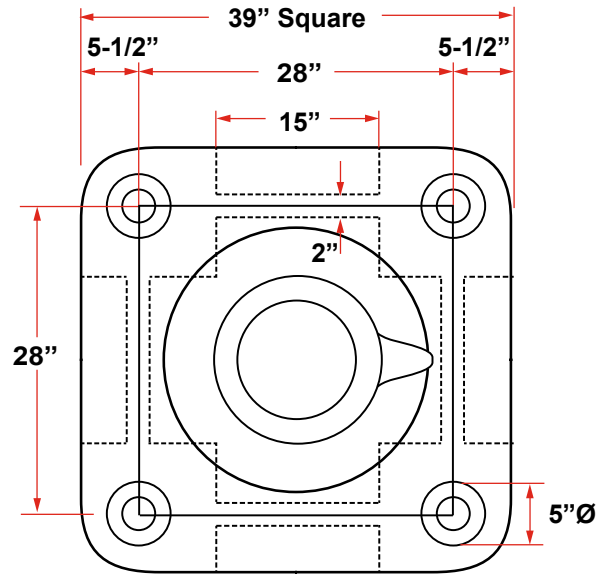
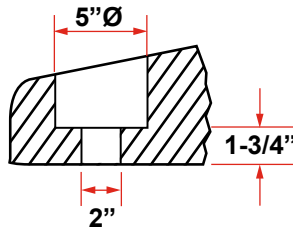
45 TON BOLLARD AMB-45



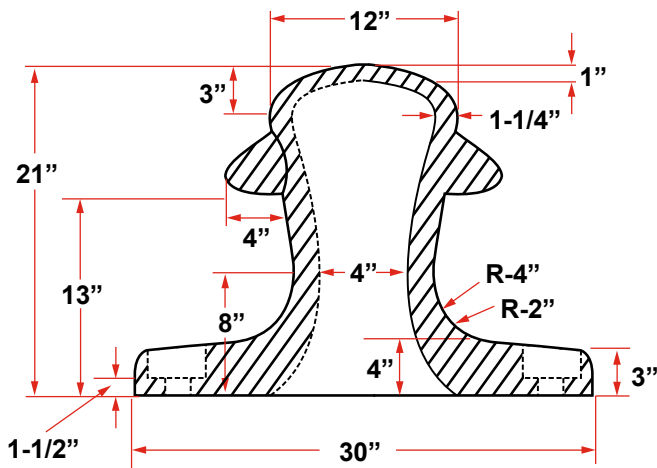
1-1/2" Ø CORE FOR
1-1/4" Ø BOLT



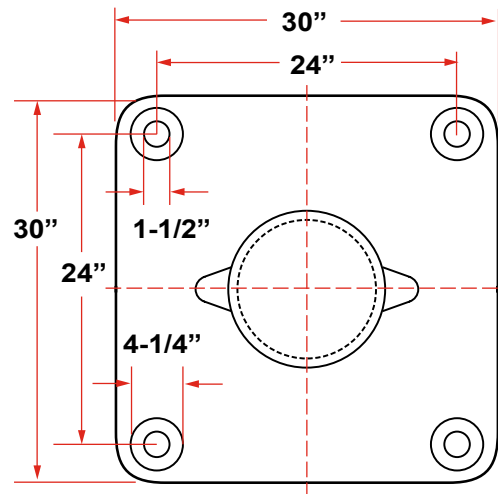
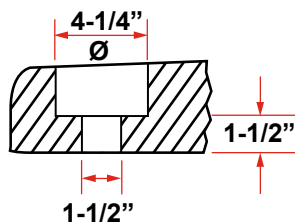
2" Ø CORE FOR
1-3/4" Ø BOLT



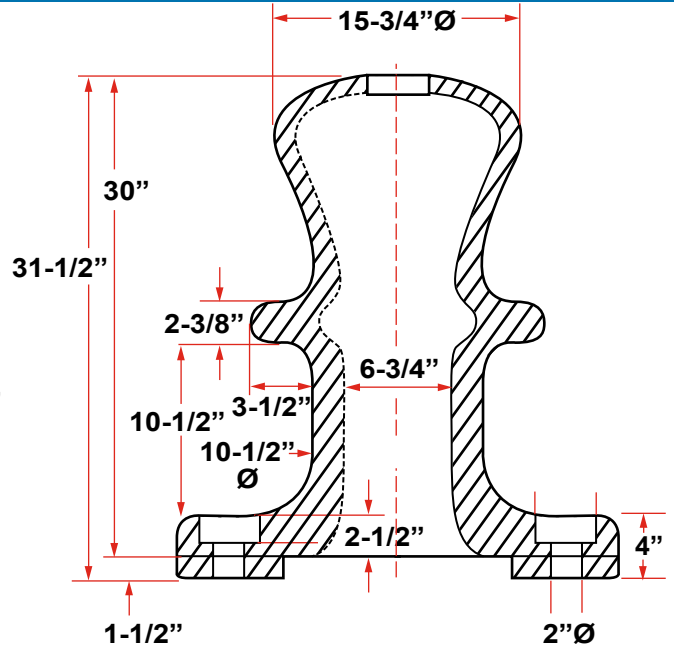
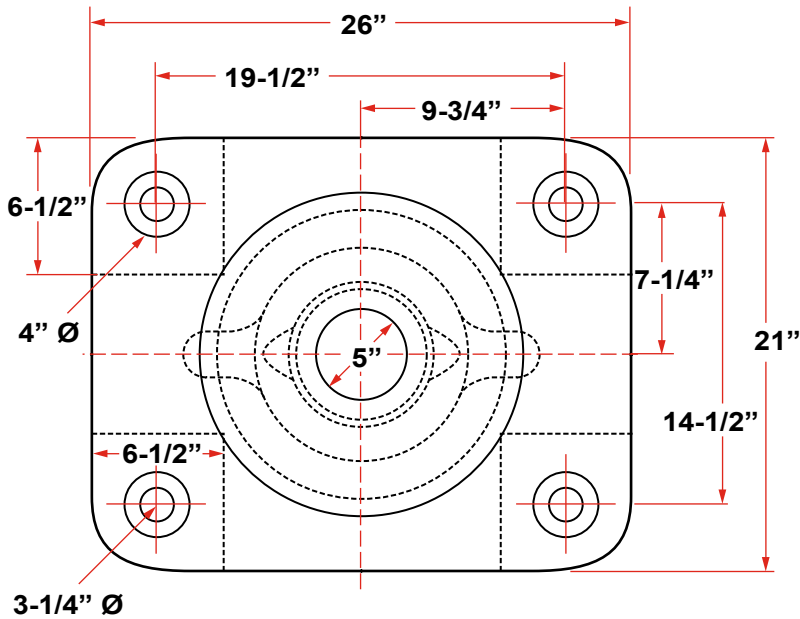
50 TON BOLLARD AMB-50



1-1/2" Ø CORE FOR
1-1/4" Ø BOLT

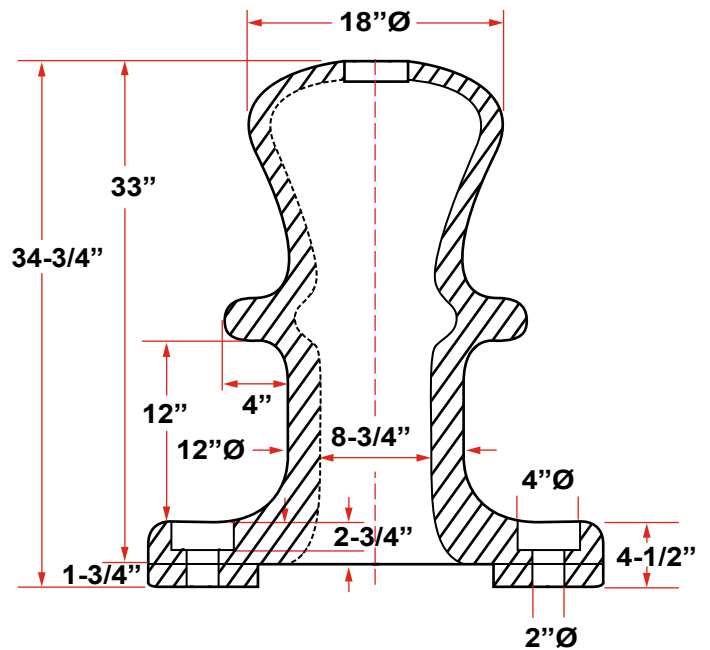
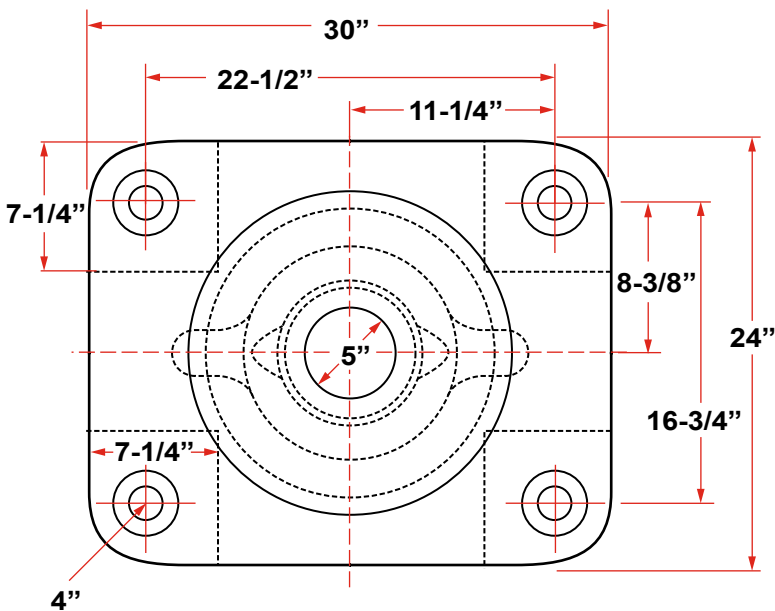
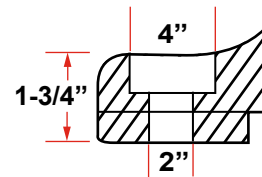


50 TON BOLLARD AMB-50A



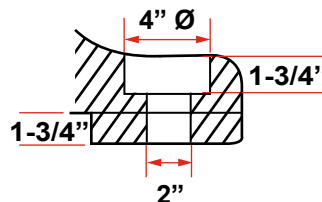
**55 TON BOLLARD
AMB-55**

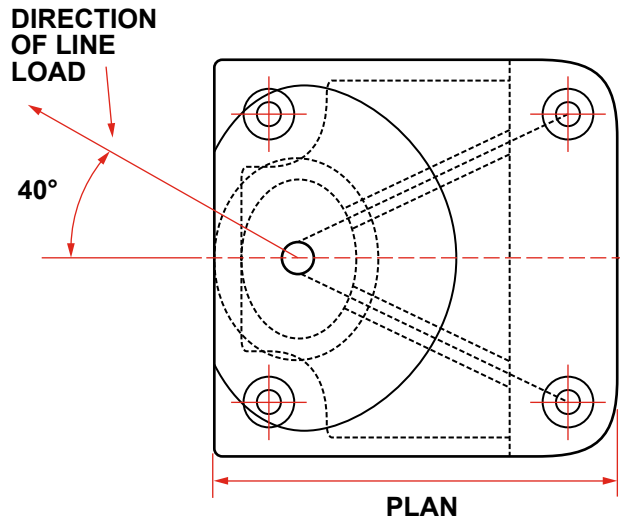
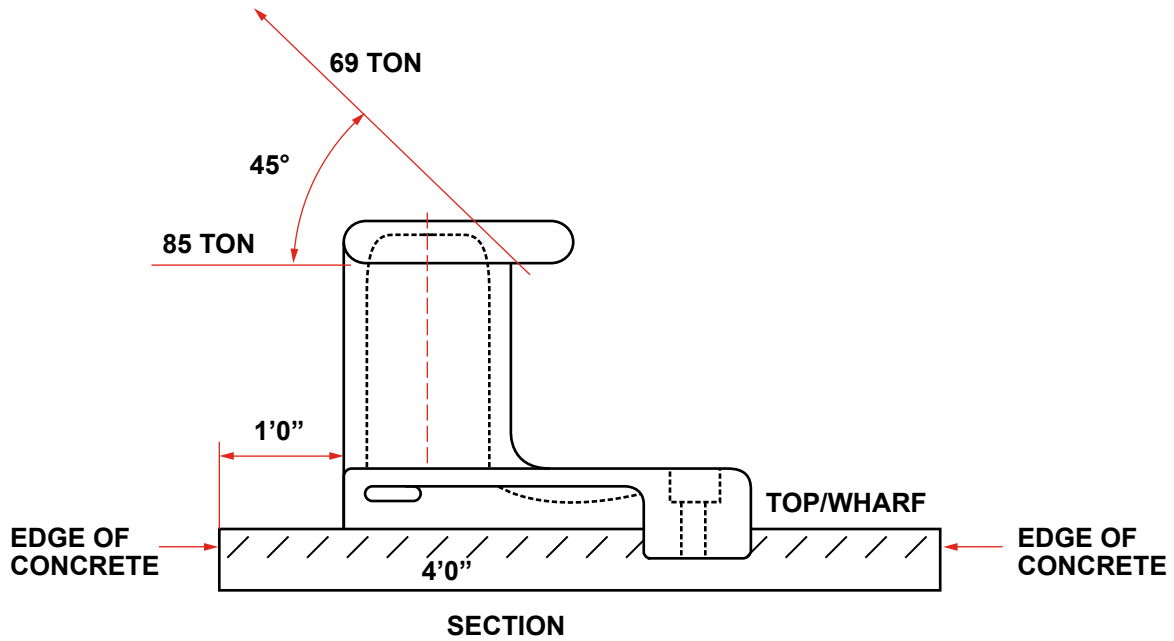
2" Ø CORE FOR
1-3/4" Ø BOLT



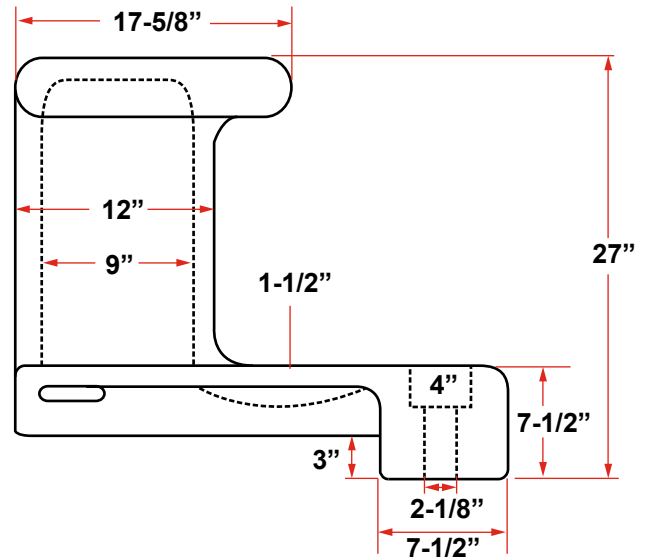
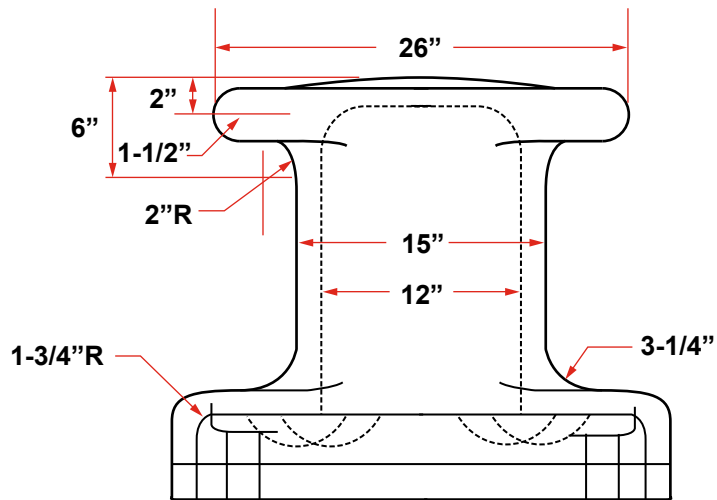
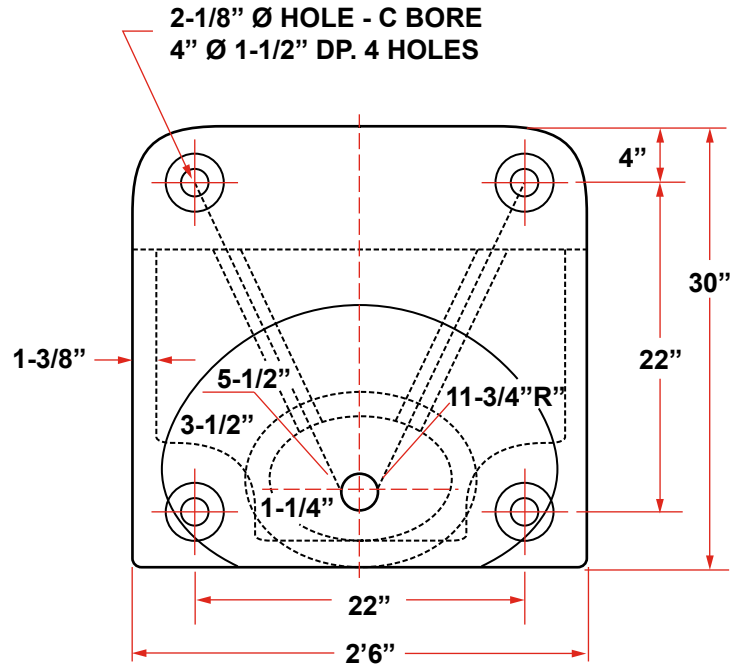
**65 TON BOLLARD
AMB-65**

2" Ø CORE FOR
1-3/4" Ø BOLT



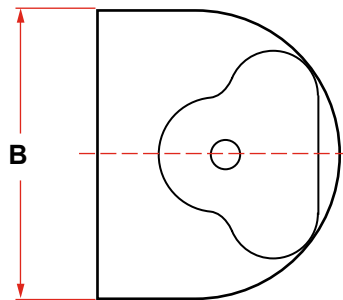
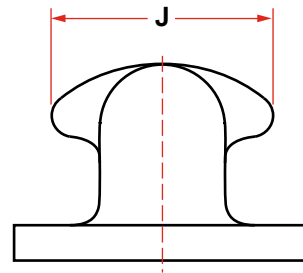
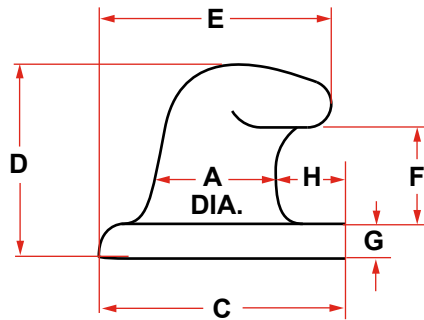


T-HEAD BOLLARD MOORING LINE LOAD



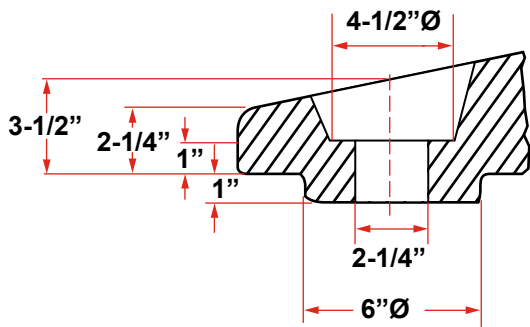
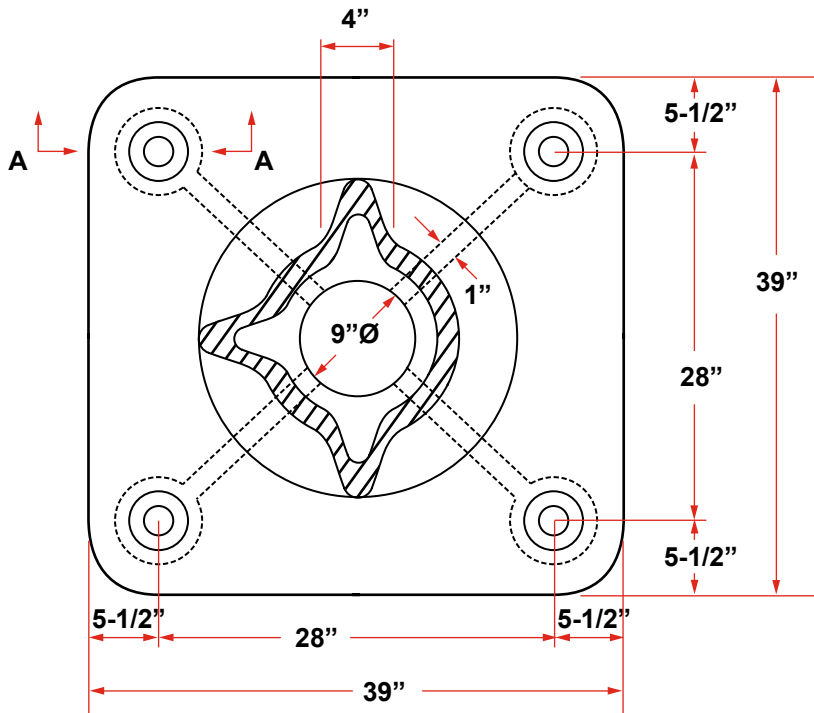
2 1/8" Ø CORE FOR
2" Ø BOLTS

70 TON BOLLARD AMB-70

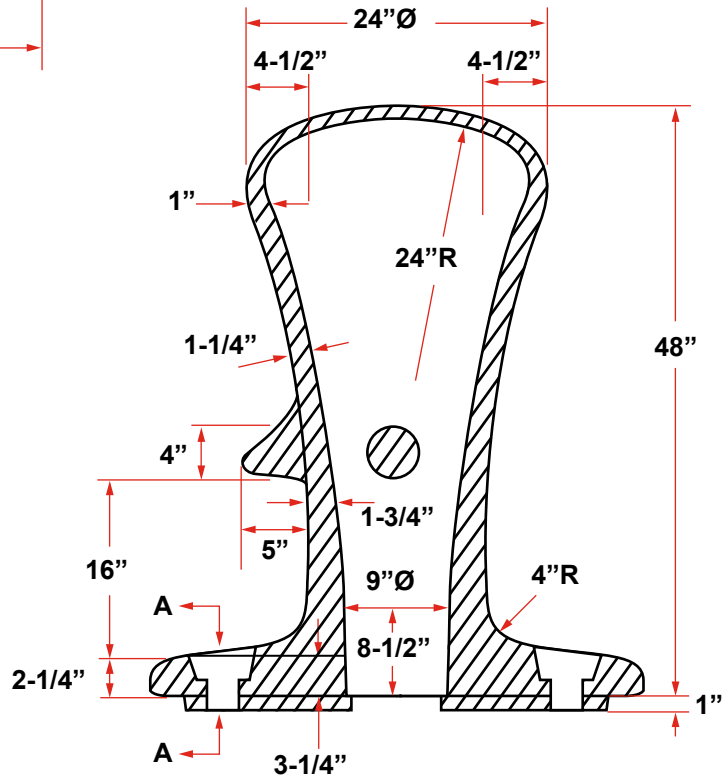


T-HEAD BOLLARD MOORING BOLLARD

APPROXIMATE DIMENSIONS (INCHES)										
Load Tons	Type No.	A	B	C	D	E	F	G	H	J
50	X-5-A	11-3/4	31-1/2	25-1/2	19	22-1/2	9-1/2	3	8	23-1/2
75	X-9-A	13-1/2	31-1/2	28-1/4	20	24-1/4	10-1/4	3-1/2	8-3/4	25-1/2
100	X-10-A	14-3/4	39-1/4	32	23-1/2	28	12	4	10-3/4	29-1/2
150	X-15-A	17	42-1/2	35-1/2	26-1/4	32-3/4	13-3/4	4-3/8	11	31-1/2

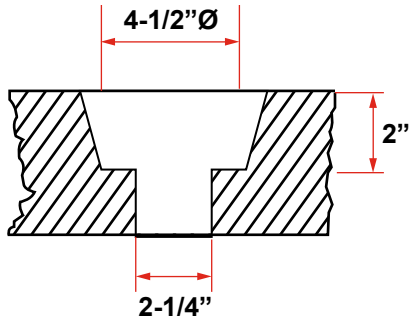


2-1/4" CORE HOLES FOR
2" Ø BOLTS

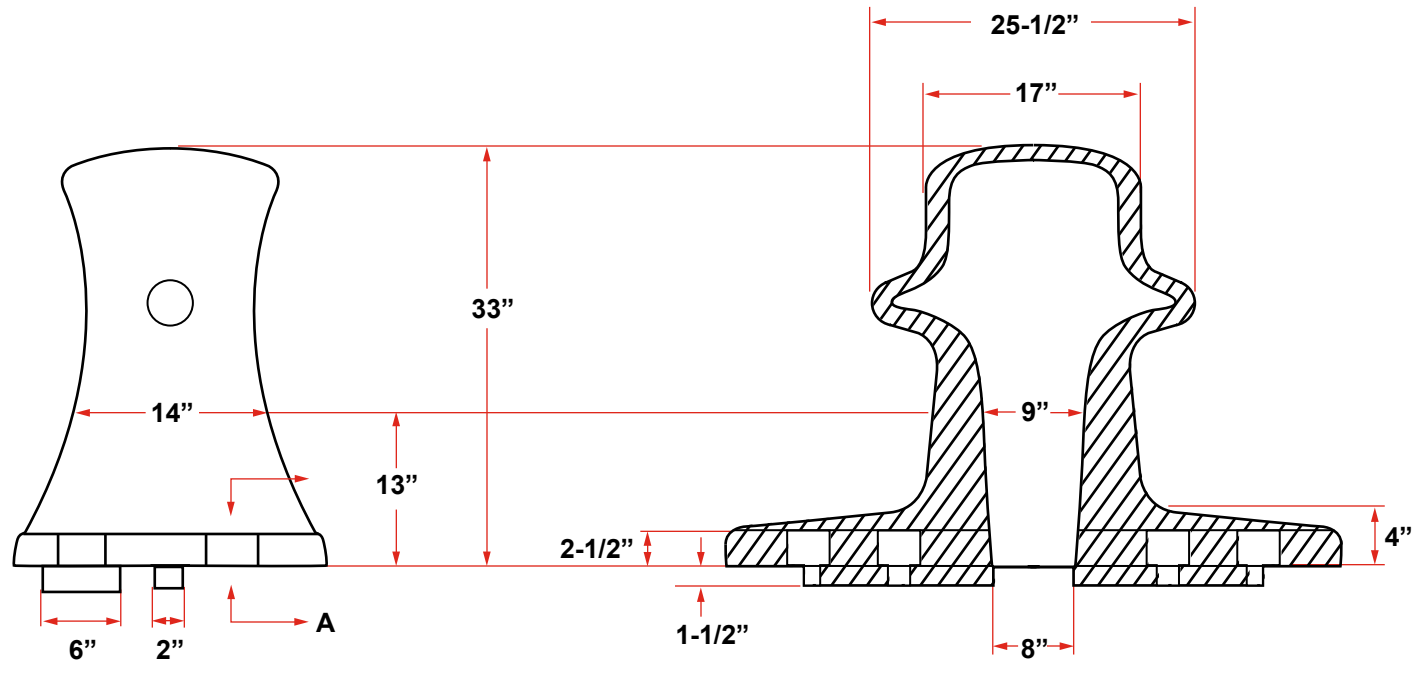
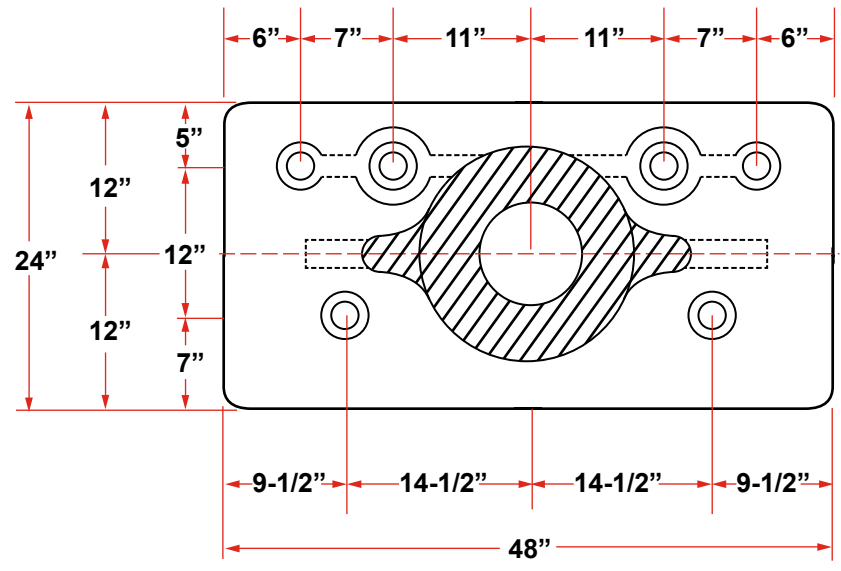


80 TON BOLLARD AMB-80

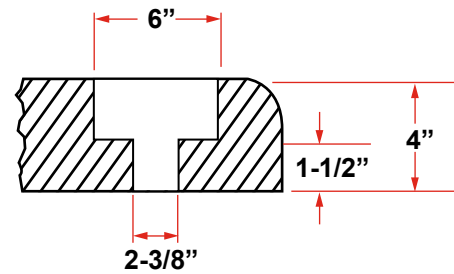
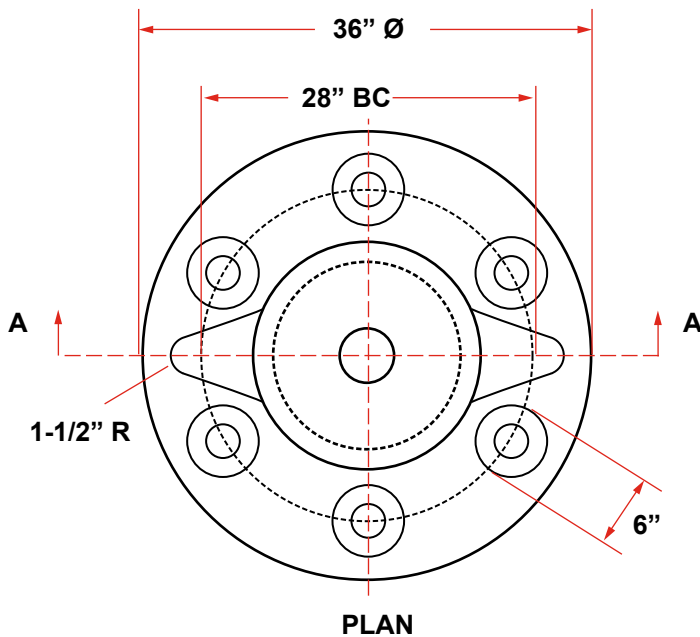
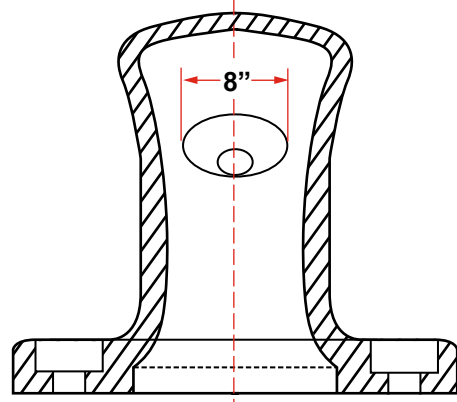
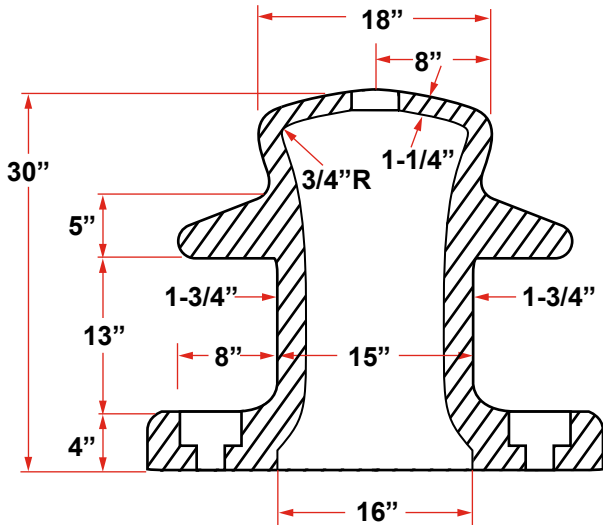
DOCK FITTINGS



2-1/4" Ø CORE FOR
 2" Ø BOLT

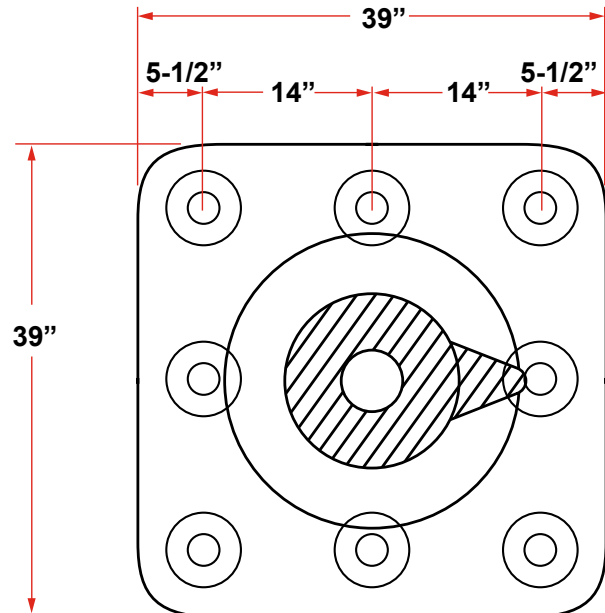
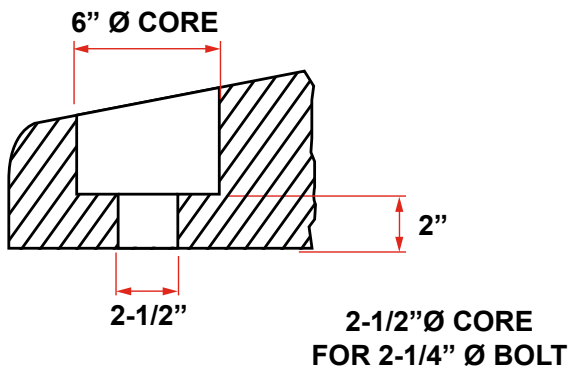
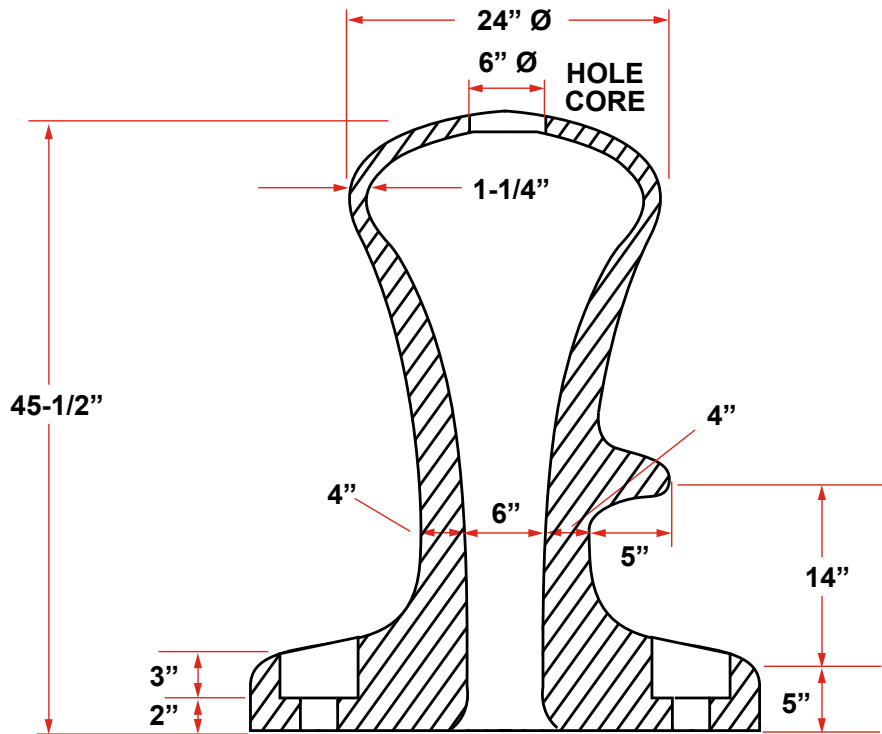


90 TON BOLLARD AMB-90

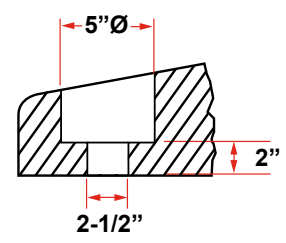
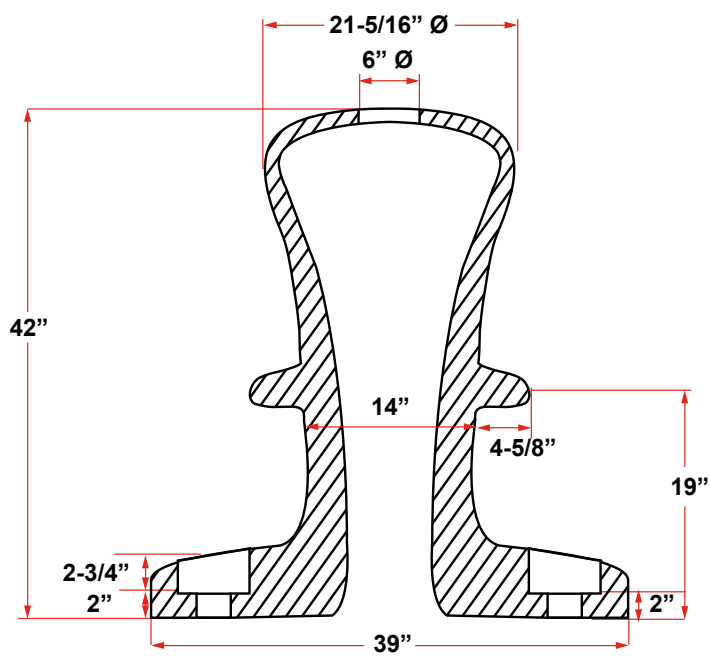
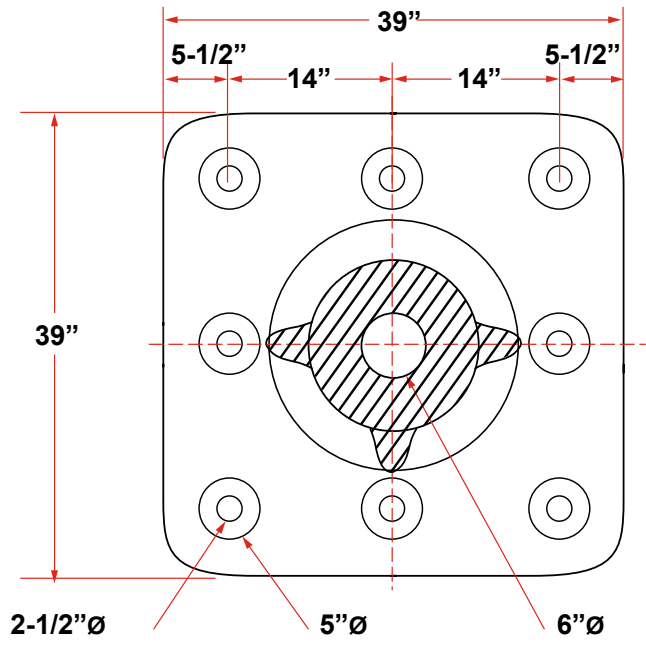


**2-3/8" Ø CORE FOR
2-1/4" Ø BOLT**

**100 TON BOLLARD
AMB-100**

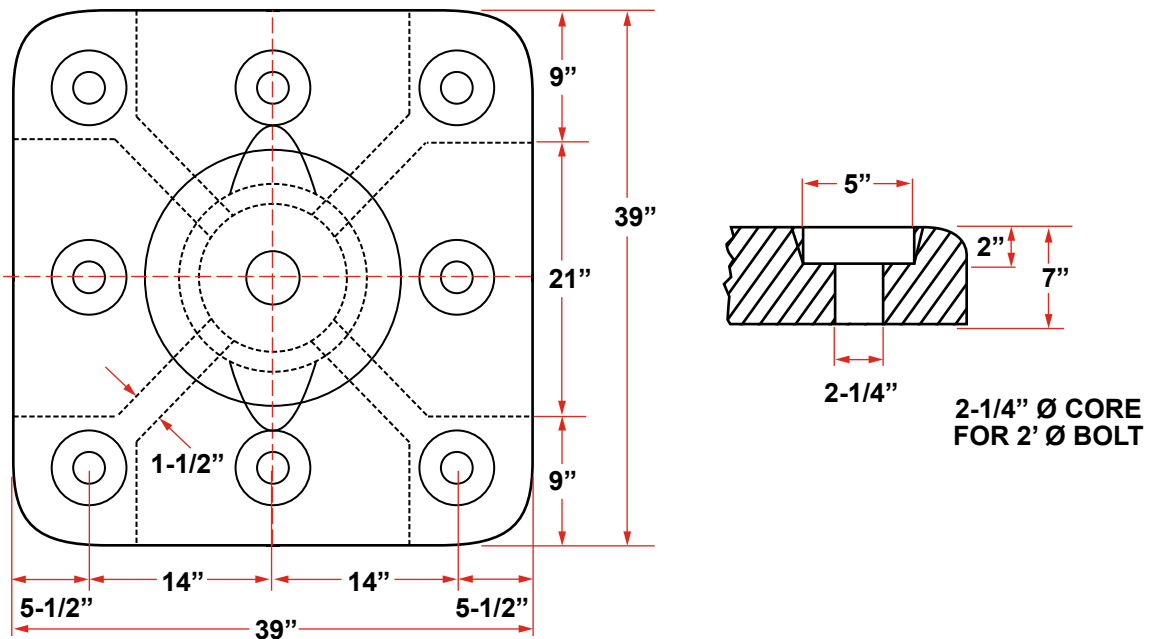
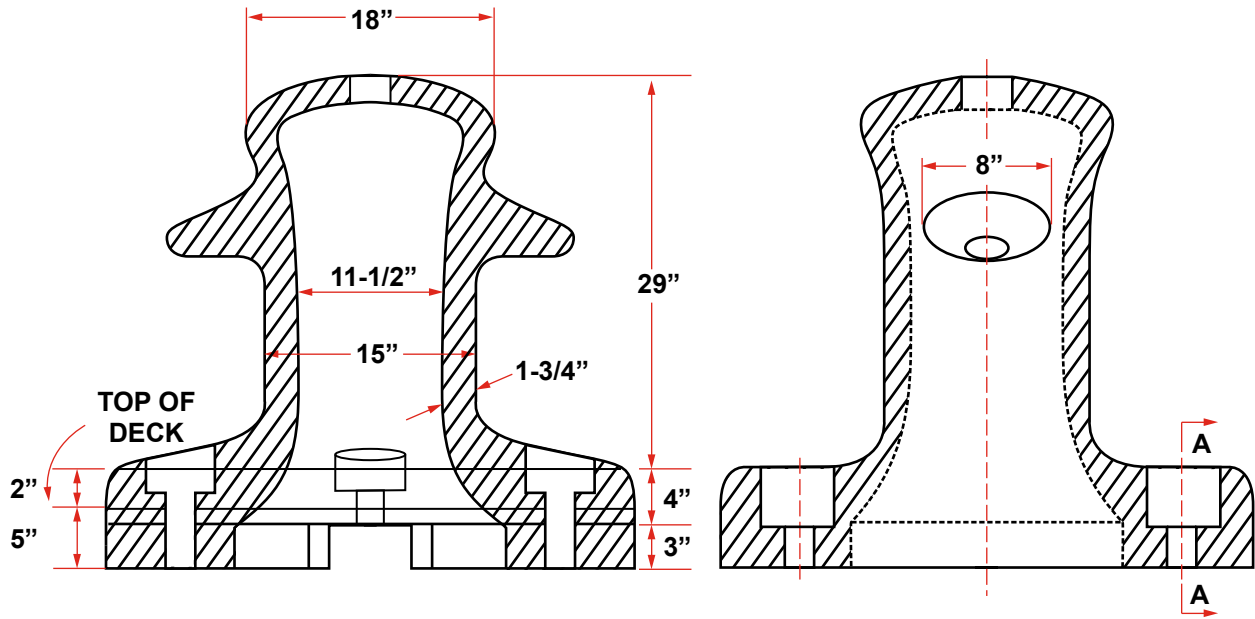


100 TON BOLLARD AMB-100A

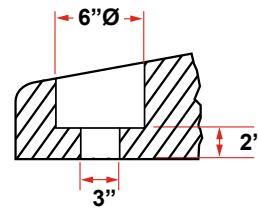
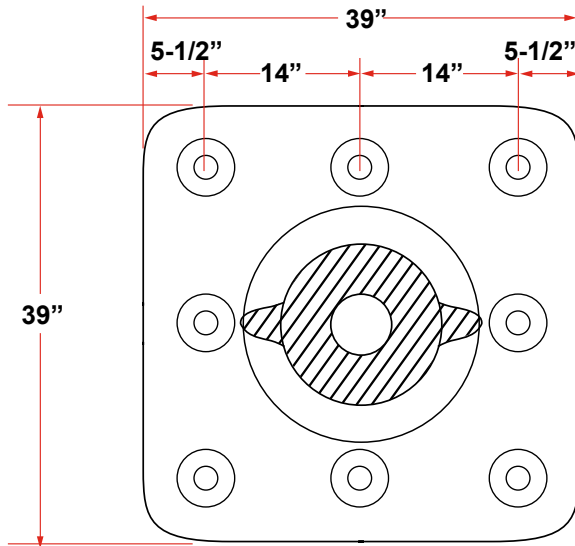


2 1/2" Ø CORE FOR
2-1/4" Ø BOLT

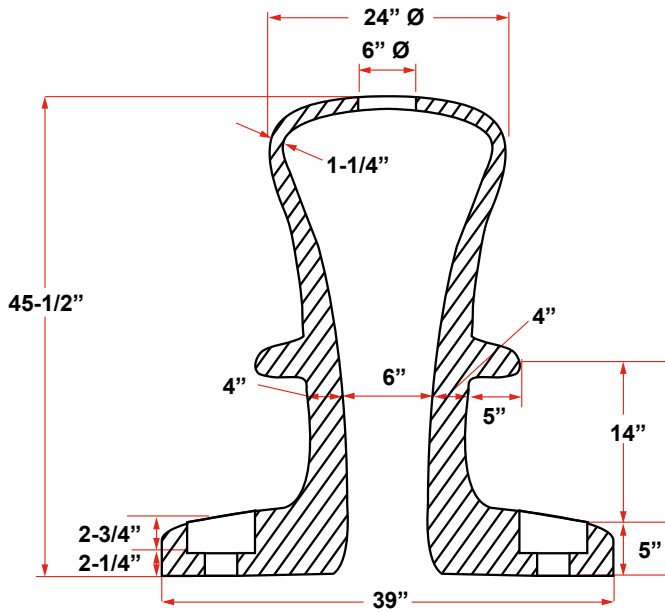
**100 TON BOLLARD
AMB-100B**



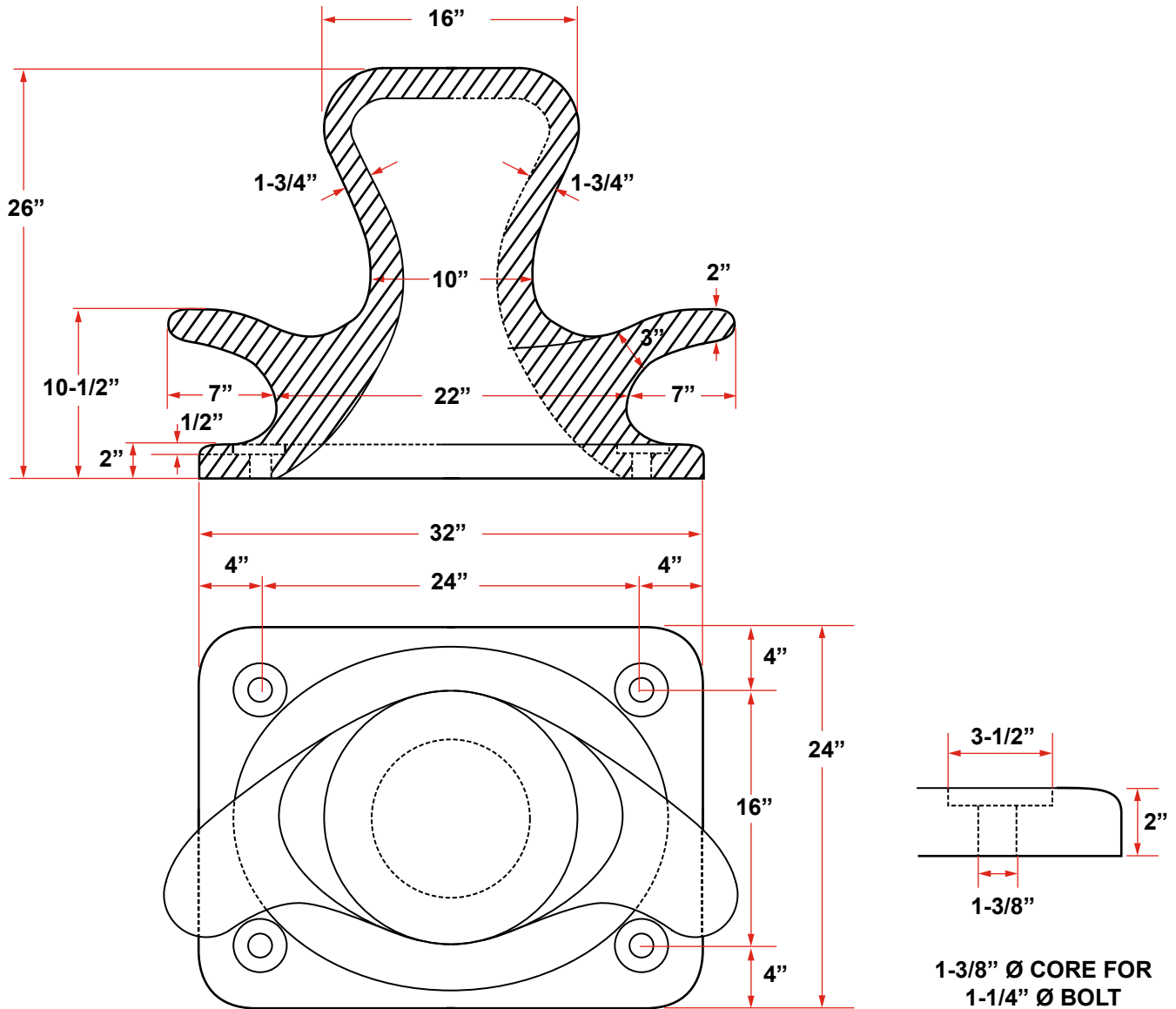
125 TON BOLLARD AMB-125



3" Ø CORE FOR
 2-3/4" Ø BOLT

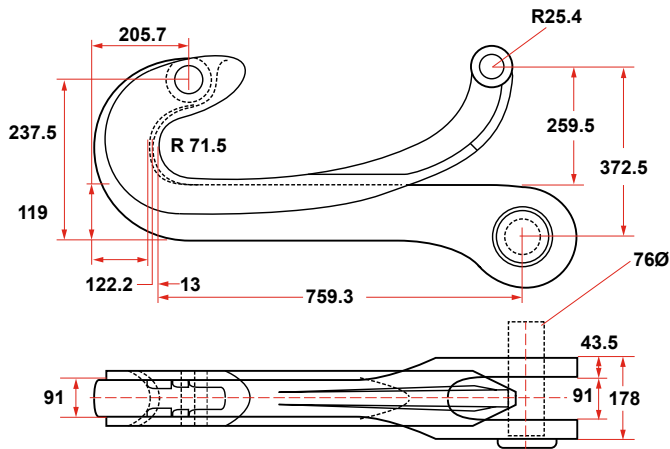


**150 TON BOLLARD
 AMB-150**

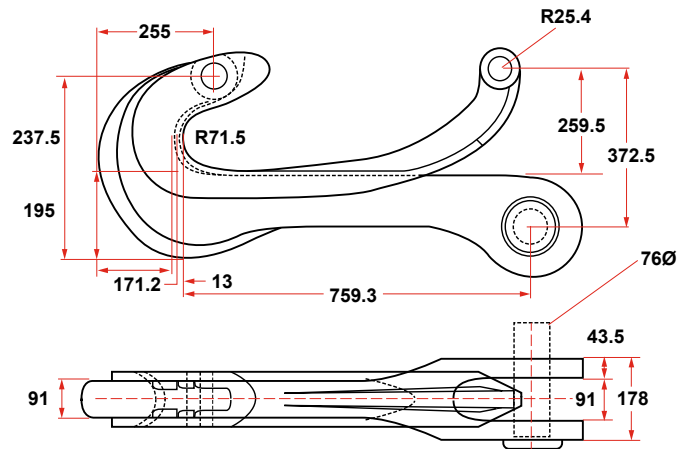


MOORING BITT MB-10.2432

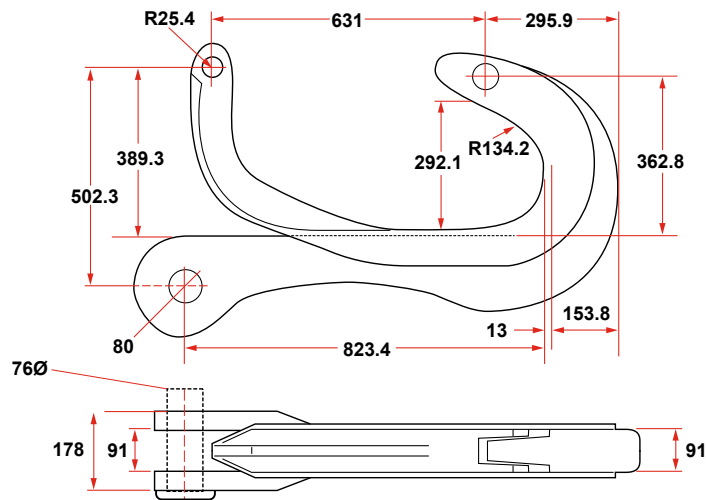
QUICK RELEASE BUOY HOOK WITH ABS CERTIFICATION



**300,000 LBS PROOF LOAD
WEIGHT: 357 LBS**

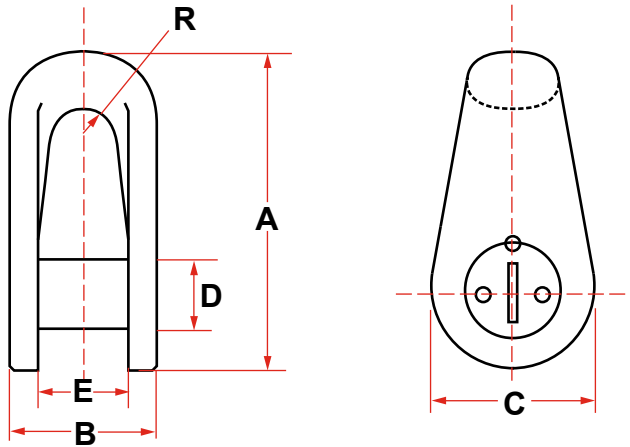


**400,000 LBS PROOF LOAD
WEIGHT: 410 LBS**



**400,000 LBS PROOF LOAD WIDEMOUTH
WEIGHT: 502 LBS**

SEA-LINK MOORING SHACKLES

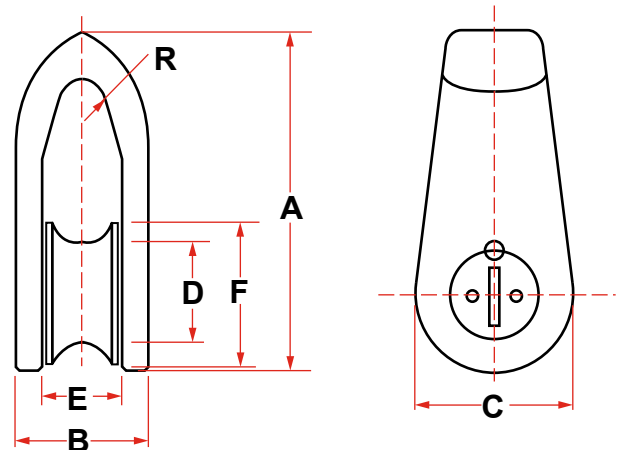


TONSBERG TYPE (PIN STYLE)

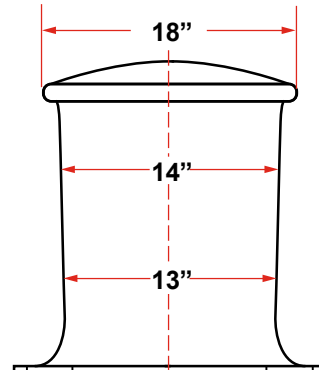
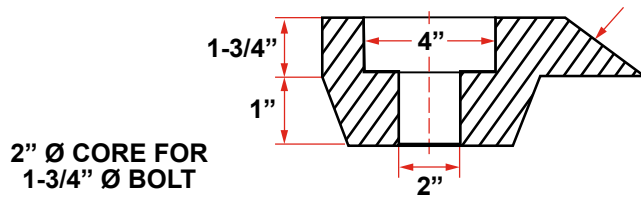
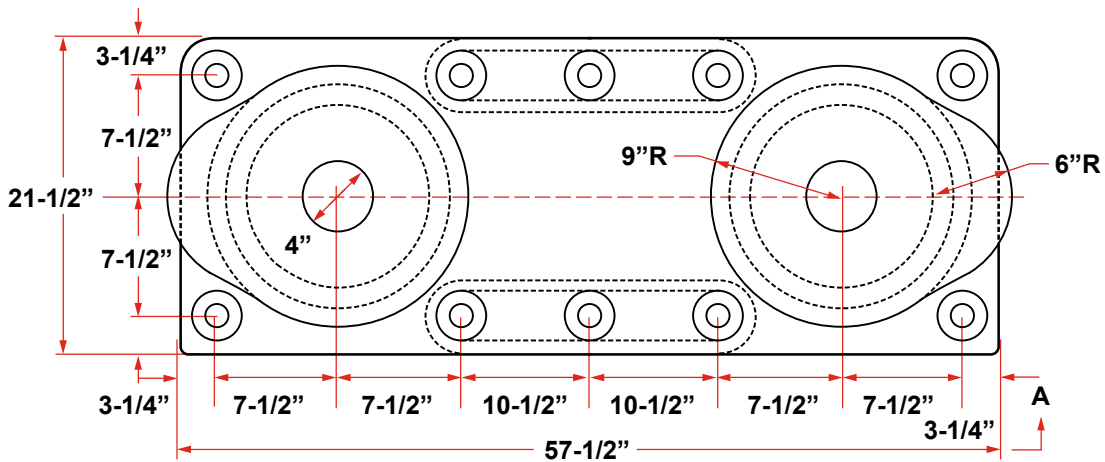
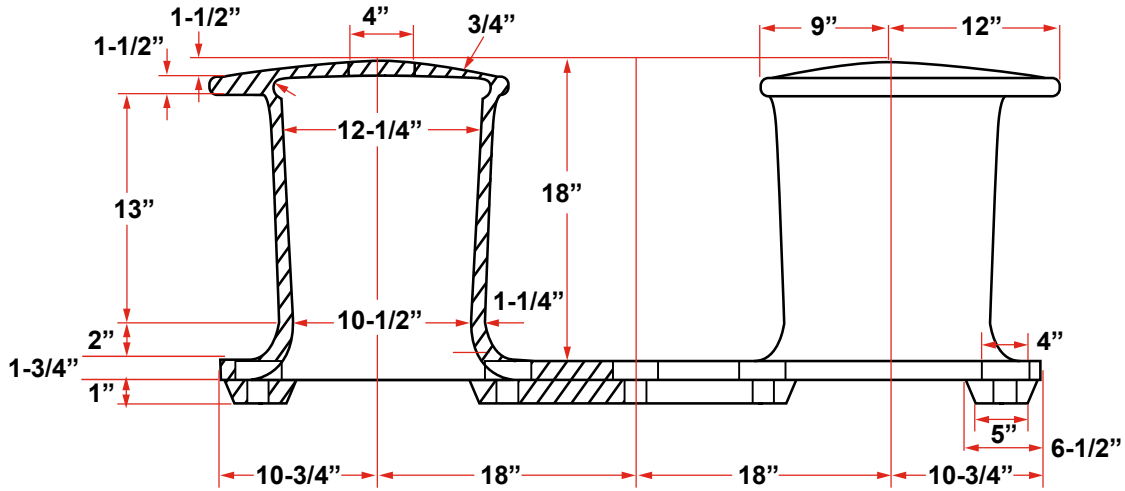
MODEL	90T	120T	180T
Forerunner Circ. (inches)	7-9	9-11	11-15
A (mm)	285	324	350
B (mm)	115	142	184
C (mm)	136	150	160
D (mm)	65	75	85
E (mm)	75	90	120
R (mm)	22	28	30
Breaking Load (M. Tons)	90	120	180
Proof Load (M. Tons)	55	70	95
Safe Working Load (M. Tons)	30	40	60
Weight	11.2 KG (25 Lbs)	16.9 KG (37 Lbs)	25 KG (55 Lbs)

MANDAL TYPE (ROLLER STYLE)

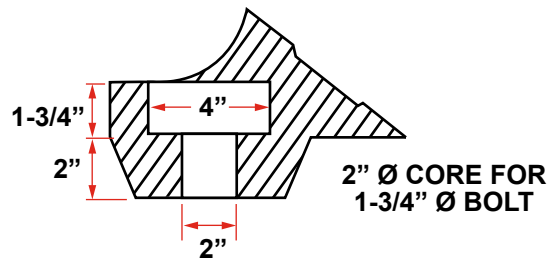
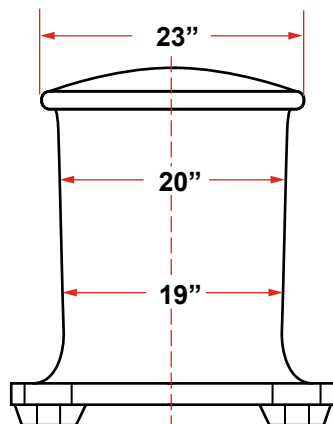
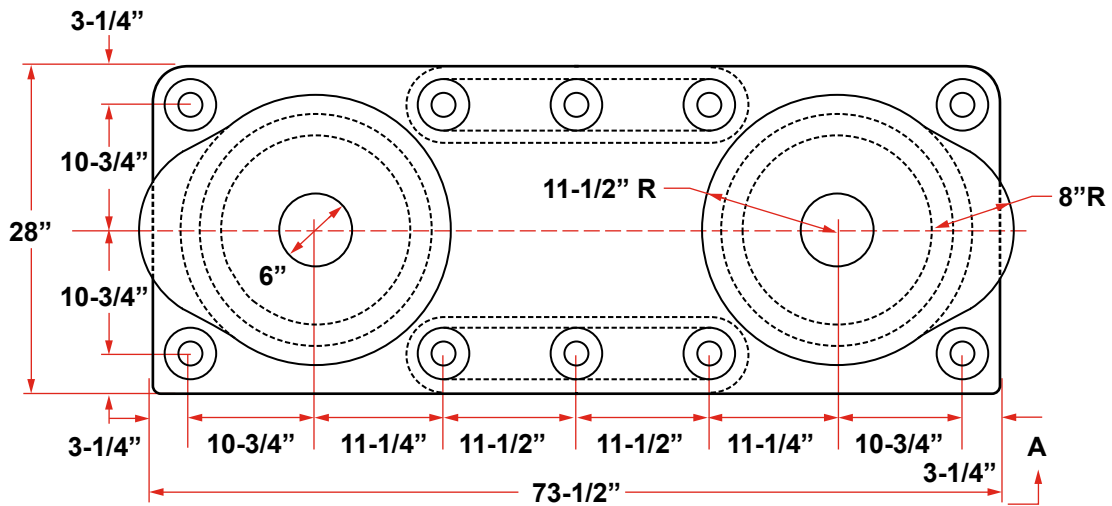
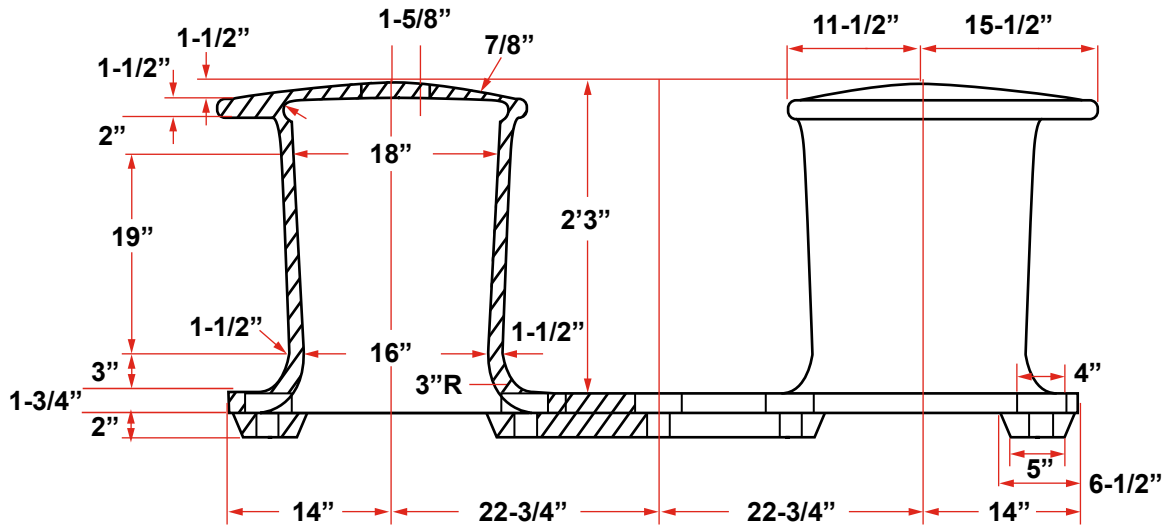
MODEL	90M	120M
Forerunner Circ. (inches)	6-9	9-11
A (mm)	255	310
B (mm)	97	121
C (mm)	120	130
D (mm)	65	82
E (mm)	67	90
F (mm)	100	128
R (mm)	34	45
Breaking Load (M. Tons)	90	120
Proof Load (M. Tons)	55	70
Safe Working Load (M. Tons)	30	40
Weight	7.8 KG (17.2 Lbs)	13.3 KG (29 Lbs)



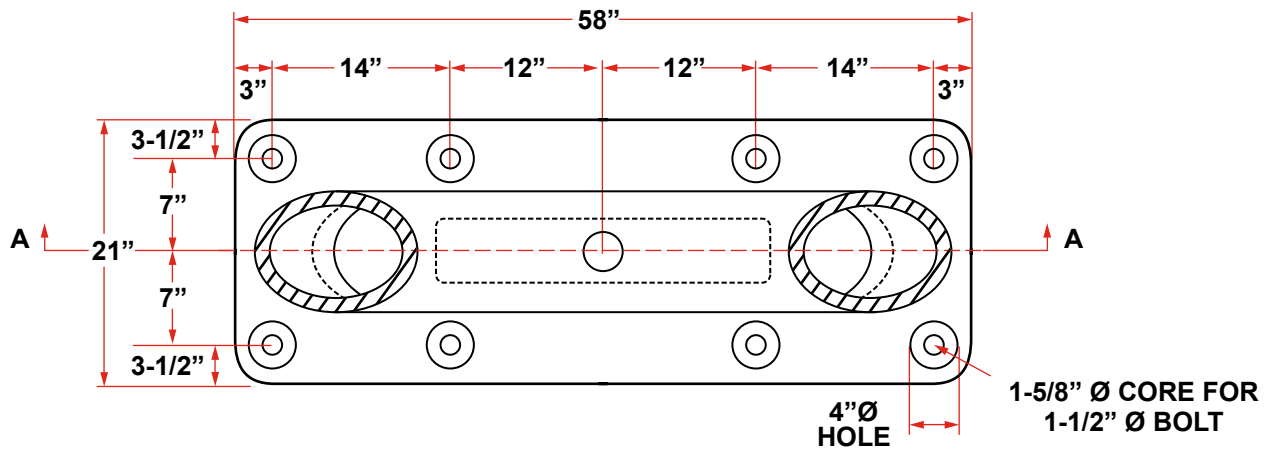
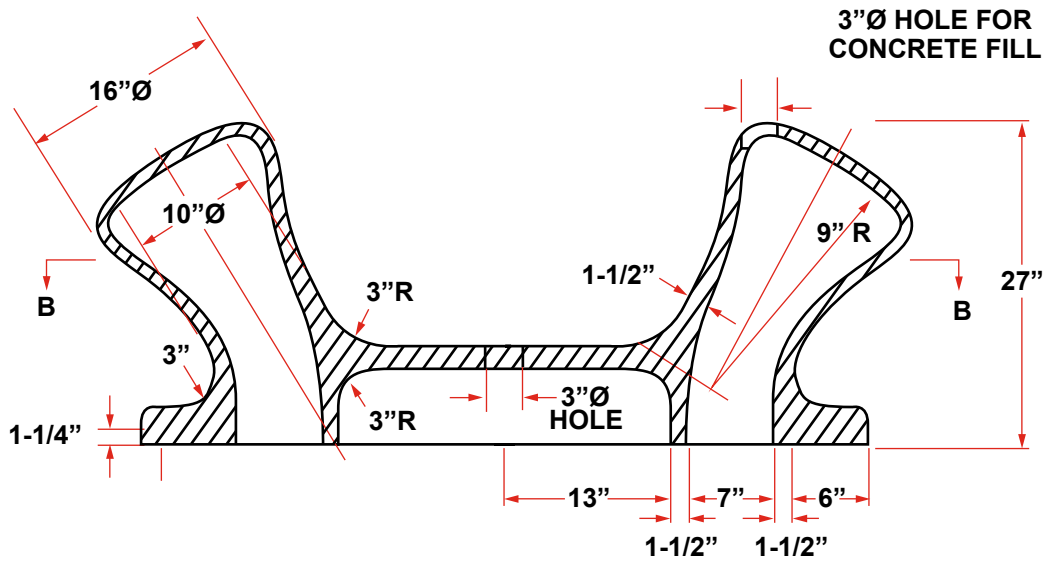
**FACTORY CERTIFICATES INCLUDED
WITH EVERY "SEA-LINK" MOORING
SHACKLE**



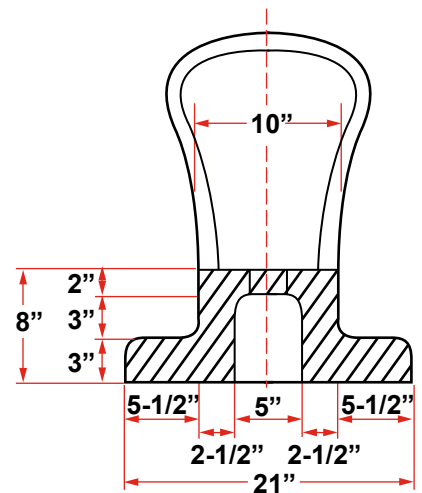
**30 TON DOUBLE BITT
AMDB-30**

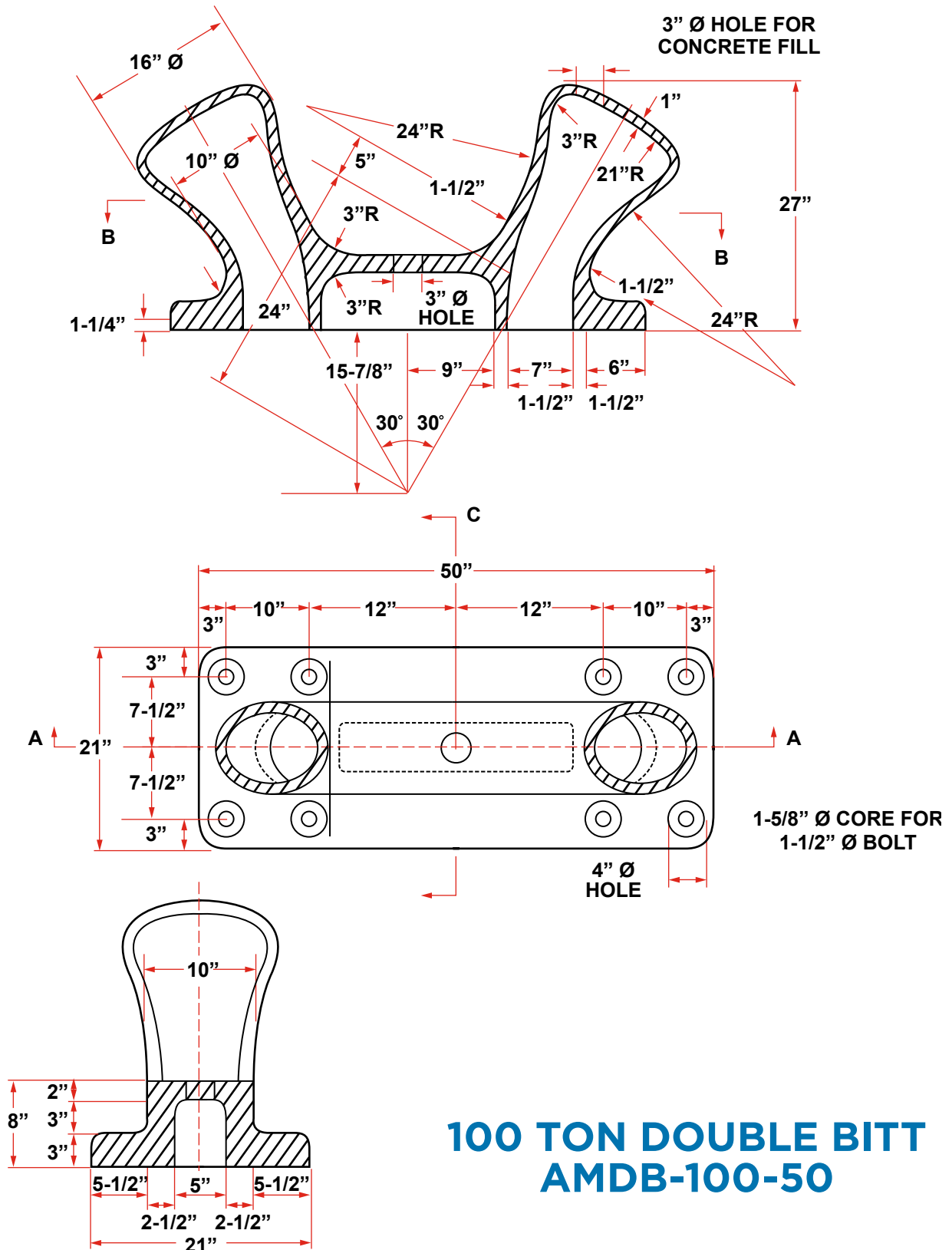


100 TON DOUBLE BITT AMDB-100

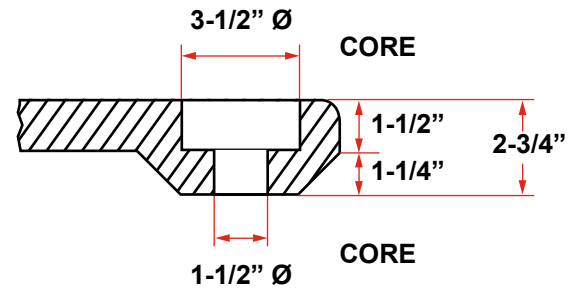
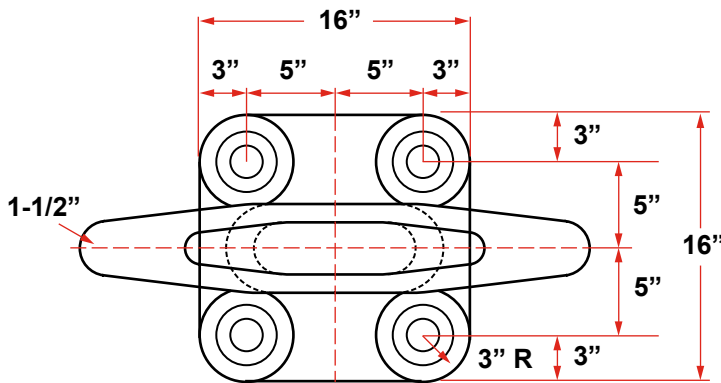
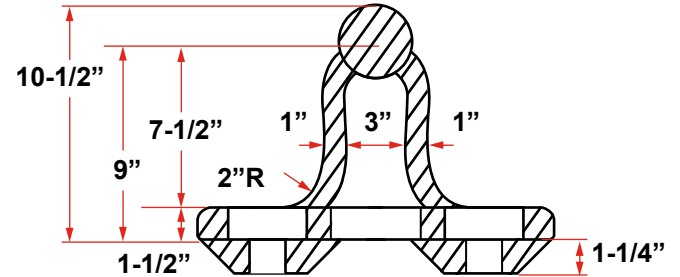
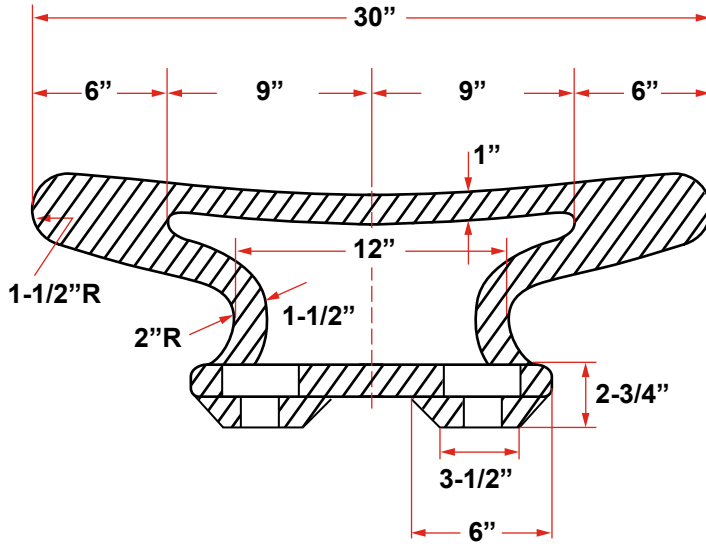


100 TON DOUBLE BITT AMDB-100-58



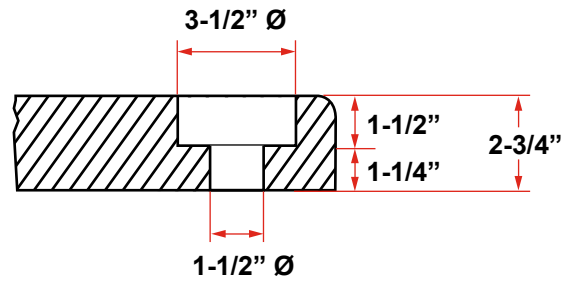
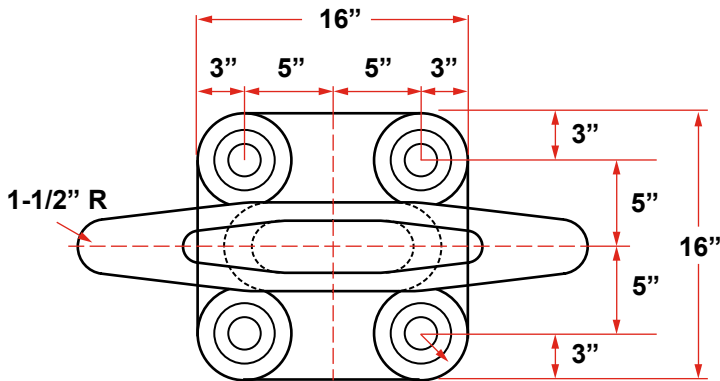
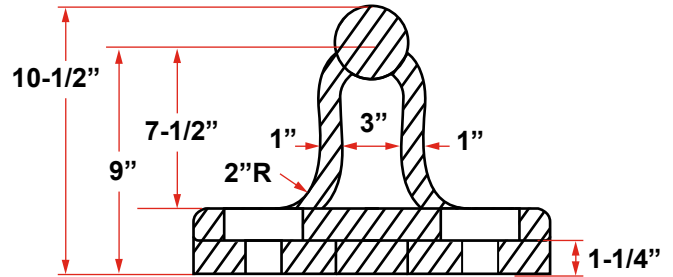
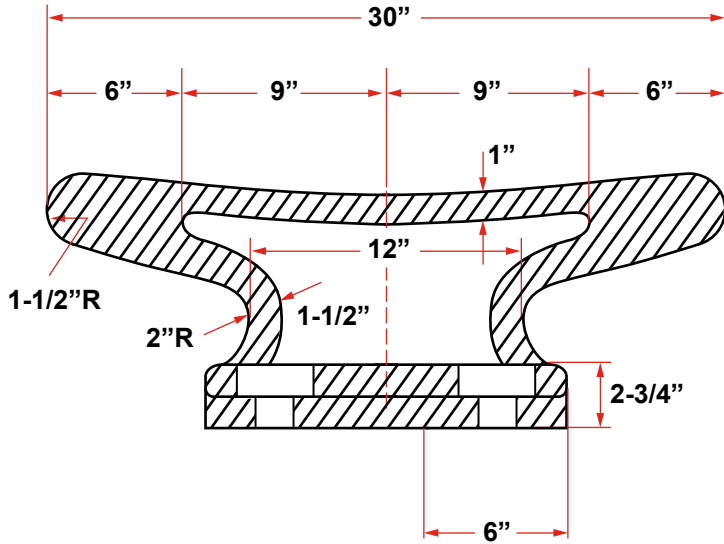


100 TON DOUBLE BITT AMDB-100-50



1-1/2" Ø CORE FOR
1-1/4" Ø BOLT

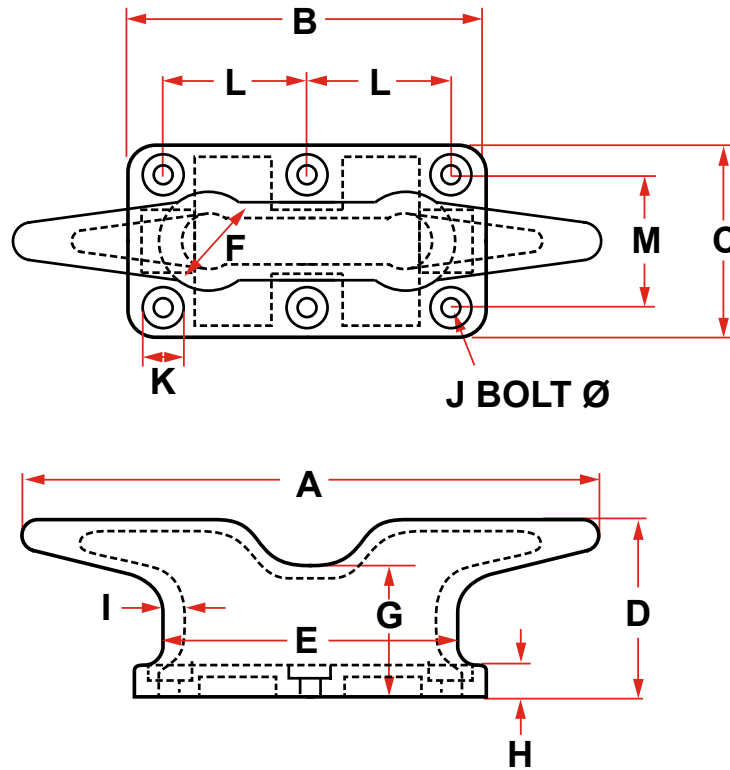
10 TON CLEAT AMC-10A



1-1/2" Ø CORE FOR
1-1/4" Ø BOLT

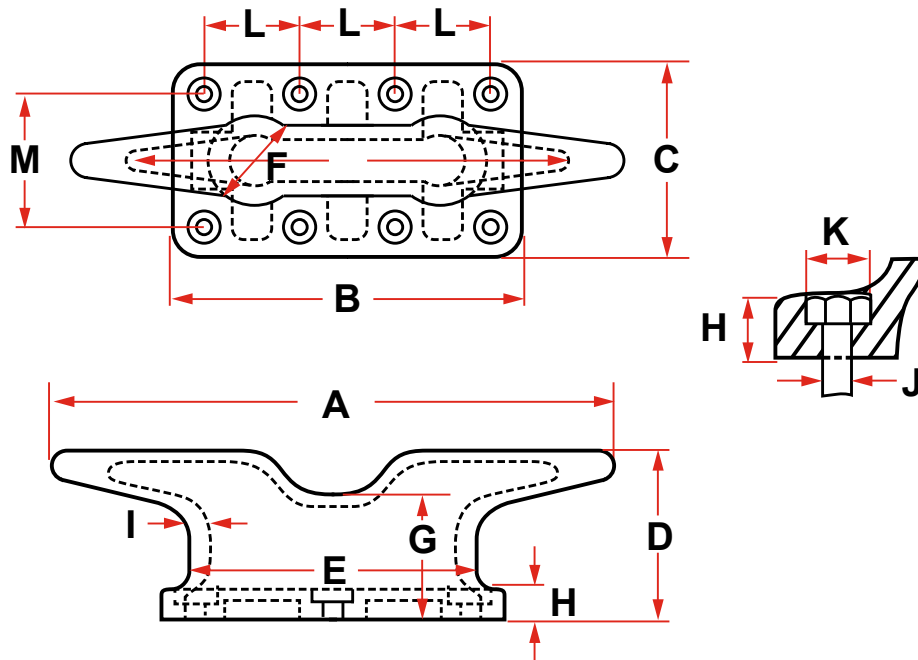
10 TON CLEAT AMC-10

AMCH 6-BOLT CLEATS



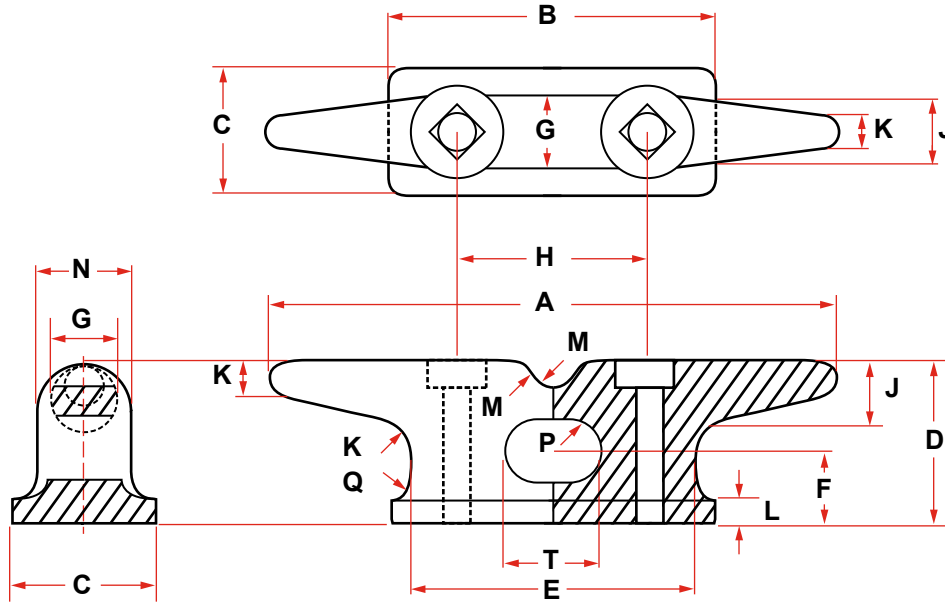
DIMENSIONS (INCHES)													
	A	B	C	D	E	F	G	H	I	J	K	L	M
AMCH-16	16	10-1/2	7-1/2	5	8	2-3/4	3-3/4	1-1/2	7/8	3/4	1-3/4	3-3/4	4-1/2
AMCH-24	24	15-1/2	9-1/2	7-1/4	12	4	5-1/4	1-3/4	1-1/8	7/8	2	6	6
AMCH-30	30	19	11-1/4	8-7/8	15	5	6-3/8	2	1-1/4	1	2-1/4	7-1/2	7-1/4

AMCH 8-BOLT CLEATS



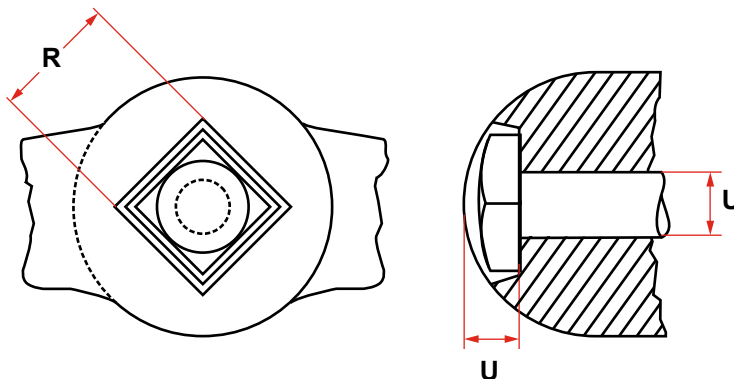
DIMENSIONS (INCHES)													
	A	B	C	D	E	F	G	H	I	J	K	L	M
AMCH-36	36	22-1/2	12-1/4	10-1/2	18	6	7-1/2	2	1-3/8	1	2-1/4	6-1/4	8-1/4
AMCH-42	42	26	14-1/4	13	21	7	8-5/8	2	1-1/2	1	2-1/4	7-1/2	9-1/4
AMCH-48	48	29-3/4	15-1/8	13-3/4	24	8	9-3/4	2-1/4	1-5/8	1-1/8	2-5/8	8-1/2	10-5/8
AMCH-54	54	33-1/2	16-3/4	16	27	8	12	2-1/2	1-5/8	1-3/8	2-3/4	9-1/2	11-3/4

AMC-200 SERIES 2-BOLT CLEATS



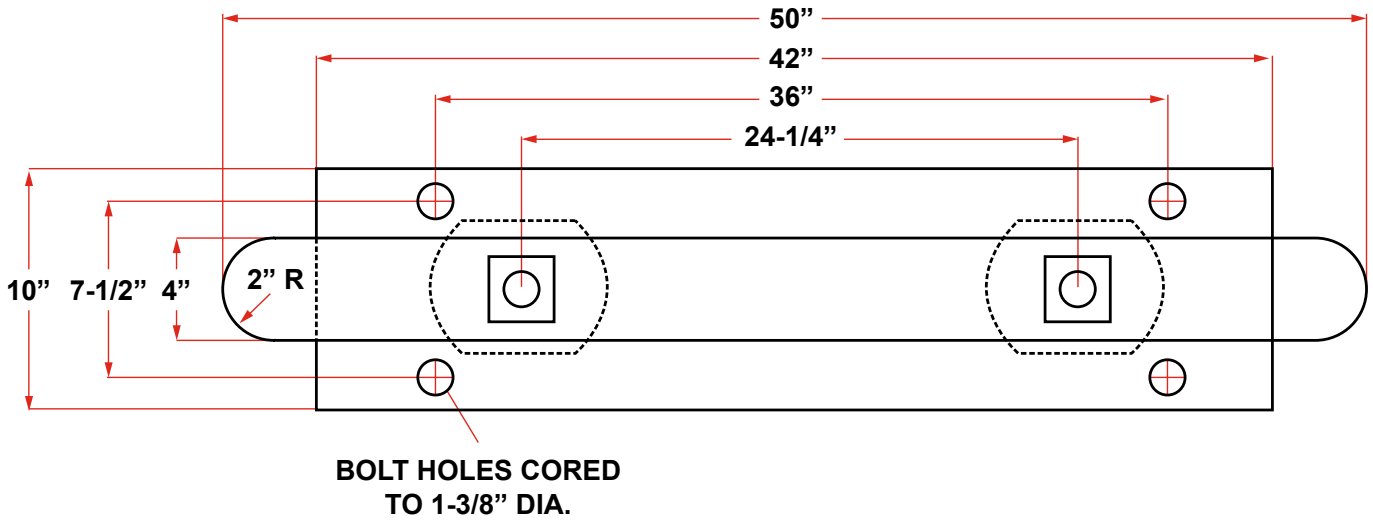
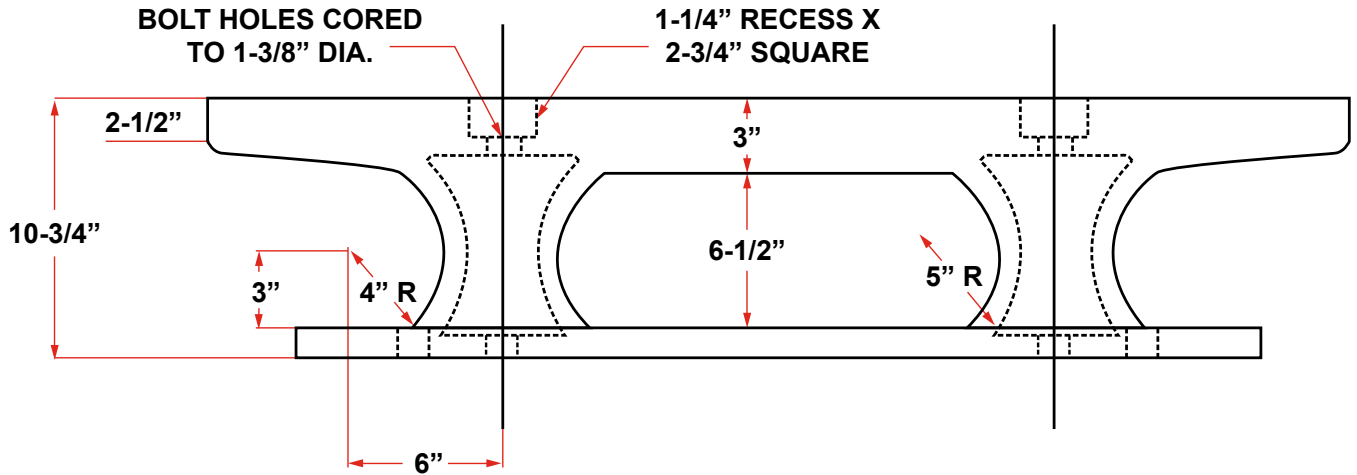
DIMENSIONS (INCHES)

	A	B	C	D	E	F	G	H	J	K	L	M	N	P	Q	R	T	U
AMC-216	16	9-1/2	3-5/8	4-1/8	8	1-1/2	2	5-1/4	1-3/4	7/8	5/8	3/4	2-3/4	1/2	7/16	1-3/8	2-1/2	3/4
AMC-220	20	11	4-1/2	5-3/8	10	2	2-1/2	6-5/8	2-1/4	1-1/8	3/4	7/8	3-3/8	3/4	9/16	1-9/16	3-1/4	7/8
AMC-224	24	13-1/2	5-3/8	6-3/8	12	2-1/2	3	8	2-3/4	1-3/8	7/8	1	4	1	11/16	1-3/4	4	1
AMC-227	27	15	6	7-3/8	13-1/2	3	3-3/8	9	3-1/8	1-9/16	1	1-1/8	4-1/2	1-1/4	13/16	1-15/16	4-1/2	1-1/8
AMC-230	30	17	6-3/4	8	15	3-1/2	3-3/4	10	3-1/2	1-3/4	1-1/8	1-1/4	5	1-1/2	7/8	2-1/8	5	1-1/4
AMC-233	33	19	7-3/8	9	16-1/2	4	4-7/8	11	3-3/4	1-7/8	1-1/4	1-3/8	5-1/2	1-3/4	15/16	2-3/8	5-1/2	1-3/8
AMC-236	36	21	8	9-7/8	18	4-1/2	4-1/2	12	4	2	1-3/8	1-1/2	6	2	1	2-5/8	6	1-1/2
AMC-242	42	24	9-3/8	11-5/8	21	5	5-1/4	14	4-3/4	2-3/8	1-1/2	1-3/4	7	2-1/4	1-3/16	2-7/8	7	1-3/4
AMC-248	48	27	10-3/4	13-1/8	24	5-1/2	6	16	5-1/2	2-3/4	1-5/8	2	8	2-1/2	1-3/8	3-3/8	8	2
AMC-254	54	30	12	14-3/4	27	6	6-3/4	18	6	3	1-3/4	2-1/4	9	2-3/4	1-1/2	3-3/4	9	2-1/4

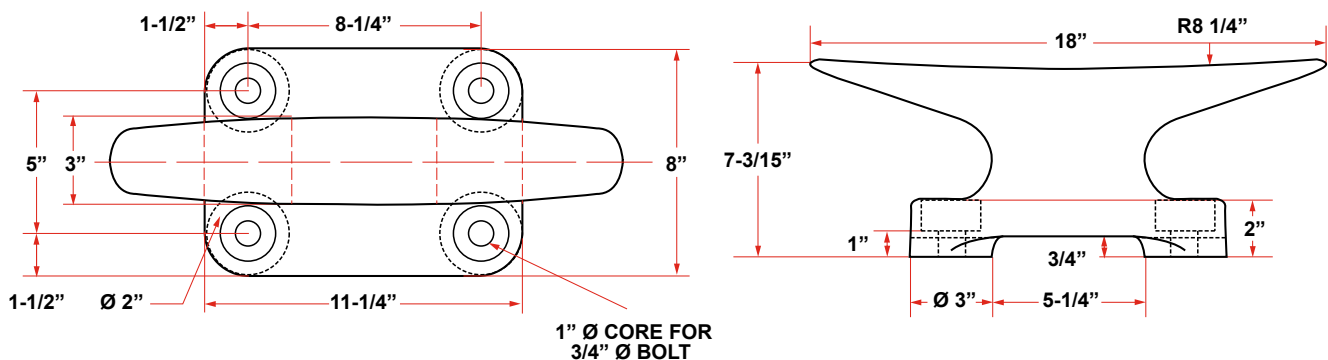
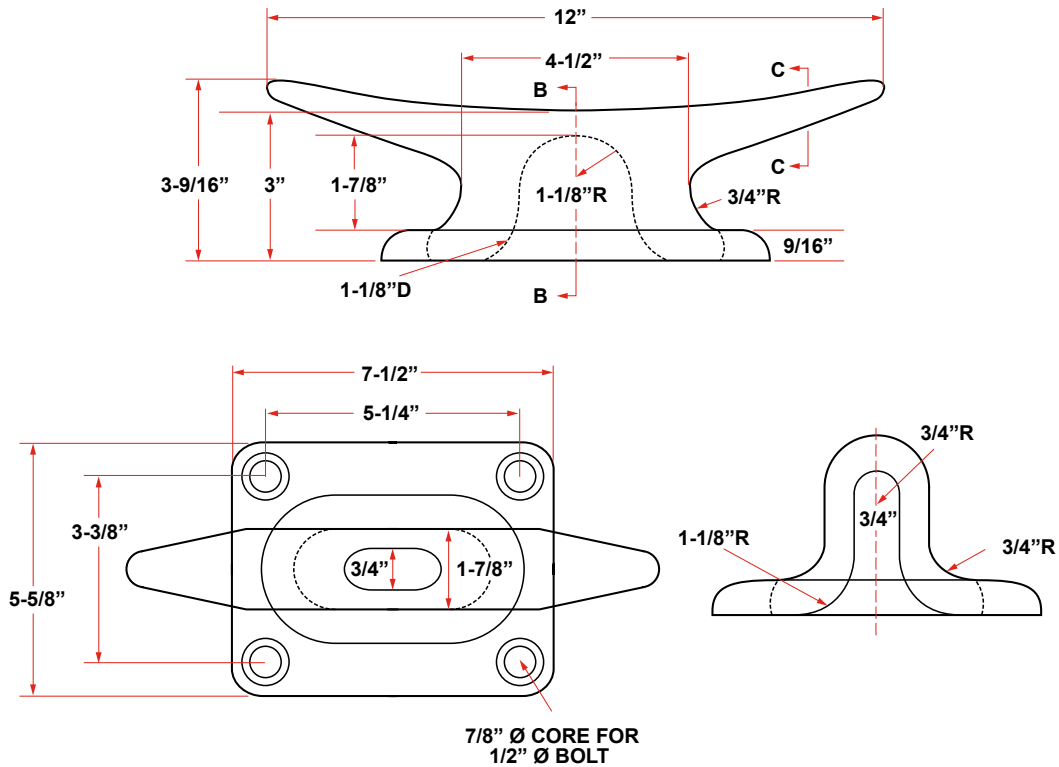


CLEAT AMC-216-254

AMC-50 CLEAT



12" STD. NAVY CLEAT



AMC-18 CLEAT