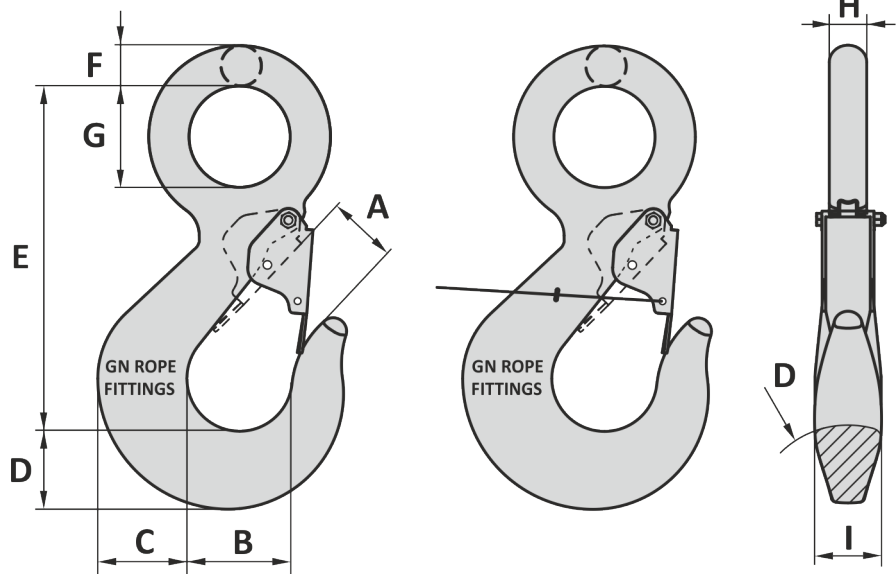
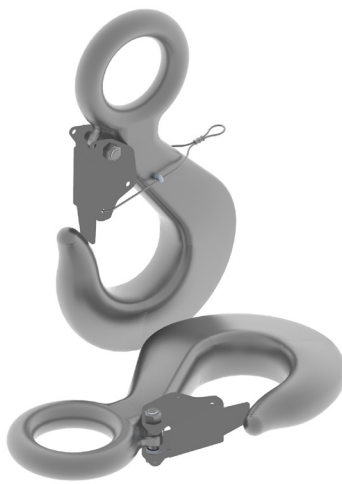


Material : Alloy steel  
 Safety factor : 4 times  
 Finish : Painted  
 Temperature range : -40°C up to +200°C, Polar Rated  
 Standard certification : Certificate of Conformity  
 3.1 material certificate EN 10204

Spare latches available on request

Standard hook with safety latch

ROV-hook



Art. No. standard	Art. No. ROV	Art. No. latch	WLL ton	A mm	B mm	C mm	D mm	E mm	F mm	G mm	H mm	I mm	Weight kg
51000008	51000009	53000003	8	42	62	54	49	187	23	51	23	37	3.6
51000012	51000013	53000010	11.5	48	75	68	60	230	29	64	29	43	6.7
51000016	51000017	53000022	16	56	84	76	67	255	33	70	33	52	9.7
51000020	51000021	53000018	22	74	110	93	80	320	41	89	41	64	17
51000028	51000029	53000023	28	75	111	99	85	354	38	95	38	63	19
51000031	51000032	53000031	31	86	124	109	95	389	43	100	43	70	26
51000040	51000041	53000030	40	98	139	121	106	457	48	130	48	80	37
51000050	51000051	53000035	50	113	157	139	120	495	54	130	54	89	52
51000063	51000064	53000036	63	124	175	155	134	565	60	150	60	99	73
51000080	51000081	53000037	80	137	197	172	149	690	67	170	67	110	106
51000100	51000101	53000137	100	155	225	200	177	725	79	175	79	125	158

Tolerance: Forged parts ± 5%, machined parts ± 1 mm

Art. No. standard	Art. No. ROV	Art. No. latch	WLL ton	A inch	B inch	C inch	D inch	E inch	F inch	G inch	H inch	I inch	Weight lbs
51000008	51000009	53000003	8	1 23/32	2 7/16	2 1/8	1 15/16	7 3/8	29/32	2	29/32	1 7/16	8.6
51000012	51000013	53000010	11.5	1 27/32	2 15/16	2 11/16	2 3/8	9 1/16	1 1/8	2 1/2	1 1/8	1 11/16	16
51000016	51000017	53000022	16	2 5/32	3 3/16	3	2 5/8	10 1/32	1 5/16	2 3/4	1 5/16	2 1/16	22
51000020	51000021	53000018	22	2 29/32	4 5/16	3 19/32	3 5/32	12 19/32	1 5/8	3 1/2	1 5/8	2 1/2	42
51000028	51000029	53000023	28	2 29/32	4 13/32	3 25/32	3 1/4	13 15/16	1 13/32	3 3/4	1 13/32	2 15/32	37
51000031	51000032	53000031	31	3 11/32	4 15/16	4 3/16	3 5/8	15 5/16	1 9/16	3 15/16	1 9/16	2 3/4	51
51000040	51000041	53000030	40	3 25/32	5 1/2	4 21/32	4 1/16	18	1 25/32	5 1/8	1 25/32	3 5/32	75
51000050	51000051	53000035	50	4 3/8	6 7/32	5 5/16	4 9/16	19 1/2	2	5 1/8	2	3 1/2	108
51000063	51000064	53000036	63	4 27/32	6 15/16	5 15/16	5 1/8	22 1/4	2 3/16	5 29/32	2 3/16	3 29/32	139
51000080	51000081	53000037	80	5 11/32	7 13/16	6 5/8	5 23/32	27 5/32	2 15/32	6 11/16	2 15/32	4 5/16	218
51000100	51000101	53000137	100	6 1/32	8 7/8	7 11/16	6 25/32	28 5/16	2 29/32	6 7/8	2 29/32	4 15/16	353

Tolerance: Forged parts ± 5%, machined parts ± 1/32 inch

17-06-2022

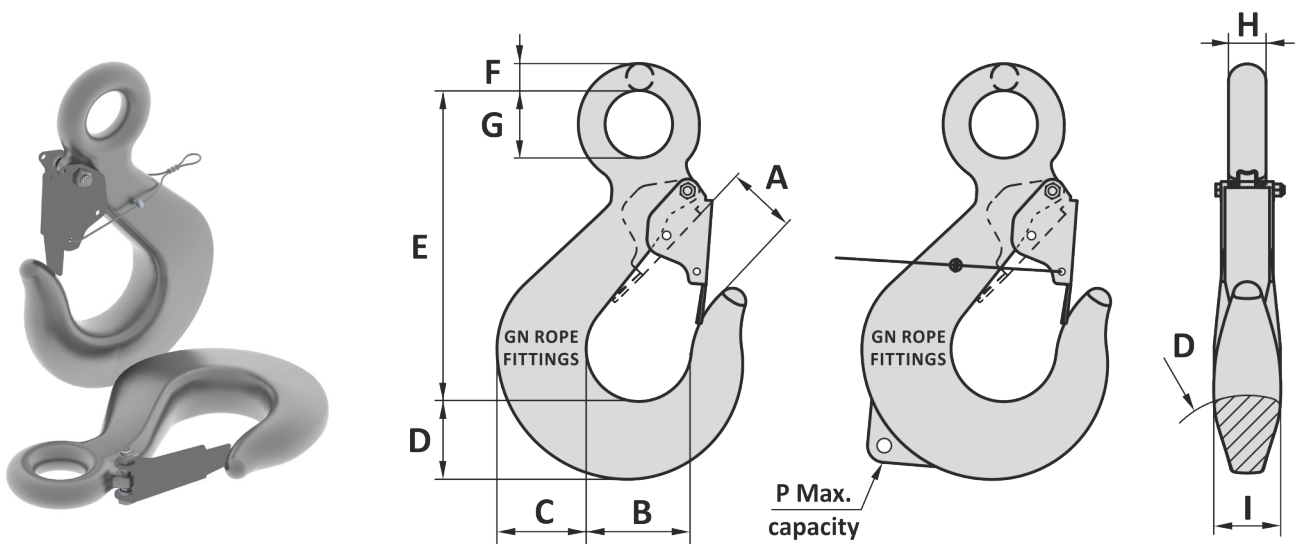
GENERAL SHACKLES THIMBLES SOCKETS LINKS SWIVELS HOOKS MOORING OTHERS

**Material** : Alloy steel  
**Safety factor** : 4 times  
**Standards** : DIN 7540  
**Finish** : Painted  
**Temperature range** : -40°F up to +392°F, Polar Rated  
**Standard certification** : Certificate of Conformity  
 3.1 material certificate EN 10204

Spare latches available on request

Standard hook with safety latch

ROV-hook



\* Standard hooks from WLL 250 ton will supplied with a handling padeye with maximum capacity P, hooks WLL 100 ≤ 200 ton on request

Art. No. standard	Art. No. ROV	Art. No. latch	WLL ton	A inch	B inch	C inch	D inch	E inch	F inch	G inch	H inch	I inch	P ton	Weight lbs
45001009	45001010	45001007	8	1 1/16	2 7/16	2 1/8	1 13/16	6 27/32	2 5/32	1 1/4	2 5/32	1 3/8		6.4
45001013	45001014	45001011	12.5	2 1/16	3 1/8	2 23/32	2 3/8	8 5/8	1 1/32	1 1/16	1 1/32	1 25/32		13
45001017	45001018	45001019	16	2 5/16	3 15/32	2 15/16	2 1/2	9 11/16	1 3/32	1 13/16	1 3/32	1 31/32		18
45001021	45001022	45001023	20	2 1/2	3 3/8	3 3/16	3	10 29/32	1 11/32	2	1 11/32	2 3/16		26
45001029	45001030	45001027	28	2 29/32	4 3/8	3 29/32	3 11/32	12 5/16	1 1/2	2 3/16	1 1/2	2 15/32		37
45001032	45001033	45001034	31	3 3/32	4 15/16	4 5/32	3 11/16	13 3/4	1 11/16	2 3/16	1 11/16	2 3/4		55
45001041	45001042	45001034	40	3 29/32	5 15/32	4 3/4	4 3/16	15 9/32	1 27/32	2 2/32	1 27/32	3 1/32		75
45001051	45001051	45001053	50	4 3/16	6 3/16	5 15/32	4 23/32	17 13/32	2 1/8	3 3/16	2 1/8	3 1/2		108
45001064	45001065	45001066	63	4 3/4	6 7/8	6 3/32	5 9/32	19 7/16	2 3/8	3 3/16	2 3/8	3 29/32		148
45001081	45001082	45001079	80	5 3/16	7 3/4	6 25/32	5 7/8	24	2 5/8	4	2 5/8	4 1/16		218
45001101	45001102	45001103	100	6 1/16	8 7/8	7 7/8	6 31/32	25 19/32	3 3/8	4 3/16	3 3/8	4 15/16		326
51000150	51000151	53000039	150	7 1/8	9 27/32	9 1/16	8	30 1/8	3 19/32	5 1/8	3 19/32	6 5/16		542
51000200	51000201	53000041	200	8 3/16	10 13/16	10 7/16	9 7/16	33 15/32	4 7/32	5 29/32	4 7/32	7 3/32		820
51000250	51000251	53000044	250	9 3/16	12 3/16	11 21/32	10 13/16	36 17/32	4 31/32	6 11/16	4 31/32	7 7/8	9.5	1171
51000300	51000301	53000042	300	10 3/8	13 25/32	13 1/4	12 15/32	41 13/32	5 25/32	7 15/32	5 25/32	8 21/32	12	1717
51000400	51000401	53010400	400	11 15/16	15 3/4	15 5/32	13 3/8	47 1/16	6 27/32	8 1/4	6 27/32	9 1/16	17	2522
51000500	51000501	53010400	500	14 1/16	17 23/32	16 1/8	15 11/32	53 3/16	7 7/8	8 15/32	7 7/8	12 19/32	17	4057

Tolerance: Forged parts ± 5%, machined parts ± 1/32 inch

11-11-2021

GENERAL SHACKLES THIMBLES SOCKETS LINKS SWIVELS HOOKS MOORING OTHERS

Material : Alloy steel  
 Safety factor : 4 times  
 Standards : DIN 7540  
 Finish : Painted  
 Temperature range : -40°C up to +200°C, Polar Rated  
 Standard certification : Certificate of Conformity  
 3.1 material certificate EN 10204

Spare latches available on request

GENERAL

SHACKLES

THIMBLES

SOCKETS

LINKS

SWIVELS

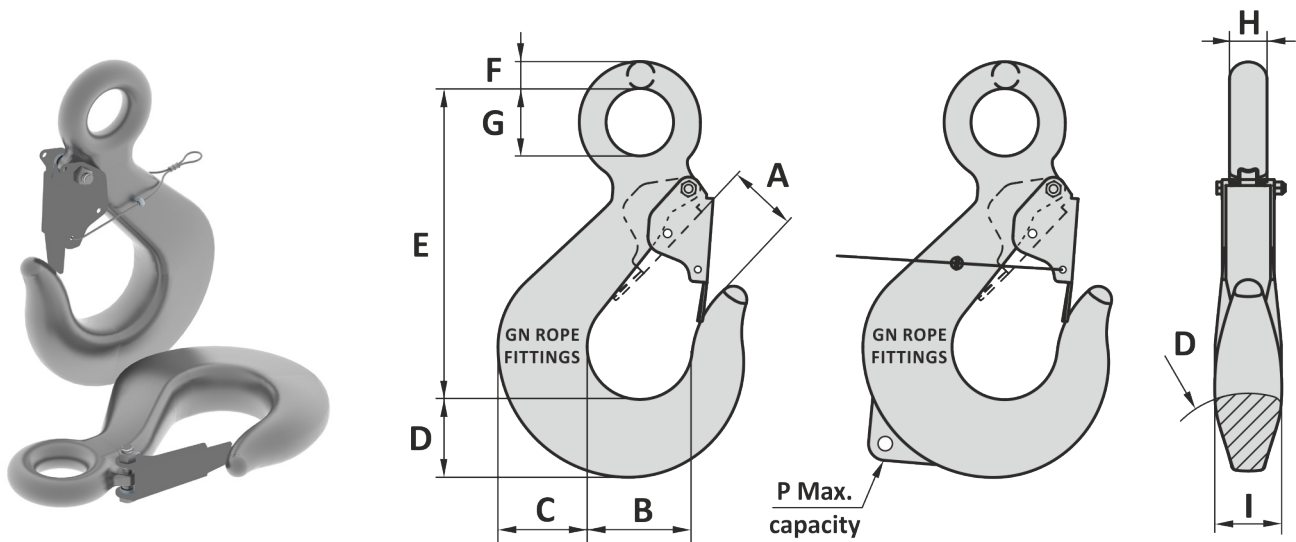
HOOKS

MOORING

OTHERS

Standard hook with safety latch

ROV-hook



\* Standard hooks from WLL 250 ton will supplied with a handling padeye with maximum capacity P, hooks WLL 100 ≤ 200 ton on request

Art. No. standard	Art. No. ROV	Art. No. latch	WLL ton	A mm	B mm	C mm	D mm	E mm	F mm	G mm	H mm	I mm	P ton	Weight kg
45001009	45001010	45001007	8	40	62	54	46	174	20	32	20	35		2.9
45001013	45001014	45001011	12.5	52	79	69	60	219	26	40	26	45		6.1
45001017	45001018	45001019	16	59	88	75	64	246	28	46	28	50		8.1
45001021	45001022	45001023	20	64	98	87	76	277	34	51	34	56		12
45001029	45001030	45001027	28	74	111	99	85	313	38	59	38	63		17
45001032	45001033	45001034	31	82	125	109	94	349	43	65	43	70		25
45001041	45001042	45001034	40	99	139	121	106	388	47	72	47	80		34
45001051	45001051	45001053	50	110	157	139	120	442	54	84	54	89		49
45001064	45001065	45001066	63	121	175	155	134	494	60	90	60	99		67
45001081	45001082	45001079	80	132	197	172	149	610	67	102	67	110		99
45001101	45001102	45001103	100	154	225	200	177	650	79	116	79	125		148
51000150	51000151	53000039	150	181	250	230	203	765	91	130	91	160		246
51000200	51000201	53000041	200	208	275	265	240	850	107	150	107	180		372
51000250	51000251	53000044	250	233	310	296	275	928	126	170	126	200	9.5	531
51000300	51000301	53000042	300	264	350	337	317	1052	147	190	147	220	12	779
51000400	51000401	53010400	400	303	400	388	352	1195	174	210	174	240	17	1144
51000500	51000501	53010400	500	370	450	410	390	1360	200	215	200	320	17	1840

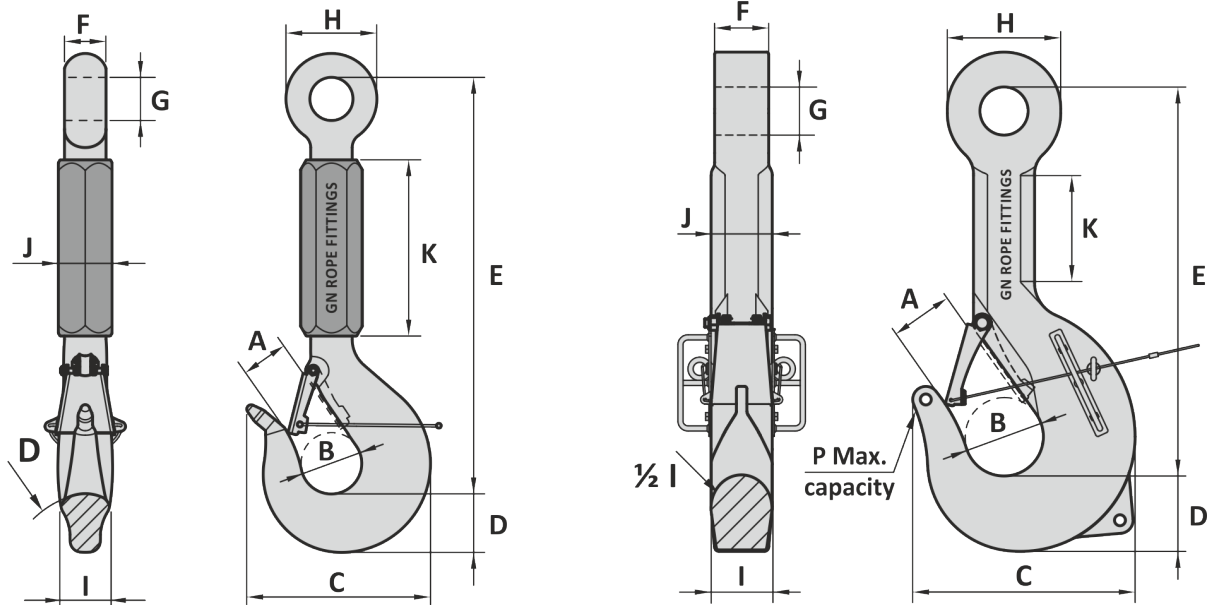
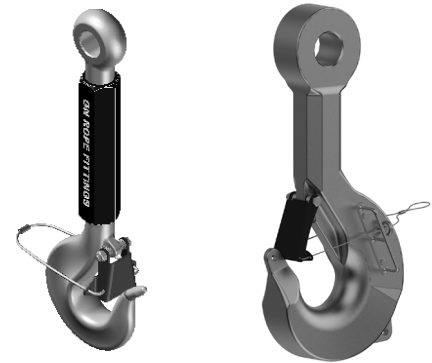
Tolerance: Forged parts ± 5%, machined parts ± 1 mm

11-11-2021

GENERAL  
SHACKLES  
THIMBLES  
SOCKETS  
LINKS  
SWIVELS  
HOOKS  
MOORING  
OTHERS

Material : Alloy steel  
 Safety factor : 4 times  
 Finish : Painted  
 Temperature range : -40°F up to +392°F, Polar Rated  
 Standard certification : Certificate of Conformity  
 3.1 material certificate EN 10204

Spare latches available on request



Type for hook WLL 40 ton ≤ WLL 80 ton

Type for hook WLL 100 ton ≤ WLL 400 ton

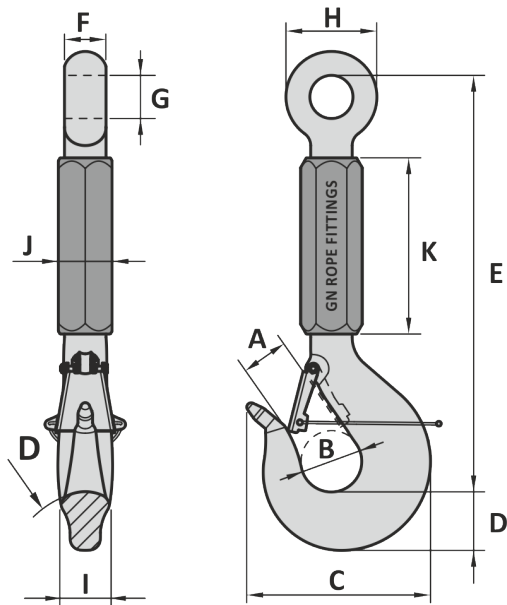
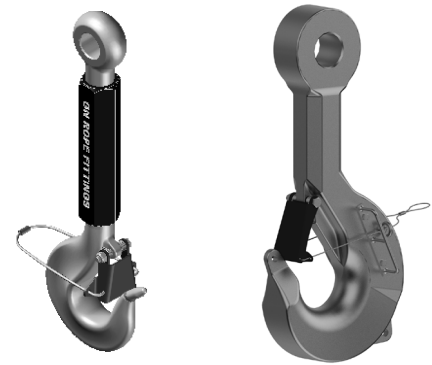
Art. No.	WLL ton	A inch	B inch	C inch	D inch	E inch	F inch	G inch	H inch	I inch	J inch	K inch	P ton	Weight lbs
53000040	42.5	2 23/32	3 15/16	12 7/16	3 3/4	30 23/32	2 3/4	2 3/4	5 29/32	2 15/16	3 11/32	13		104
53000050	55	3 3/16	4 13/32	13 1/2	4 3/16	31 13/16	3 5/32	3 1/16	6 3/8	3 11/32	3 15/16	13 25/32		137
53000063	63	3 19/32	4 15/16	14 13/16	4 21/32	37 13/32	3 11/32	3 3/8	7 3/32	3 3/4	4 5/16	14 3/16		194
53000080	85	4 3/32	5 1/2	16 7/16	5 3/16	35 5/32	3 15/16	3 3/8	7 7/8	4 3/16	4 23/32	11 13/32		245
53000100	100	5 1/2	6 7/8	18 19/32	5 29/32	32 23/32	4 5/16	3 15/16	8 21/32	4 23/32	4 23/32	9 7/16	4.75	392
53000125	125	5 23/32	7 3/32	20 1/32	6 11/16	35 1/32	4 7/8	4 5/16	10 1/4	5 1/2	5 1/2	9 7/16	4.75	549
53000160	160	6 3/16	7 15/32	24 3/16	7 15/32	37 1/2	5 7/16	5 5/16	11 13/16	6 5/16	5 29/32	9 27/32	6.5	798
53000200	200	6 15/16	8 13/16	27 3/32	9 7/16	39 3/32	5 13/16	5 5/16	13 25/32	6 7/8	5 29/32	9 27/32	8.5	1093
53000250	250	7 5/8	9 27/32	30 23/32	10 1/16	41 27/32	6 7/8	5 23/32	14 9/16	7 7/8	6 5/16	9 27/32	8.5	1479
53000300	300	8 1/4	11 1/32	29 23/32	10 1/32	45 3/8	7 15/32	6 3/32	14 3/16	8 21/32	6 11/16	11 13/16	9.5	1742
53000400	400	9 5/32	12 13/32	33 21/32	12	49 9/16	8 3/4	7 5/32	16 17/32	9 7/16	7 15/32	11 13/16	9.5	2346

Tolerance: Forged parts ± 5%, machined parts ± 1/32 inch

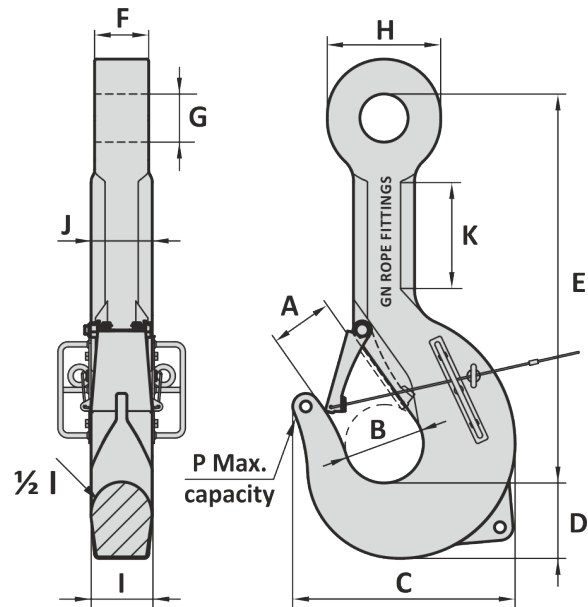
19-09-2023

Material : Alloy steel  
 Safety factor : 4 times  
 Finish : Painted  
 Temperature range : -40°C up to +200°C, Polar Rated  
 Standard certification : Certificate of Conformity  
 3.1 material certificate EN 10204

Spare latches available on request



Type for hook WLL 40 ton ≤ WLL 80 ton



Type for hook WLL 100 ton ≤ WLL 400 ton

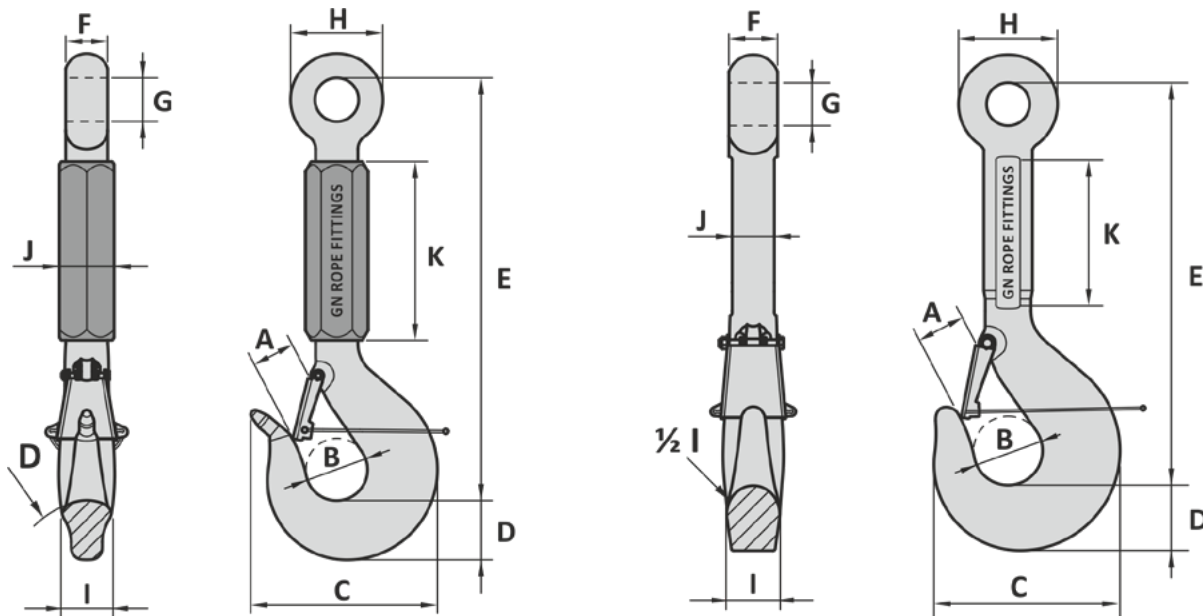
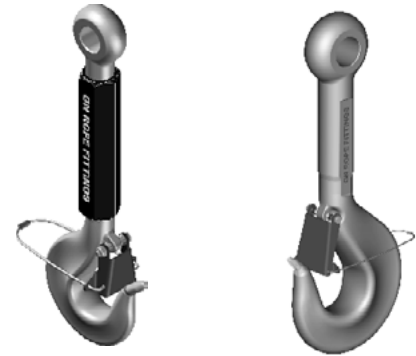
Art. No.	WLL ton	A mm	B mm	C mm	D mm	E mm	F mm	G mm	H mm	I mm	J mm	K mm	P ton	Weight kg
53000040	42.5	69	100	316	95	780	70	70	150	75	85	330		47
53000050	55	81	112	343	106	808	80	78	162	85	100	350		62
53000063	63	91	125	376	118	950	85	86	180	95	110	360		92
53000080	85	104	140	418	132	893	100	86	200	106	120	290		111
53000100	100	140	175	472	150	831	110	100	228	120	120	240	4.75	178
53000125	125	145	180	509	170	890	124	110	260	140	140	240	4.75	249
53000160	160	157	190	614	190	953	138	135	300	160	150	250	6.5	362
53000200	200	176	224	688	230	998	148	135	350	175	150	250	8.5	496
53000250	250	194	250	780	256	1063	175	145	370	200	160	250	8.5	671
53000300	300	210	280	755	255	1153	190	155	360	220	170	300	9.5	790
53000400	400	234	315	855	305	1253	210	185	420	240	190	300	9.5	1064

Tolerance: Forged parts ± 5%, machined parts ± 1 mm

25-09-2023

Material : Alloy steel  
 Safety factor : 4 times  
 Finish : Painted  
 Temperature range : -40°F up to +392°F, Polar Rated  
 Standard certification : Certificate of Conformity  
 3.1 material certificate EN 10204

Spare latches available on request



Type for hook WLL 5.4 ton ≤ WLL 80 ton

Type for hook WLL 100 ton ≤ WLL 400 ton

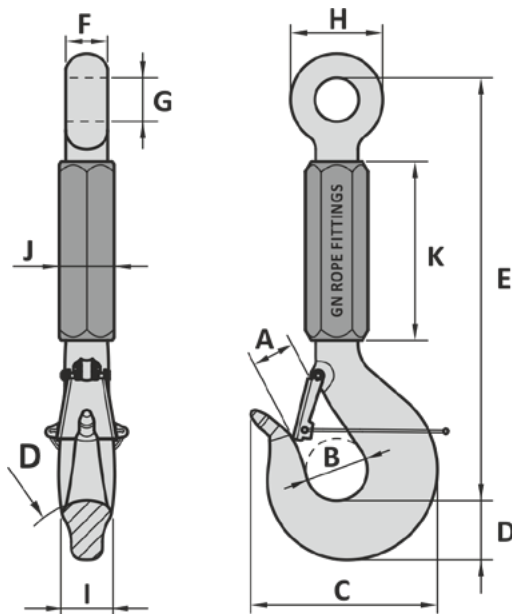
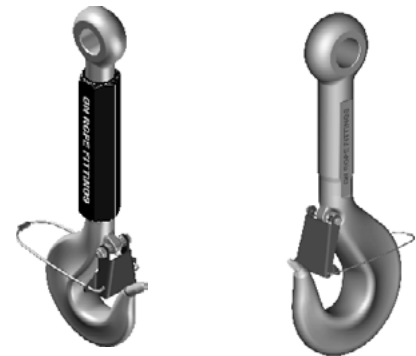
Art. No.	WLL ton	MBL ton	A inch	B inch	C inch	D inch	E inch	F inch	G inch	H inch	I inch	J inch	K inch	Weight lbs
53000040	40	160	2 <sup>23</sup> / <sub>32</sub>	3 <sup>15</sup> / <sub>16</sub>	12 <sup>7</sup> / <sub>16</sub>	3 <sup>3</sup> / <sub>4</sub>	32 <sup>1</sup> / <sub>2</sub>	2 <sup>3</sup> / <sub>4</sub>	2 <sup>3</sup> / <sub>4</sub>	5 <sup>29</sup> / <sub>32</sub>	2 <sup>15</sup> / <sub>16</sub>	3 <sup>1</sup> / <sub>2</sub>	13	104
53000050	50	200	3	4 <sup>13</sup> / <sub>32</sub>	13 <sup>1</sup> / <sub>2</sub>	4 <sup>7</sup> / <sub>16</sub>	33 <sup>19</sup> / <sub>32</sub>	3 <sup>5</sup> / <sub>32</sub>	3 <sup>1</sup> / <sub>16</sub>	6 <sup>3</sup> / <sub>8</sub>	3 <sup>11</sup> / <sub>32</sub>	3 <sup>15</sup> / <sub>16</sub>	13 <sup>25</sup> / <sub>32</sub>	137
53000063	63	252	3 <sup>3</sup> / <sub>16</sub>	4 <sup>15</sup> / <sub>16</sub>	14 <sup>13</sup> / <sub>16</sub>	4 <sup>2</sup> / <sub>32</sub>	39 <sup>3</sup> / <sub>8</sub>	3 <sup>11</sup> / <sub>32</sub>	3 <sup>3</sup> / <sub>8</sub>	7 <sup>3</sup> / <sub>32</sub>	3 <sup>3</sup> / <sub>4</sub>	4 <sup>5</sup> / <sub>16</sub>	14 <sup>3</sup> / <sub>16</sub>	194
53000080	80	320	3 <sup>13</sup> / <sub>16</sub>	5 <sup>1</sup> / <sub>2</sub>	16 <sup>7</sup> / <sub>16</sub>	5 <sup>3</sup> / <sub>16</sub>	37 <sup>19</sup> / <sub>32</sub>	3 <sup>15</sup> / <sub>16</sub>	3 <sup>3</sup> / <sub>8</sub>	7 <sup>7</sup> / <sub>8</sub>	4 <sup>3</sup> / <sub>16</sub>	4 <sup>23</sup> / <sub>32</sub>	11 <sup>13</sup> / <sub>32</sub>	245
53000100	100	400	4 <sup>3</sup> / <sub>16</sub>	6 <sup>5</sup> / <sub>16</sub>	18 <sup>3</sup> / <sub>16</sub>	5 <sup>29</sup> / <sub>32</sub>	39 <sup>3</sup> / <sub>8</sub>	4 <sup>5</sup> / <sub>16</sub>	3 <sup>15</sup> / <sub>16</sub>	8 <sup>3</sup> / <sub>32</sub>	4 <sup>2</sup> / <sub>32</sub>	3 <sup>7</sup> / <sub>8</sub>	12 <sup>19</sup> / <sub>32</sub>	392
53000125	125	500	5 <sup>3</sup> / <sub>16</sub>	7 <sup>3</sup> / <sub>32</sub>	20 <sup>1</sup> / <sub>32</sub>	6 <sup>1</sup> / <sub>16</sub>	41 <sup>1</sup> / <sub>32</sub>	4 <sup>7</sup> / <sub>8</sub>	4 <sup>5</sup> / <sub>16</sub>	10 <sup>1</sup> / <sub>4</sub>	5 <sup>3</sup> / <sub>16</sub>	4 <sup>3</sup> / <sub>16</sub>	11 <sup>1</sup> / <sub>32</sub>	549
53000160	160	640	5 <sup>3</sup> / <sub>8</sub>	7 <sup>7</sup> / <sub>8</sub>	23	7 <sup>15</sup> / <sub>32</sub>	43 <sup>5</sup> / <sub>16</sub>	5 <sup>7</sup> / <sub>16</sub>	5 <sup>1</sup> / <sub>8</sub>	11 <sup>13</sup> / <sub>16</sub>	5 <sup>29</sup> / <sub>32</sub>	4 <sup>23</sup> / <sub>32</sub>	11 <sup>1</sup> / <sub>32</sub>	798
53000200	200	800	6 <sup>3</sup> / <sub>16</sub>	8 <sup>13</sup> / <sub>16</sub>	25 <sup>1</sup> / <sub>2</sub>	8 <sup>1</sup> / <sub>32</sub>	47 <sup>1</sup> / <sub>4</sub>	6 <sup>5</sup> / <sub>16</sub>	5 <sup>1</sup> / <sub>8</sub>	13 <sup>25</sup> / <sub>32</sub>	6 <sup>1</sup> / <sub>16</sub>	5 <sup>1</sup> / <sub>32</sub>	11 <sup>1</sup> / <sub>32</sub>	1093
53000250	250	1000	7 <sup>13</sup> / <sub>32</sub>	9 <sup>27</sup> / <sub>32</sub>	29 <sup>3</sup> / <sub>8</sub>	9 <sup>9</sup> / <sub>32</sub>	49 <sup>3</sup> / <sub>32</sub>	7 <sup>3</sup> / <sub>32</sub>	5 <sup>23</sup> / <sub>32</sub>	14 <sup>3</sup> / <sub>16</sub>	7 <sup>15</sup> / <sub>32</sub>	5 <sup>29</sup> / <sub>32</sub>	11 <sup>13</sup> / <sub>16</sub>	1479
53000300	300	1200	8 <sup>1</sup> / <sub>16</sub>	11 <sup>1</sup> / <sub>32</sub>	32 <sup>15</sup> / <sub>32</sub>	10 <sup>3</sup> / <sub>16</sub>	51 <sup>3</sup> / <sub>32</sub>	7 <sup>15</sup> / <sub>32</sub>	6 <sup>3</sup> / <sub>16</sub>	15 <sup>15</sup> / <sub>16</sub>	8 <sup>11</sup> / <sub>32</sub>	6 <sup>3</sup> / <sub>16</sub>	11 <sup>13</sup> / <sub>16</sub>	1742
53000400	400	1600	8 <sup>3</sup> / <sub>8</sub>	12 <sup>1</sup> / <sub>32</sub>	36 <sup>3</sup> / <sub>32</sub>	11 <sup>13</sup> / <sub>16</sub>	55 <sup>1</sup> / <sub>2</sub>	8 <sup>1</sup> / <sub>4</sub>	7 <sup>3</sup> / <sub>32</sub>	18 <sup>3</sup> / <sub>16</sub>	9 <sup>9</sup> / <sub>32</sub>	7 <sup>3</sup> / <sub>32</sub>	11 <sup>13</sup> / <sub>16</sub>	2346

Tolerance: Forged parts ± 5%, machined parts ± 1/32 inch

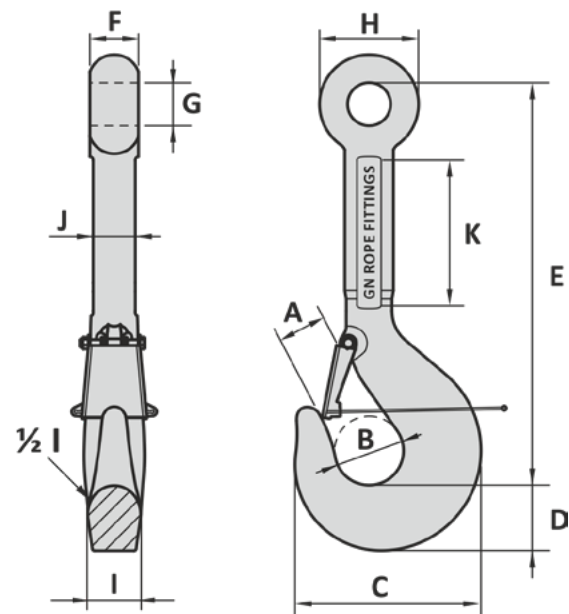
19-08-2022

Material : Alloy steel  
 Safety factor : 4 times  
 Finish : Painted  
 Temperature range : -40°C up to +200°C, Polar Rated  
 Standard certification : Certificate of Conformity  
 3.1 material certificate EN 10204

Spare latches available on request



Type for hook WLL 5.4 ton ≤ WLL 80 ton



Type for hook WLL 100 ton ≤ WLL 400 ton

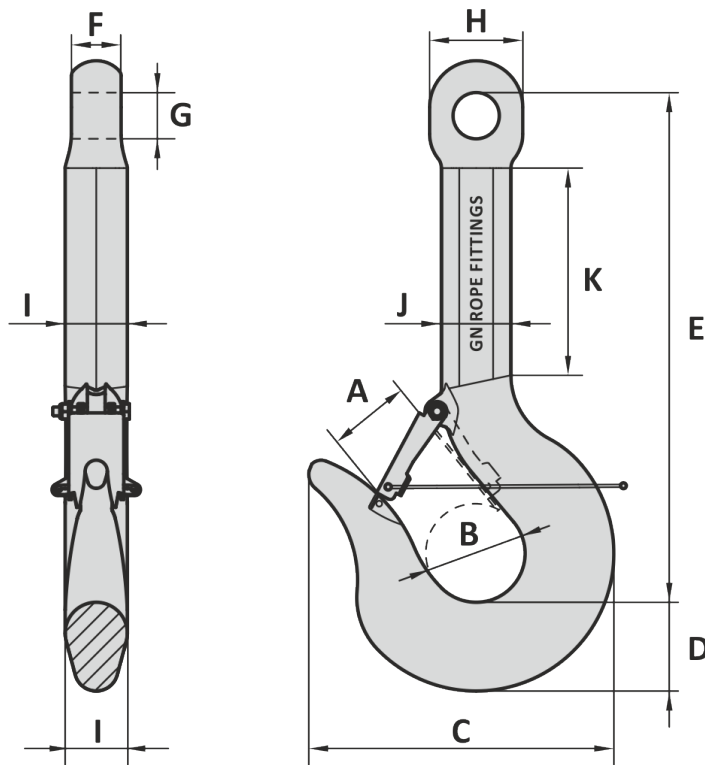
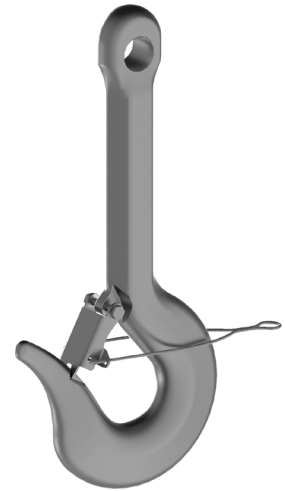
Art. No.	WLL ton	MBL ton	A mm	B mm	C mm	D mm	E mm	F mm	G mm	H mm	I mm	J mm	K mm	Weight kg
53000040	40	160	69	100	316	95	820	70	70	150	75	85	330	47
53000050	50	200	76	112	343	106	850	80	78	162	85	100	350	62
53000063	63	252	84	125	376	118	1000	85	86	180	95	110	360	92
53000080	80	320	97	140	418	132	950	100	86	200	106	120	290	111
53000100	100	400	110	160	462	150	1000	110	100	228	118	98	320	178
53000125	125	500	132	180	509	170	1050	124	110	260	132	106	280	249
53000160	160	640	137	200	584	190	1100	138	130	300	150	120	280	362
53000200	200	800	167	224	648	212	1200	160	130	350	170	136	280	496
53000250	250	1000	188	250	740	236	1250	180	145	370	190	150	300	671
53000300	300	1200	205	280	825	265	1320	190	160	405	212	160	300	790
53000400	400	1600	225	315	920	300	1400	210	185	465	236	180	300	1064

Tolerance: Forged parts ± 5%, machined parts ± 1 mm

19-08-2022

Material : Alloy steel  
 Safety factor : 4 times  
 Finish : Painted  
 Temperature range : -40°C up to +200°C, Polar Rated  
 Standard certification : Certificate of Conformity  
 3.1 material certificate EN 10204

Spare latches available on request



Art. No.	WLL ton	A mm	B mm	C mm	D mm	E mm	F mm	G mm	H mm	I mm	J mm	K mm	Weight kg
53100006	6.5	40	55	182	50	400	30	28	60	45	50	225	8
53100008	8.5	54	68	208	55	450	30	31	75	50	56	228	11
53100012	12	63	80	254	70	480	41	40	78	55	61	227	16
53100017	17	71	90	297	85	514	48	44	88	60	67	226	22
53100025	25	92	110	344	100	574	56	52	105	70	78	233	34
53100035	35	108	130	395	120	628	58	60	124	85	96	230	56

Tolerance: Forged parts ± 5%, machined parts ± 1 mm

Art. No.	WLL ton	A inch	B inch	C inch	D inch	E inch	F inch	G inch	H inch	I inch	J inch	K inch	Weight lbs
53100006	6.5	1 9/16	2 1/2	7 1/2	1 31/32	16 3/4	1 3/16	1 1/32	2 3/8	1 25/32	1 31/32	8 7/8	18
53100008	8.5	2 1/8	2 11/16	8 3/16	2 5/32	18 29/32	1 3/16	1 1/32	2 15/16	1 31/32	2 3/16	8 31/32	24
53100012	12	2 15/32	3 5/32	10	2 3/4	20 1/16	1 5/8	1 1/16	3 1/16	2 5/32	2 13/32	8 15/16	35
53100017	17	2 13/16	3 9/16	11 11/16	3 11/32	21 21/32	1 7/8	1 1/4	3 15/32	2 3/8	2 5/8	8 29/32	49
53100025	25	3 3/8	4 1/16	13 3/16	3 15/16	24	2 3/16	2 1/16	4 1/8	2 3/4	3 1/16	9 3/16	75
53100035	35	4 1/4	5 1/8	15 1/16	4 23/32	26 3/8	2 9/32	2 3/8	4 7/8	3 11/32	3 25/32	9 1/16	123

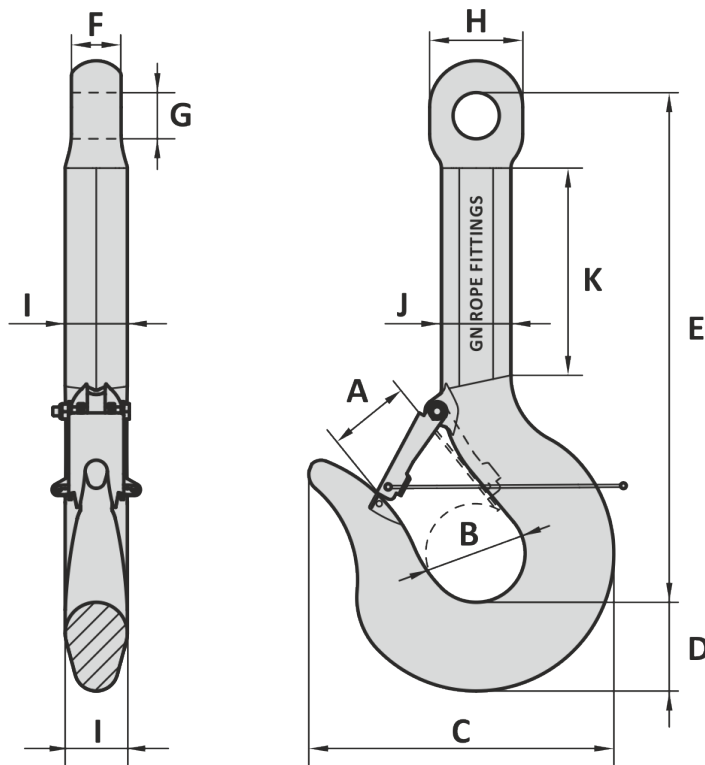
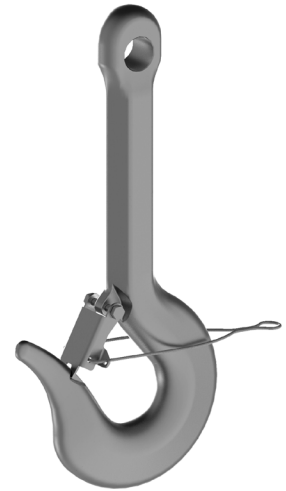
Tolerance: Forged parts ± 5%, machined parts ± 1/32 inch

05-07-2022



Material : Alloy steel  
 Safety factor : 4 times  
 Finish : Painted  
 Temperature range : -40°C up to +200°C, Polar Rated  
 Standard certification : Certificate of Conformity  
 3.1 material certificate EN 10204

Spare latches available on request



Art. No.	WLL ton	A mm	B mm	C mm	D mm	E mm	F mm	G mm	H mm	I mm	J mm	K mm	Weight kg
53100006	6.5	40	55	182	50	400	30	28	60	45	50	225	8
53100008	8.5	54	68	208	55	450	30	31	75	50	56	228	11
53100012	12	63	80	254	70	480	41	40	78	55	61	227	16
53100017	17	71	90	297	85	514	48	44	88	60	67	226	22
53100025	25	92	110	344	100	574	56	52	105	70	78	233	34
53100035	35	108	130	395	120	628	58	60	124	85	96	230	56

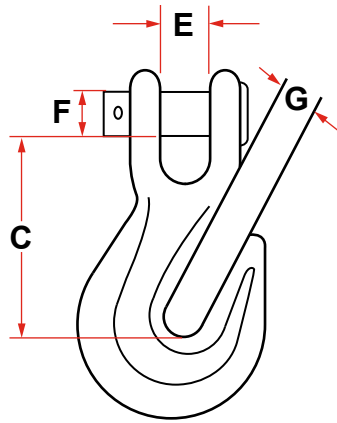
Tolerance: Forged parts ± 5%, machined parts ± 1 mm

Art. No.	WLL ton	A inch	B inch	C inch	D inch	E inch	F inch	G inch	H inch	I inch	J inch	K inch	Weight lbs
53100006	6.5	1 9/16	2 1/2	7 3/2	1 31/32	16 3/4	1 3/16	1 1/2	2 3/8	1 25/32	1 31/32	8 7/8	18
53100008	8.5	2 1/8	2 11/16	8 3/16	2 5/32	18 29/32	1 3/16	1 1/2	2 15/16	1 31/32	2 3/16	8 31/32	24
53100012	12	2 15/32	3 5/32	10	2 3/4	20 1/16	1 5/8	1 1/16	3 1/16	2 5/32	2 13/32	8 15/16	35
53100017	17	2 13/16	3 9/16	11 11/16	3 11/32	21 21/32	1 7/8	1 3/4	3 15/32	2 3/8	2 5/8	8 29/32	49
53100025	25	3 3/8	4 1/16	13 3/16	3 15/16	24	2 3/16	2 1/16	4 1/8	2 3/4	3 1/16	9 3/16	75
53100035	35	4 1/4	5 1/8	15 1/16	4 23/32	26 3/8	2 9/32	2 3/8	4 7/8	3 11/32	3 25/32	9 1/16	123

Tolerance: Forged parts ± 5%, machined parts ± 1/32 inch

05-07-2022

# CHAIN HOOKS



## CLEVIS GRAB HOOK

SIZE OF CHAIN	RATED LOAD POUNDS			APPROXIMATE DIMENSIONS (INCHES)				WEIGHT POUNDS EACH
	HIGH TEST	TRANSPORT	LOW ALLOY	C	E	F	G	
1/4	2600	3150	3600	1-13/16	7/16	3/8	11/32	0.36
5/16	3900	4700	5400	2-5/32	1/2	7/16	7/16	0.60
3/8	5400	6600	7500	2-15/32	19/32	15/32	1/2	1.00
7/16	7200	8750	10000	2-25/32	21/32	9/16	9/16	1.31
1/2	9200	11300	12750	3-7/32	3/4	5/8	21/32	2.06
5/8	12750	16500	19000	4-3/32	29/32	3/4	25/32	4.25
3/4	18500		27000	4-5/8	15/16	7/8	15/16	7.19